



SECURIFORT
INC

Catalogue

DÉCEMBRE 2010

Securifort Inc.
45, Cayouette
Tingwick, Qc J0A 1L0

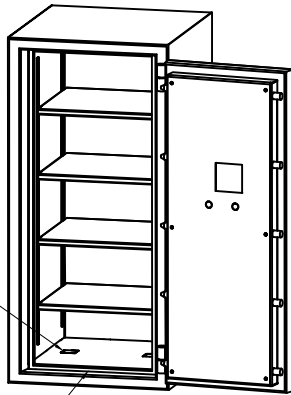
Site Web : <http://www.securifort.com/>
Courriel : info@securifort.com

Non responsable des erreurs typographiques. Le fabricant se réserve le droit de faire les modifications nécessaires. Divulgence non autorisée d'un dessin sans l'autorisation écrite expresse de Securifort Inc est strictement interdite.

Double Protection FIRE-BURGLARY

BUILT WITH BANK LEVEL ALLOY

(60 MINUTES FIRE RESISTIVE)



ANCHOR HOLES

FIRE RETARDER

CONSTRUCTION

BODY AND DOOR 2 1/2" THICK
INCLUDING BANK LEVEL ALLOY.

MECHANISM

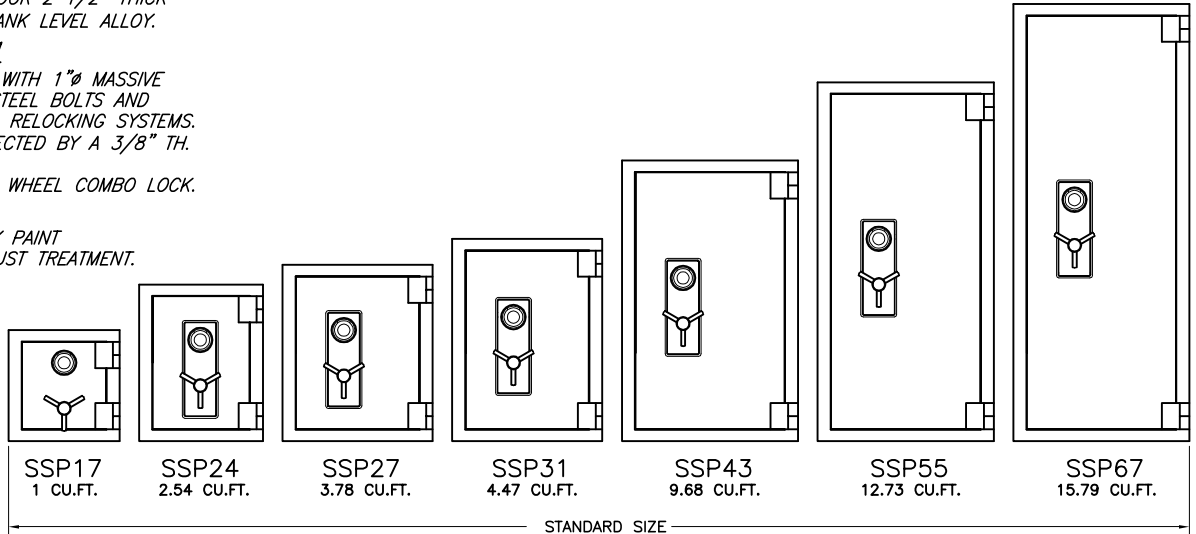
-MECHANISM WITH 1"Ø MASSIVE
STAINLESS STEEL BOLTS AND
2 AUTOMATIC RELOCKING SYSTEMS.
-LOCK PROTECTED BY A 3/8" TH.
HARD PLATE.
-S&G GR2 3 WHEEL COMBO LOCK.
FINISH

HIGH QUALITY PAINT
WITH ANTI-RUST TREATMENT.

MODELS	DOOR SWING DIMENSIONS	
	"A"	"B"
SSP17	34 3/4"	30 3/4"
SSP24	41 1/4"	34 3/4"
SSP27	45 1/4"	42 3/4"
SSP31	45 1/4"	42 3/4"
SSP43	52 3/4"	50 1/2"
SSP55	52 3/4"	50 1/2"
SSP67	52 3/4"	50 1/2"

OPTIONS

- INTERIOR COMPARTMENTS.
- ELECTRONIC LOCK.
- RELOCK GLASS.
- 2 ANCHOR HOLES 3/4"Ø,
OPTIONAL ON MODELS #SSP-43 to SSP-67 &
STANDARD ON MODELS #SSP-17 to SSP-31.



SSP17
1 CU.FT.

SSP24
2.54 CU.FT.

SSP27
3.78 CU.FT.

SSP31
4.47 CU.FT.

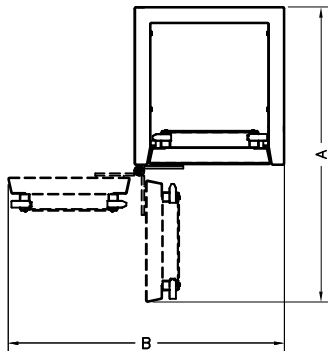
SSP43
9.68 CU.FT.

SSP55
12.73 CU.FT.

SSP67
15.79 CU.FT.

STANDARD SIZE

HIGH SECURITY PRODUCTS
BANKING AND COMMERCIAL



MODELS	INSIDE DIMENSIONS			OUTSIDE DIMENSIONS			CLEAR OPEN.		OVERALL DEPTH	WEIGHT	SHELVES QTY
	HEIGHT	WIDTH	DEPTH	HEIGHT	WIDTH	DEPTH	HEIGHT	WIDTH			
SSP17 : CS-M121212-CL2	12"	12"	12"	17"	17"	19 3/4"	12"	10 1/2"	21 1/2"	385 lbs	1
SSP24 : CS-M191417-CL2	19"	14"	16 1/2"	24"	19"	24 1/4"	19"	12 1/2"	26"	640 lbs	1
SSP27 : CS-M221817-CL2	22"	18"	16 1/2"	27"	23"	24 1/4"	22"	16 1/2"	26"	800 lbs	2
SSP31 : CS-M261817-CL2	26"	18"	16 1/2"	31"	23"	24 1/4"	26"	16 1/2"	26"	890 lbs	2
SSP43 : CS-M382220-CL2	38"	22"	20"	43"	27"	27 3/4"	38"	20 1/2"	29 1/2"	1420 lbs	3
SSP55 : CS-M502220-CL2	50"	22"	20"	55"	27"	27 3/4"	50"	20 1/2"	29 1/2"	1740 lbs	3
SSP67 : CS-M622220-CL2	62"	22"	20"	67"	27"	27 3/4"	62"	20 1/2"	29 1/2"	2060 lbs	4

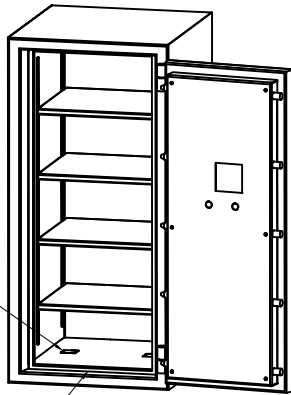


SUPER-PRO
CLASS 2 SAFE

DATE	DRAWN BY	DRAWING NO
23 01 08	CV	CS-CL2

Double Protection FIRE-BURGLARY CLASS "B"

(60 MINUTES FIRE RESISTIVE)



CONSTRUCTION

BODY AND DOOR 2 1/2" THICK
INCLUDING LIGHT FIRE RESISTIVE ALLOY.

MECHANISM

-MECHANISM WITH 1"Ø MASSIVE
STAINLESS STEEL BOLTS AND
2 AUTOMATIC RELOCKING SYSTEMS.
-LOCK PROTECTED BY A 3/8" TH.
HARD PLATE.
-S&G GR2 3 WHEEL COMBO LOCK.
FINISH

HIGH QUALITY PAINT
WITH ANTI-RUST TREATMENT.

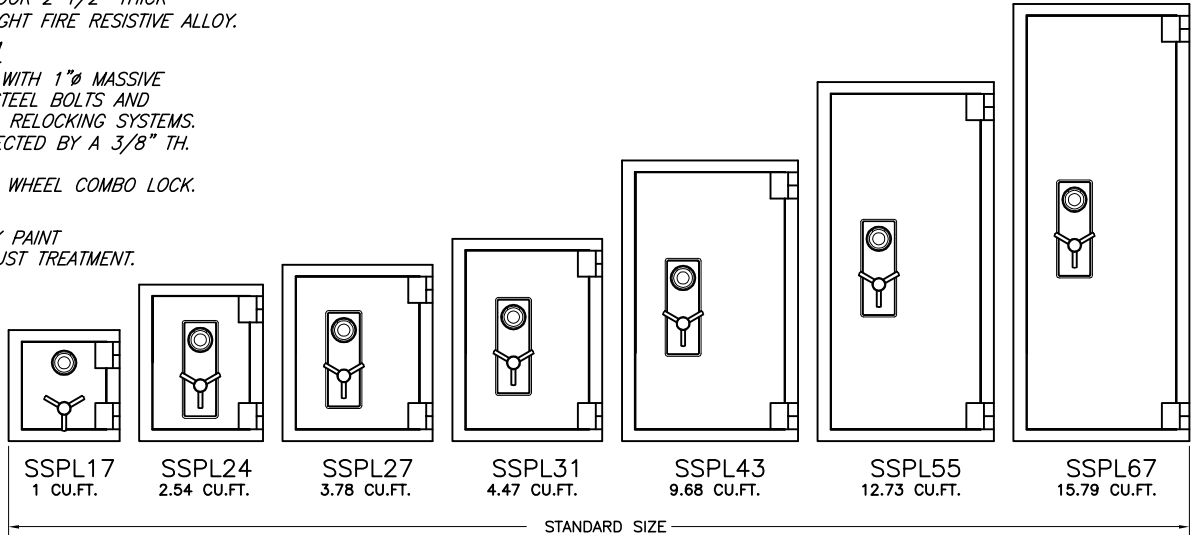
ANCHOR HOLES

FIRE RETARDER

MODELS	DOOR SWING DIMENSIONS	
	"A"	"B"
SSPL17	34 3/4"	30 3/4"
SSPL24	41 1/4"	34 3/4"
SSPL27	45 1/4"	42 3/4"
SSPL31	45 1/4"	42 3/4"
SSPL43	52 3/4"	50 1/2"
SSPL55	52 3/4"	50 1/2"
SSPL67	52 3/4"	50 1/2"

OPTIONS

- INTERIOR COMPARTMENTS.
- ELECTRONIC LOCK.
- RELOCK GLASS.
- 2 ANCHOR HOLES 3/4"Ø,
OPTIONAL ON MODELS #SSPL-43 to SSPL-67 &
STANDARD ON MODELS #SSPL-17 to SSPL-31.



SSPL17
1 CU.FT.

SSPL24
2.54 CU.FT.

SSPL27
3.78 CU.FT.

SSPL31
4.47 CU.FT.

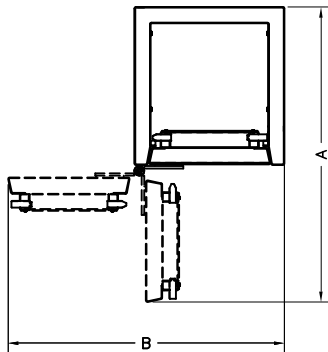
SSPL43
9.68 CU.FT.

SSPL55
12.73 CU.FT.

SSPL67
15.79 CU.FT.

STANDARD SIZE

**HIGH SECURITY PRODUCTS
BANKING AND COMMERCIAL**

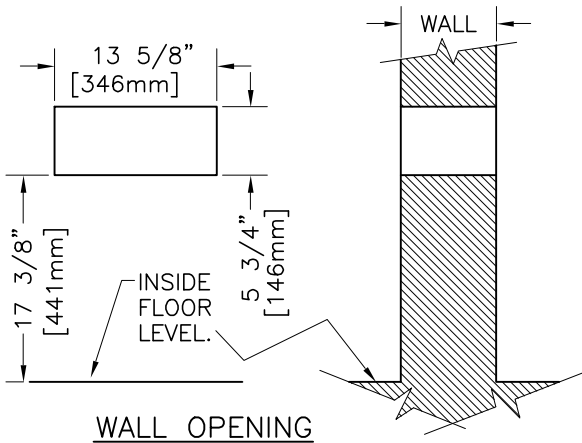
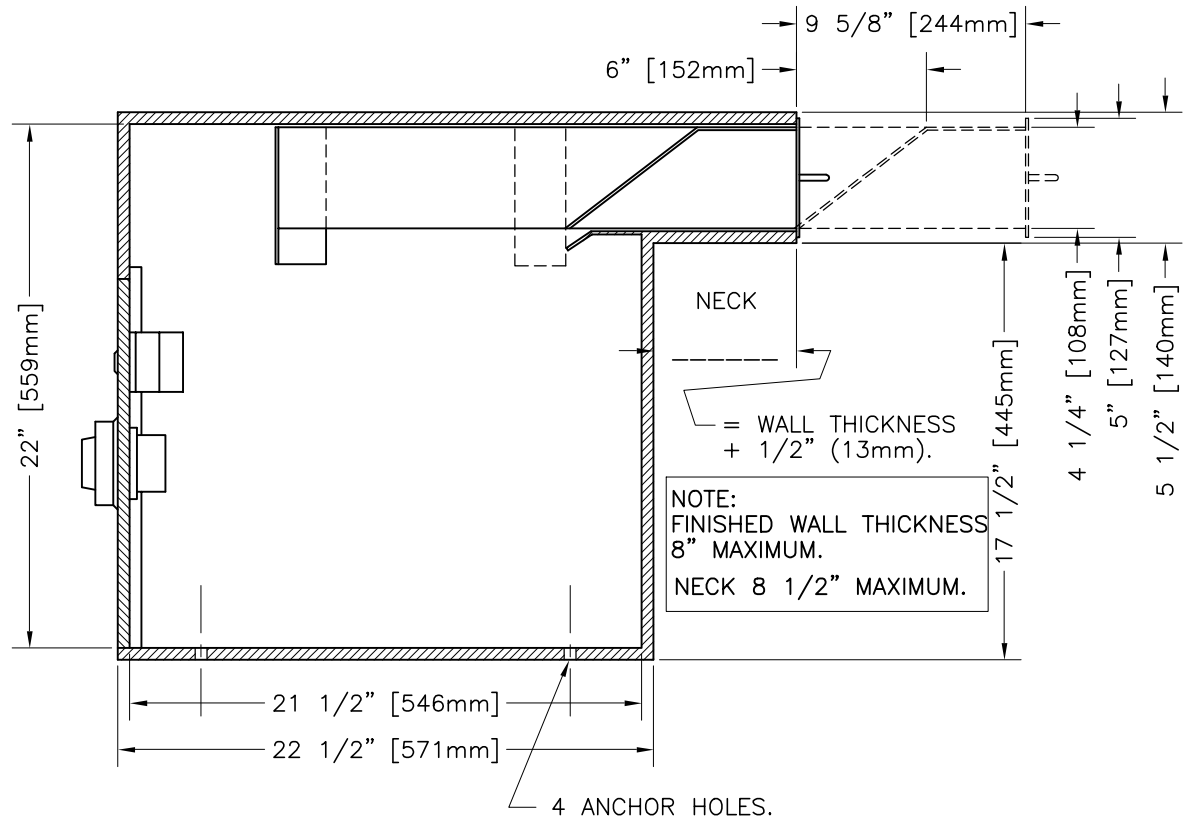
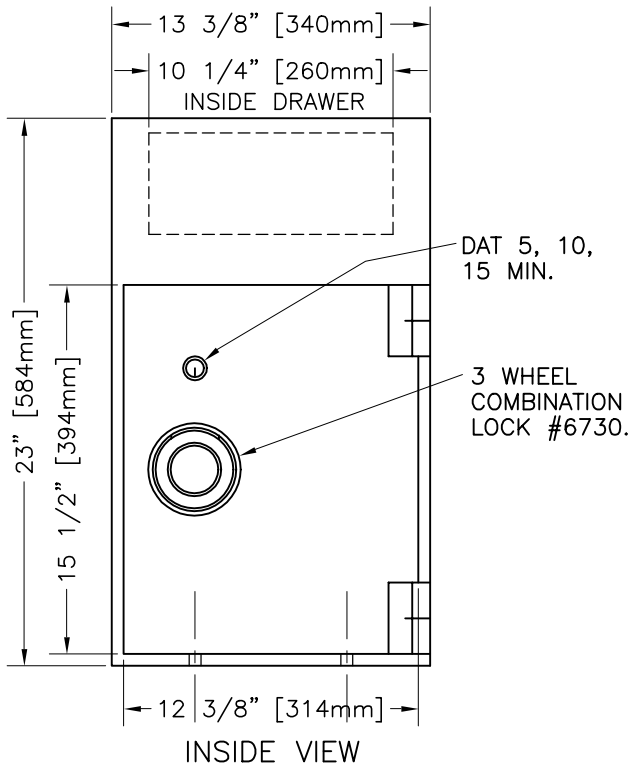


MODELS	INSIDE DIMENSIONS			OUTSIDE DIMENSIONS			CLEAR OPEN.		OVERALL DEPTH	WEIGHT	SHELVES QTY
	HEIGHT	WIDTH	DEPTH	HEIGHT	WIDTH	DEPTH	HEIGHT	WIDTH			
SSPL17 : CS-M121212-CL2	12"	12"	12"	17"	17"	19 3/4"	12"	10 1/2"	21 1/2"	170 lbs	1
SSPL24 : CS-M191417-CL2	19"	14"	16 1/2"	24"	19"	24 1/4"	19"	12 1/2"	26"	260 lbs	1
SSPL27 : CS-M221817-CL2	22"	18"	16 1/2"	27"	23"	24 1/4"	22"	16 1/2"	26"	330 lbs	2
SSPL31 : CS-M261817-CL2	26"	18"	16 1/2"	31"	23"	24 1/4"	26"	16 1/2"	26"	380 lbs	2
SSPL43 : CS-M382220-CL2	38"	22"	20"	43"	27"	27 3/4"	38"	20 1/2"	29 1/2"	570 lbs	3
SSPL55 : CS-M502220-CL2	50"	22"	20"	55"	27"	27 3/4"	50"	20 1/2"	29 1/2"	670 lbs	3
SSPL67 : CS-M622220-CL2	62"	22"	20"	67"	27"	27 3/4"	62"	20 1/2"	29 1/2"	770 lbs	4



**SUPER-PRO
CLASS B SAFE
Light Serie**

DATE	DRAWN BY	DRAWING NO
23 01 08	RM	CS-CL2 LIGHT



WEIGHT= 330 Lbs. (150 kg).

1	23 01 98	REDRAW		RM
NO	DATE	REVISION		BY
		TITLE		
		DEPOSIT LOCKER		
date 23 11 94		DRAWN BY	APP ED BY	SCALE
		R M		3/16" = 1"
PART NO		DRAWING NO		
		PB 243 B		

13 09 01	2MODELS ADDED #4934-26 & 6529-20	RM
01 06 99	CLASS 4 & 5 WAS TRTL-30	RM
22 09 97	YOKE OPTION DETAIL ADDED	RM
05 02 97	MODEL #6534-20 ADDED	RM
NO	DATE	REVISION
		BY

The Ultimate in Burglary Safe

PROTECTION AGAINST TORCH-TOOL-EXPLOSIVE

FINISH

HIGH QUALITY PAINT FINISH (COLOR OF YOUR CHOICE) PEBBLE STYLE.

SHELF

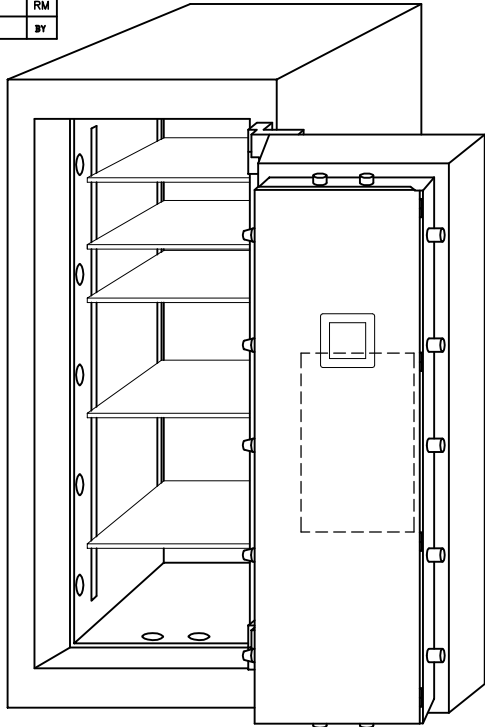
HEAVY DUTY ADJUSTABLE AND REMOVABLE SHELVES.

CONSTRUCTION

FIRE AND BURGLAR 5" TH. PROVEN TORCH AND TOOL ALLOY MATERIAL.

BOLT CHAMBER

UP TO FOURTEEN BOLT HOLES BUILT IN BODY FOR BETTER BURGLAR PROTECTION AND EXPLOSIVE ATTACK, WITH MAXIMUM SPACE UTILISATION.



HINGES

HIGH QUALITY DESIGN FITTED WITH COPPER BUSHING ALLOWING TO OPEN UP TO 280°.

BOLTWORK

- THREE WAY MECHANISM WITH TWO TOP AND BOTTOM 1 1/2" Ø BOLTS.
- UP TO NINE MOVABLE AND FIVE FIX 1 1/2" Ø BOLTS.
- SIX RELOCKING DEVICES MECHANICAL / THERMIC.
- LARGE GLASS PLATE SECURING COMBINATION LOCKS AND RELOCKING DEVICES.

LOCKS

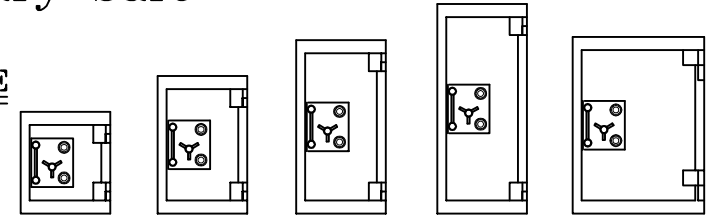
- DOOR FITTED WITH :
- (2) THREE WHEEL GROUP 1 COMBINATION LOCKS.
 - OR - (1) GROUP 1 COMBINATION LOCK AND 1 KEY-OP LOCK.

OPTIONS

- ⚠ YOKE (Not available for 2420-20 model).
- ONLY AVAILABLE WITH (2) FOUR WHEEL GROUP 1 (INDIRECT DRIVE) COMBINATION LOCKS.

TIMELOCK

- TWO OR THREE MOVEMENTS AS SPECIFIED.



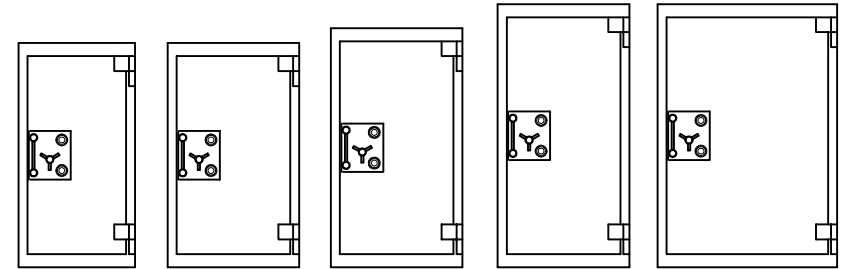
2420
5.56 cu.ft.

3620
8.33 cu.ft.

4820
11.11 cu.ft.

6020
13.89 cu.ft.

4934
25.07 cu.ft.



6529
21.81 cu.ft.

6534
25.58 cu.ft.(20" D.)
33.25 cu.ft.(26" D.)

7034
35.81 cu.ft.

7834
39.9 cu.ft.

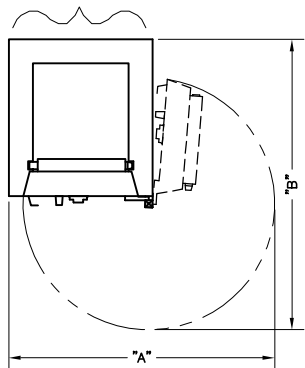
7850
58.68 cu.ft.

SPECIAL SIZE AVAILABLE ON REQUEST.

NOTE : MANUFACTURED & CERTIFIED SECURIFORT SAFE BUILT TO ULC S324-93 STANDARDS.

SIZE

FOUR DIFFERENT WIDTHS AVAILABLE
20" - 29" - 34" - 50".

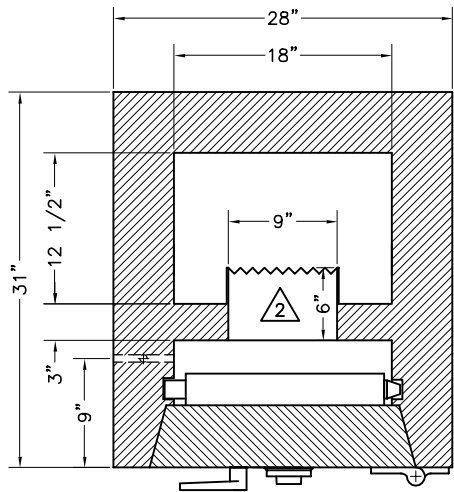


MODELS	DOOR SWING DIMENSIONS		INSIDE DIMENSIONS			OUTSIDE DIMENSIONS			OVERALL DEPTH	WEIGHT Class 4	WEIGHT Class 5	SHELVES QTY
	"A"	"B"	HEIGHT	WIDTH	DEPTH	HEIGHT	WIDTH	DEPTH				
2420-20	55 1/2"	60 3/4"	24"	20"	20"	34"	30"	32 3/4"	35 1/4"	2225 lbs	2450 lbs	2
3620-20	55 1/2"	60 3/4"	36"	20"	20"	46"	30"	32 3/4"	35 1/4"	2875 lbs	3150 lbs	3
4820-20	55 1/2"	60 3/4"	48"	20"	20"	58"	30"	32 3/4"	35 1/4"	3500 lbs	3850 lbs	4
6020-20	55 1/2"	60 3/4"	60"	20"	20"	70"	30"	32 3/4"	35 1/4"	4150 lbs	4550 lbs	5
4934-26	83"	81"	49"	34"	26"	59"	44"	38 3/4"	41 3/4"	5695 lbs	6075 lbs	4
6529-20	73"	70"	65"	29"	20"	75"	39"	32 3/4"	35 3/4"	5205 lbs	5680 lbs	5
6534-20	83"	75"	65"	34"	20"	75"	44"	32 3/4"	35 3/4"	5770 lbs	6275 lbs	5
6534-26	83"	81"	65"	34"	26"	75"	44"	38 3/4"	41 3/4"	6475 lbs	7075 lbs	5
7034-26	83"	81"	70"	34"	26"	80"	44"	38 3/4"	41 3/4"	6870 lbs	7500 lbs	6
7834-26	83"	81"	78"	34"	26"	88"	44"	38 3/4"	41 3/4"	7450 lbs	8125 lbs	6
7850-26	115"	95 3/4"	78"	50"	26"	88"	60"	38 3/4"	41 3/4"	9400 lbs	10225 lbs	6

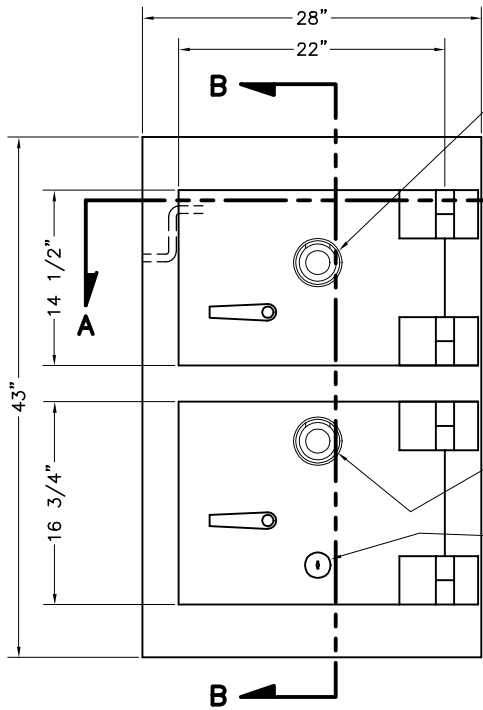


SENTINEL SAFE
Class 4 & 5.

DATE	DRAWN BY	DRAWING NO
30 09 96	RM	PB 505



SECTION A A

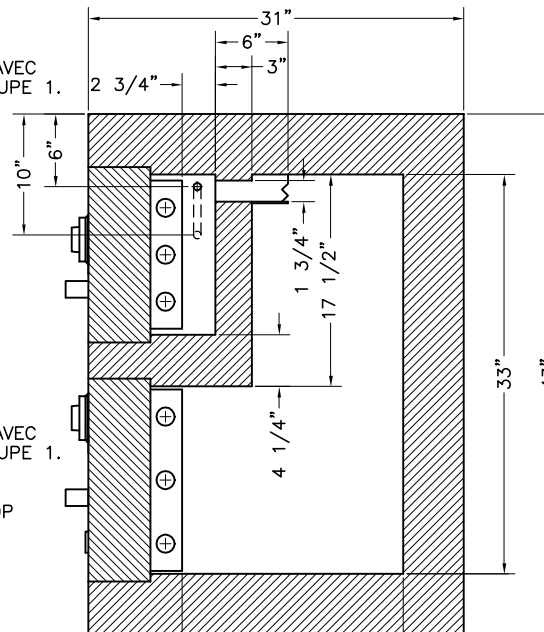


ELEVATION

CADRAN ANTI-ESPION AVEC
SERRURE # 8550 GROUPE 1.

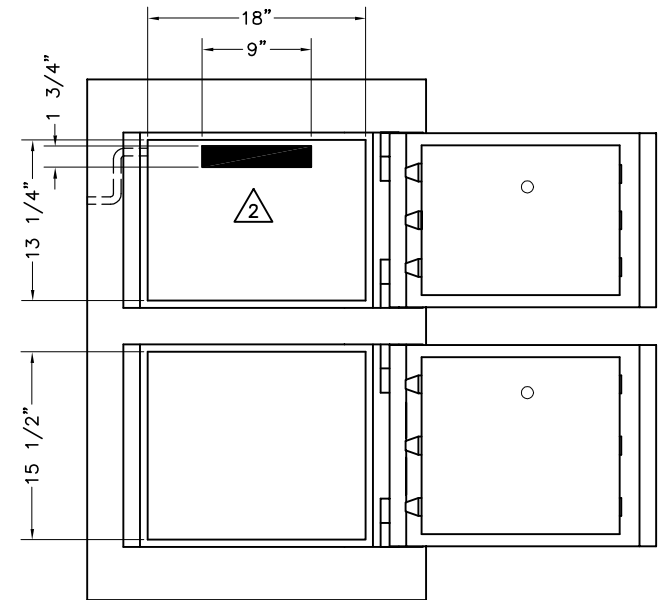
CADRAN ANTI-ESPION AVEC
SERRURE # 8550 GROUPE 1.

SERRURE A CLEF KEYOP
6804.



SECTION B B

△				
2	11 01 01	OUV. 1 3/4 X 9 ETAIT 1 X 5	RM	
1	19 04 99	Class 4 or 5 was TRTL-30 x6	RM	
NO	DATE	REVISION	BY	

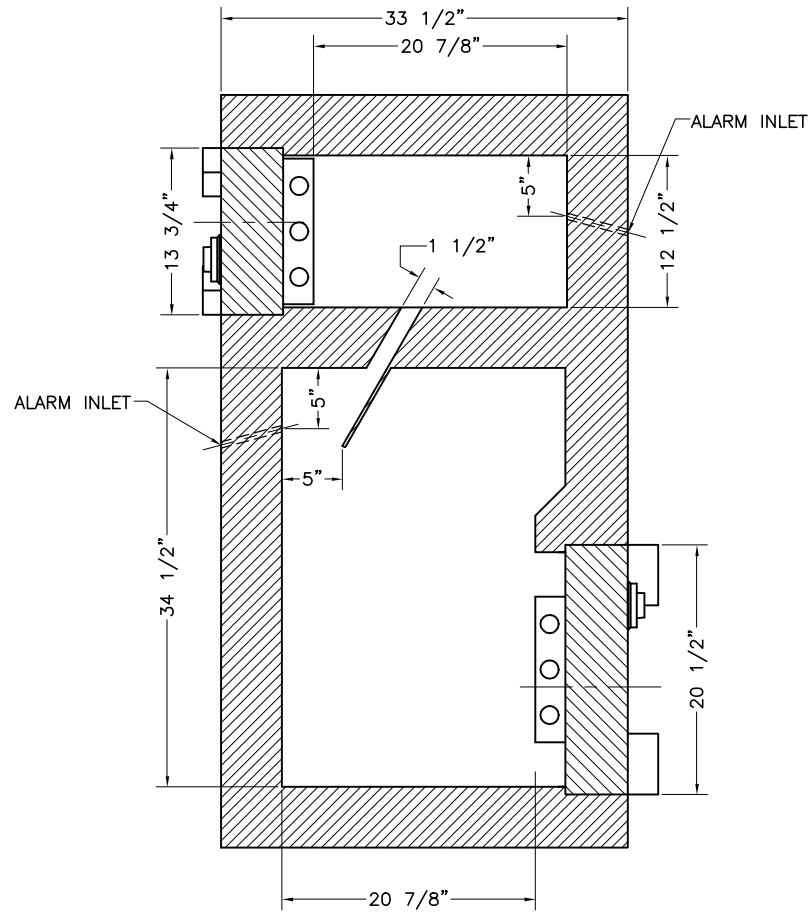


VUE INTERIEURE

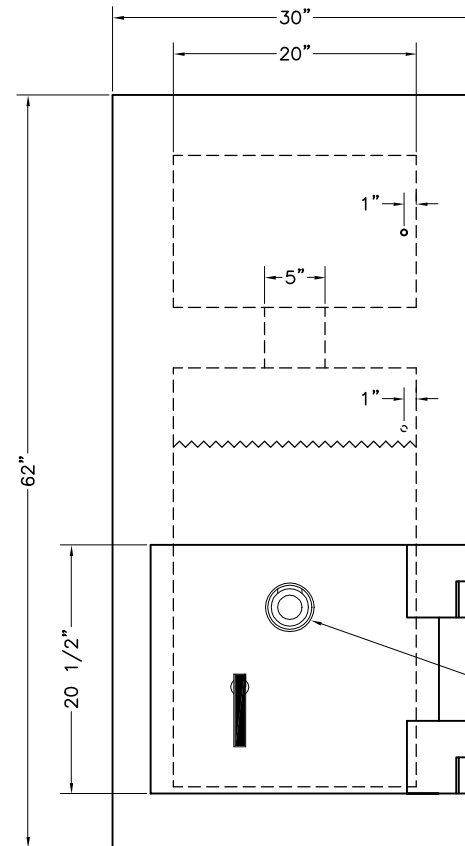
POIDS = 2850 LBS.

	TITRE		COFFRE-FORT A DEPOT.	
	APPLICATION		△ CLASSE 4 OU 5	
DATE	DESS PAR	APP'R PAR	ECHELLE	
11 05 95	R M		1/8 = 1	
PIECE NO		DESSIN NO		
		PC 152 A		

△			
△			
△			
1	19 04 99	Class 4 or 5 was TRTL-30	RM
NO	DATE	REVISION	BY



VERTICAL SECTION

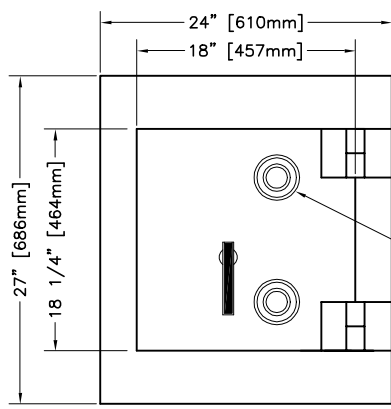
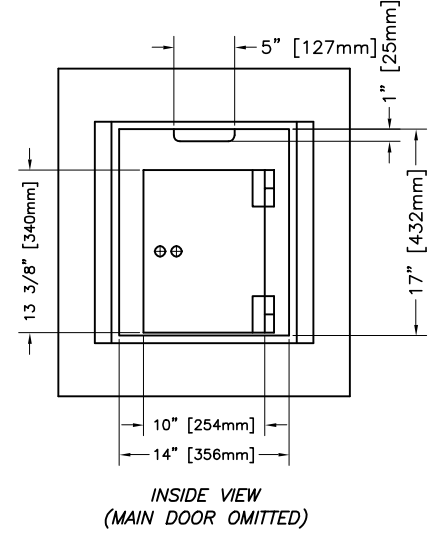
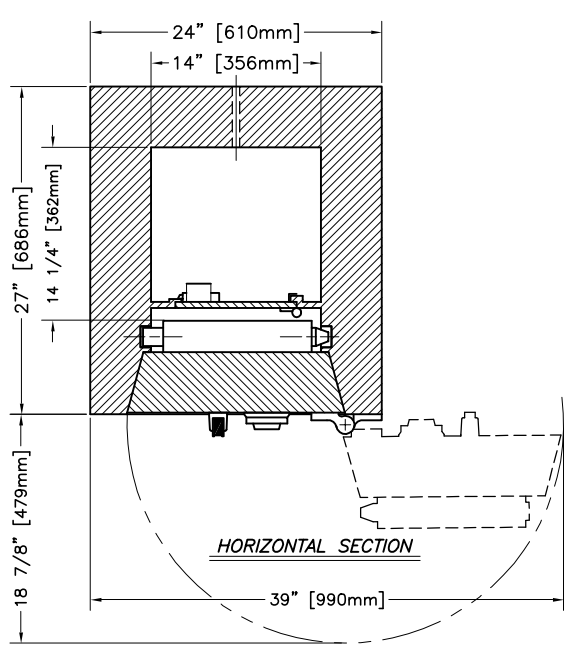


3 WHEELS COMBINATION LOCK GROUP I WITH SPYPROOF DIAL ON EACH DOOR.

WEIGHT: 5500 lbs.

		TITLE	
		2 DOORS SAFE.	
DATE		APPLICATION	
		CLASS 4 or 5	
12	09	95	R M
PART NO		APP ED BY	SCALE
			1/8 = 1
		DRAWING NO	
		PC 207	

1	19 04 99	Class 4 or 5 was TRTL-30 (x6)	RM
NO	DATE	REVISION	BY

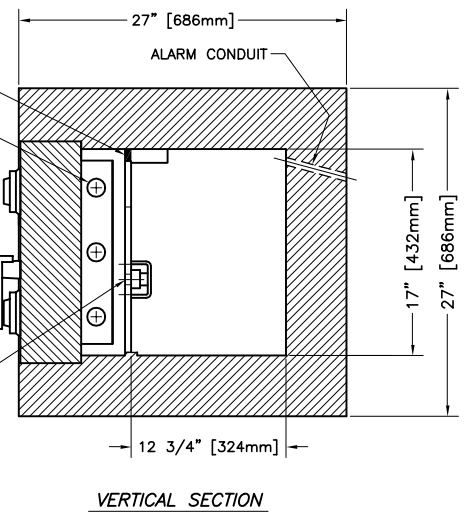


1" X 5" DROP SLOT

3-1 1/2" ϕ LOCKING BOLTS & 3-1 1/2" ϕ DEAD BOLTS..


1-3 WHEEL COMBINATION LOCK #8550 GROUP 1 WITH SPYPROOF DIAL (SECOND LOCK #8550 OR KEYOP LOCK #6804 OPTIONAL).

DUAL CONTROL KEY LOCK #4420 S&G WITH GARD LOCK.



WEIGHT= 1600 lbs.(725 kg).

VOLUME= 3034 cubic inches.



SECURIFORT
INC

TITLE

DEPOSITORY SAFE

"UNDERWRITERS' LABORATORIES OF CANADA" LISTED.

Class 4 or 5 BURGLARY.

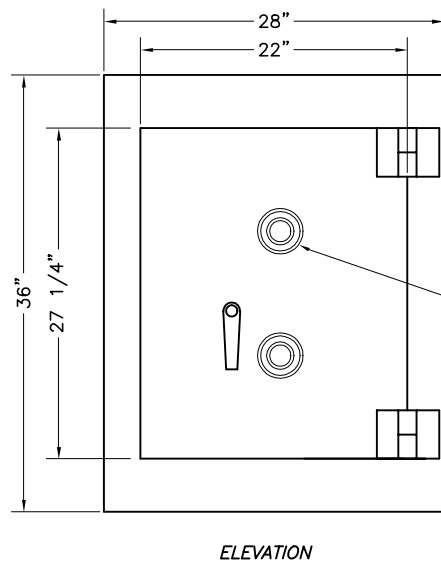
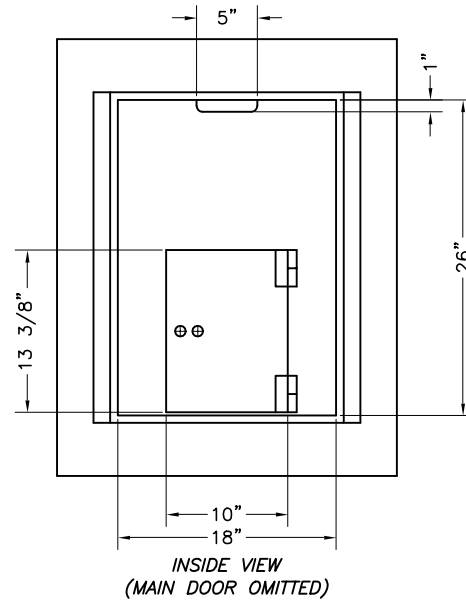
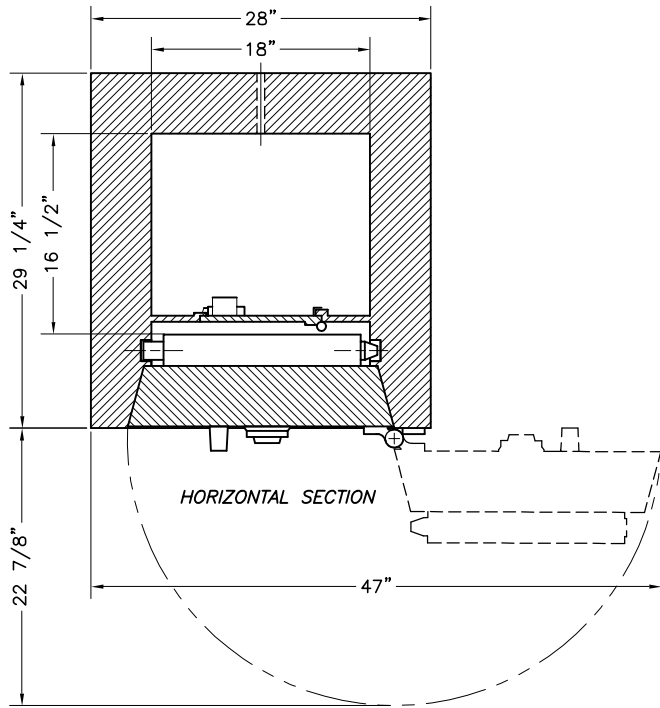
MODEL NO.

1714-12 3/4

DRAWING NO.

PC 346

DATE	DRAWN BY	APP'ED BY	SCALE
12 11 97	R M		1/8 = 1

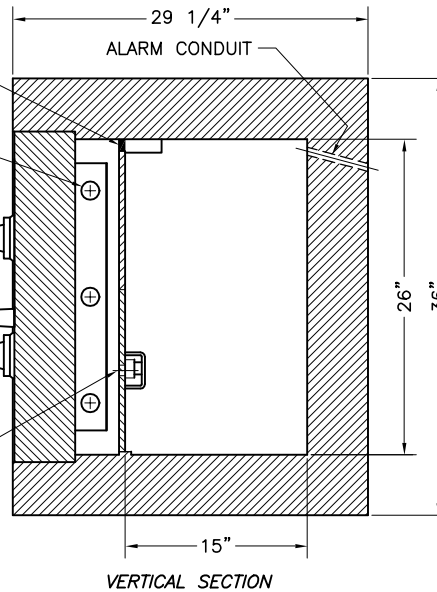


1" X 5" DROP SLOT

3- 1 1/2" ϕ LOCKING BOLTS & 3- 1 1/2" ϕ DEAD BOLTS.

1-3 WHEEL COMBINATION LOCK #8550 GROUP 1 WITH SPYPROOF DIAL. (SECOND LOCK #8550 OR KEYOP LOCK #6870 OPTIONAL).


DUAL CONTROL KEY LOCK #4420 S&G WITH GARD LOCK.



△			
△			
△			
1	19 04 99	Class 4 or 5 was TRTL-30 (x6)	RM
NO	DATE	REVISION	BY

WEIGHT= 2470 lbs.(1120 kg).

VOLUME= 7020 cubic inches.



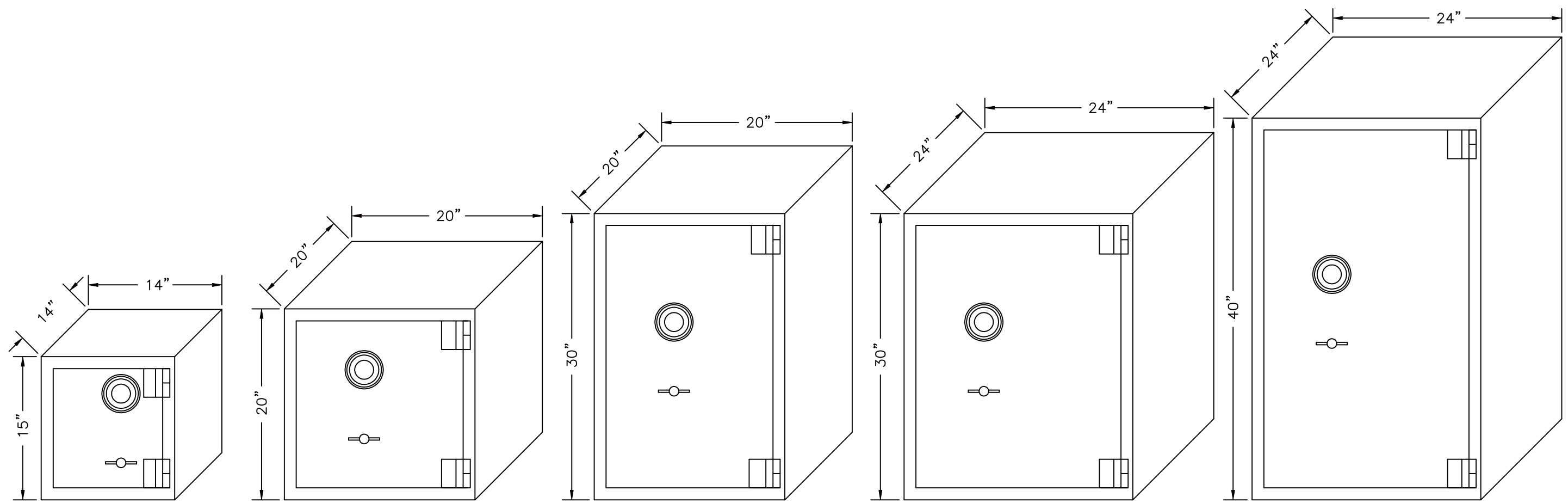
**SECURIFORT
INC**

TITLE

DEPOSITORY SAFE CLASS 4 OR 5 BURGLARY.

△ 1

MODEL NO.	2618-15	DRAWING NO.	PC 347
DATE	12 11 97	DRAWN BY	R M
		APP'ED BY	
		SCALE	1/8" = 1"



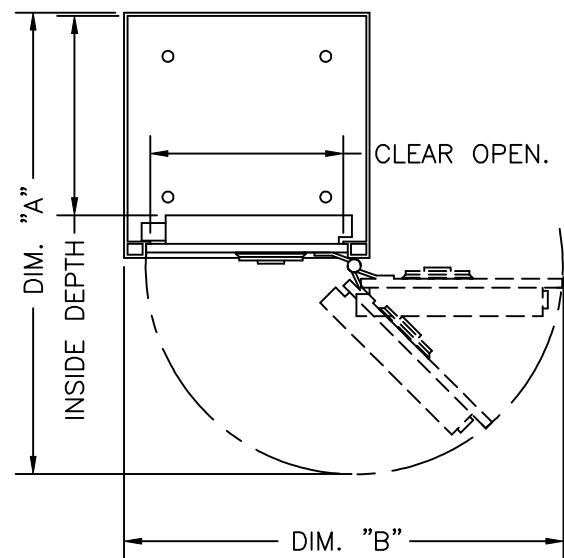
#B151414
1.31 CU. FT.

#B202020
3.87 CU. FT.

#B302020
5.85 CU. FT.

#B302424
8.66 CU. FT.

#B402424
11.58 CU. FT.



MODEL #	B151414	B202020	B302020	B302424	B402424
DIM. "A"	26 5/16"	38 5/16"	38 5/16"	46 5/16"	46 5/16"
DIM. "B"	25"	37"	37"	45"	45"
CL. OPENING	11"	17"	17"	21"	21"
INS. DEPTH	11 3/8"	17 3/8"	17 3/8"	21 3/8"	21 3/8"
Overall DEPTH	14 3/4"	20 3/4"	20 3/4"	24 3/4"	24 3/4"
SHELF QTY	1	2	3	3	4
WEIGHT/lbs	95	170	230	285	355

CONSTRUCTION

- BODY 3/16" TH. STEEL.
- DOOR 1/2" TH. STEEL.
- LOCK #6730 S&G STANDARD WITH ILCO FLUSH DIAL & RING.
- BOLT WORK WITH ONE SOLID STEEL SLIDING PLATE 1/2" TH. X 5" & MECHANISM PROTECTED BY HARD PLATE.
- 4 ANCHOR HOLES 5/8"φ.
- PAINTED FINISH.

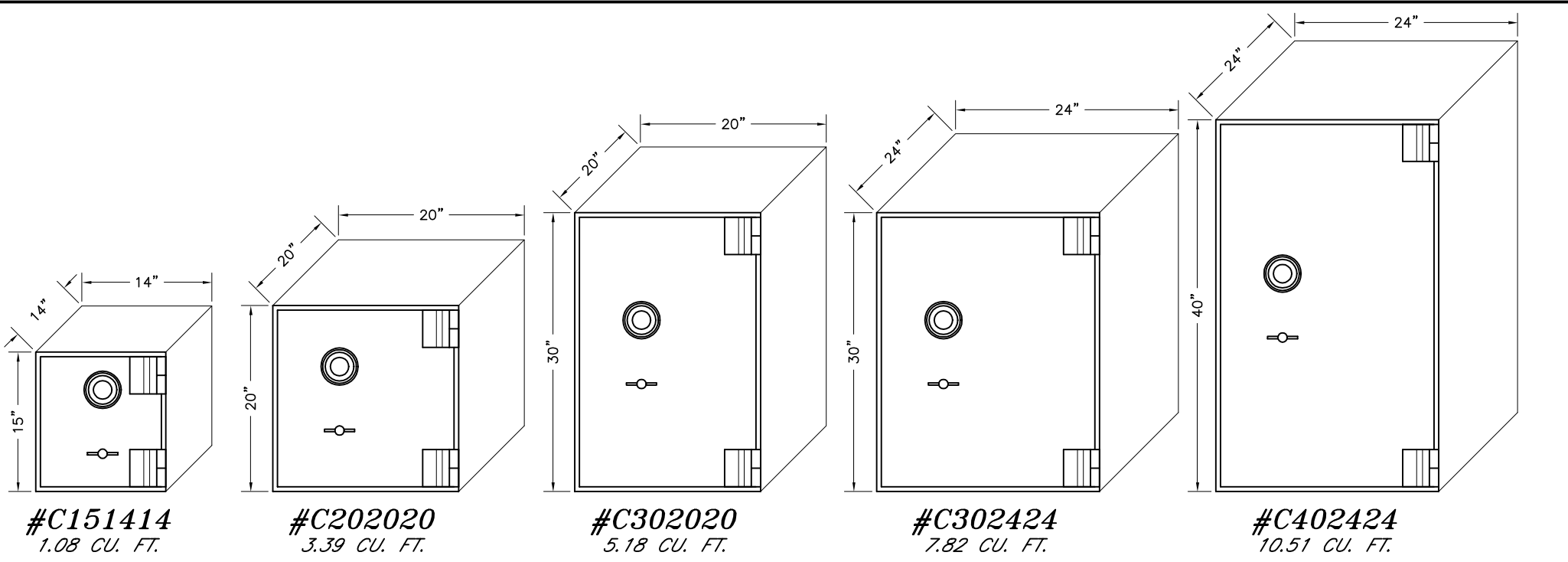


SECURIFORT
INC

TITLE

"B" RATED SAFE

DRAWING NO	DRAWN BY	DATE		
PC 685	RM	19	12	01



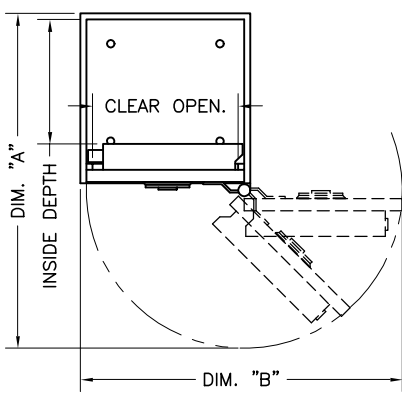
#C151414
1.08 CU. FT.

#C202020
3.39 CU. FT.

#C302020
5.18 CU. FT.

#C302424
7.82 CU. FT.

#C402424
10.51 CU. FT.



MODEL #	C151414	C202020	C302020	C302424	C402424
DIM. "A"	27 9/16"	39 9/16"	39 9/16"	47 9/16"	47 9/16"
DIM. "B"	26 1/2"	38 1/2"	38 1/2"	46 1/2"	46 1/2"
CL. OPENING	12"	18"	18"	22"	22"
INS. DEPTH	10 1/4"	16 1/4"	16 1/4"	20 1/4"	20 1/4"
Overall DEPTH	15 1/8"	21 1/8"	21 1/8"	25 1/8"	25 1/8"
SHELF QTY	1	2	3	3	4
WEIGHT/lbs	185	380	520	650	720

CONSTRUCTION

- BODY 1/2" TH. STEEL.
- DOOR 1" TH. STEEL.
- LOCK #6730 S&G STANDARD WITH ILCO FLUSH DIAL & RING.
- BOLT WORK /w 3 SLIDING BOLTS 1"φ & MECHANISM PROTECTED BY HARD PLATE.
- 4 ANCHOR HOLES 5/8"φ.
- PAINTED FINISH.

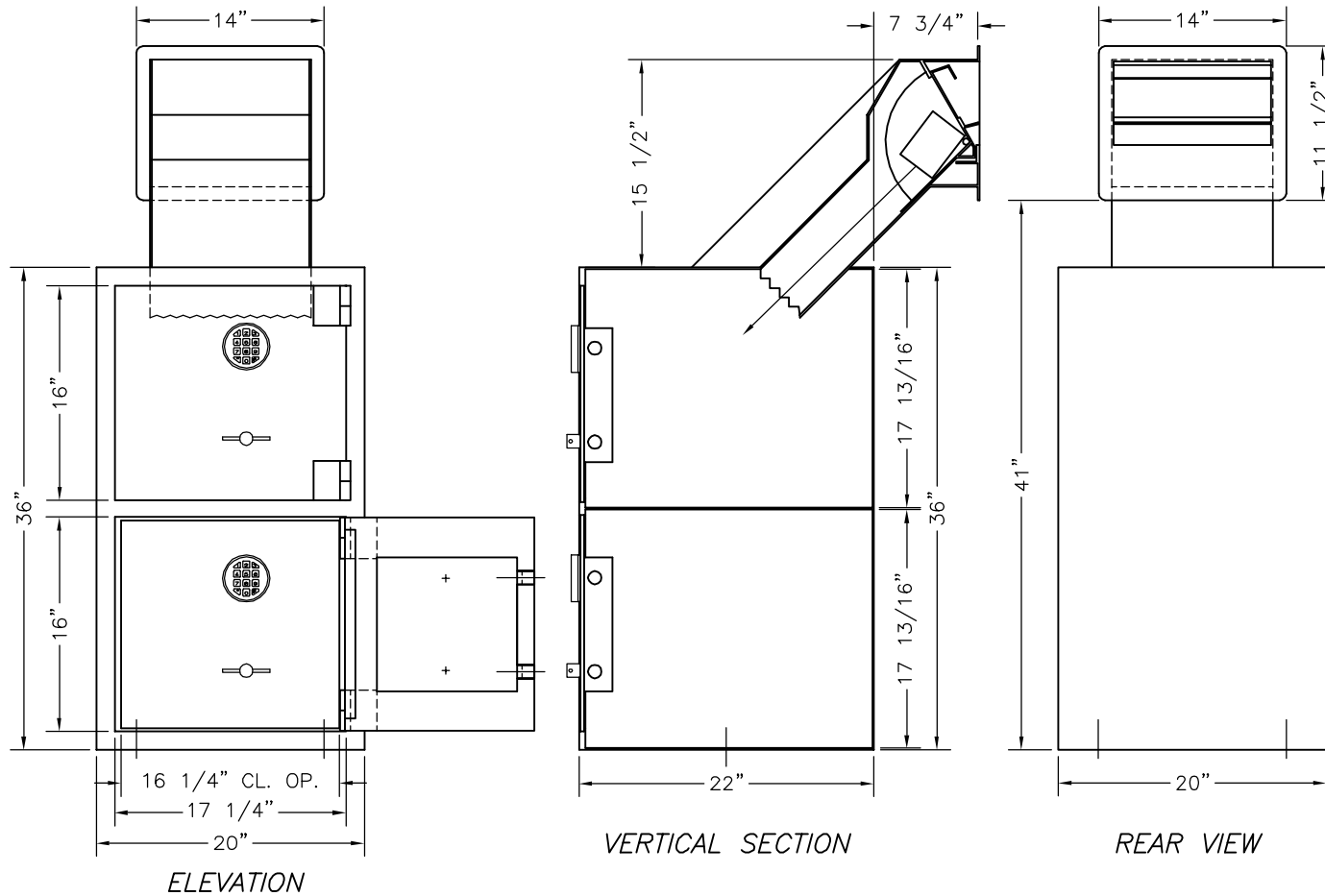


TITLE
"C" RATED SAFE

DRAWING NO	DRAWN BY	DATE	
PC 686	RM	19	12 01

SPECIFICATIONS

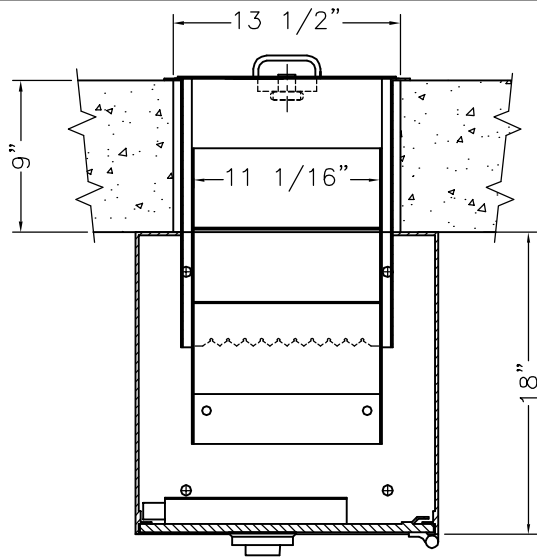
- BODY 11G. THICK STEEL CONSTRUCTION.
- DOORS 1/4" THICK STEEL CONSTRUCTION.
- MAX PACKAGE SIZE 3" X 4" X 12".
- EACH DOOR FITTED WITH A DIGITAL COMBO LOCK #33-E SPRING BOLT.
- 2 ANCHOR HOLES 5/8" DIA..
- APPROX. WEIGHT= 230 lbs.



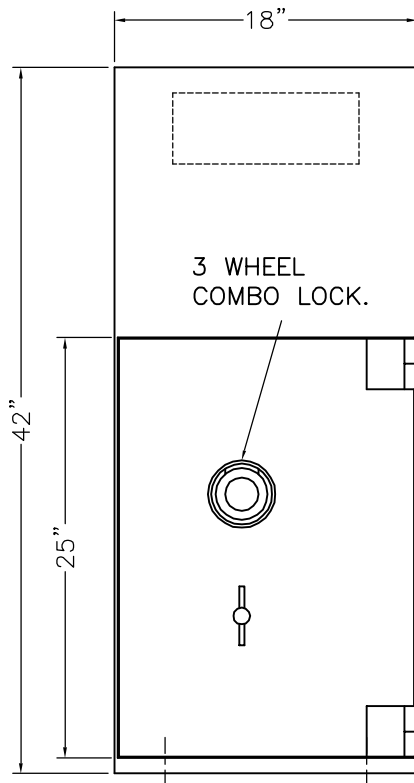
TITLE

**TWO DOORS
DEPOSITORY SAFE.**

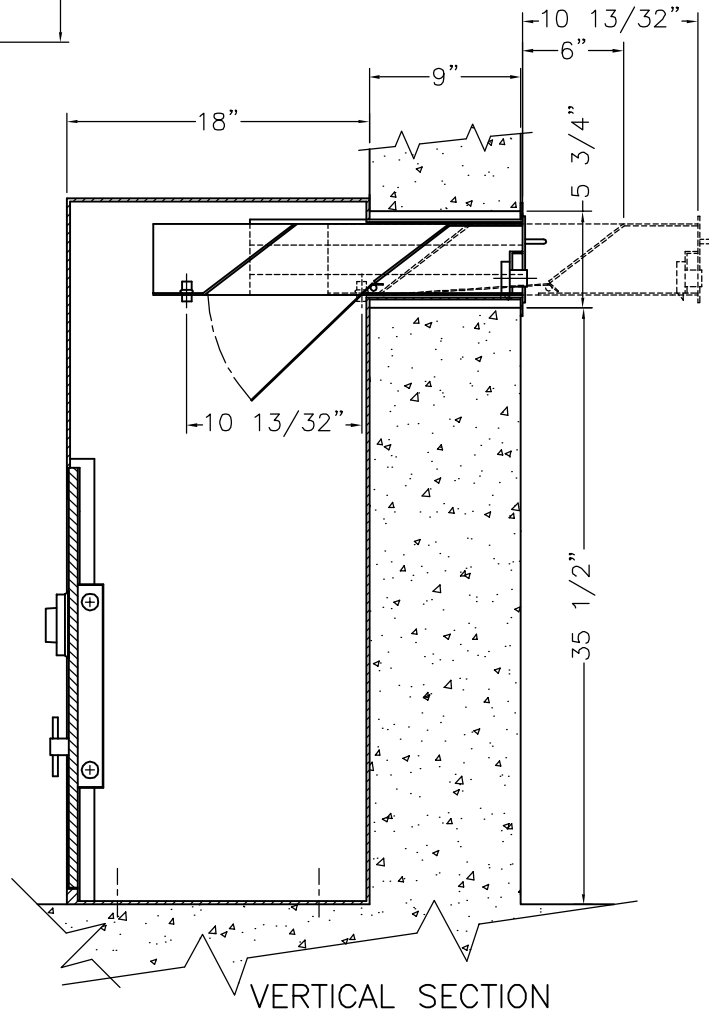
DRAWING NO PC 759		SCALE 1/8" = 1"
DATE 06 06 02	DRAWN BY RM	APP ED BY



HORIZONTAL SECTION

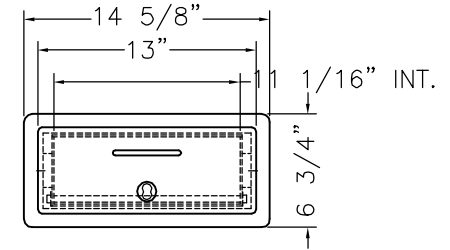


ELEVATION



VERTICAL SECTION

- BODY & DRAWER BUILT WITH 1/8" TH. STEEL.
- DOOR BUILT WITH 1/4" TH. STEEL.
- DRAWER LOCKED BY ONE "BEST" CABINET LOCK #5L7RL-2 w/o CORE.
- WEIGHT= 215 lbs.



OUTSIDE VIEW



SECURIFORT
INC

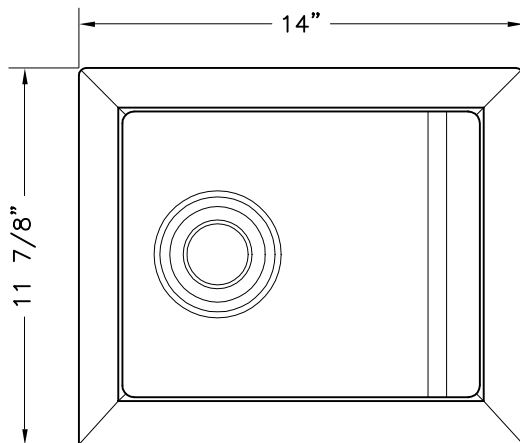
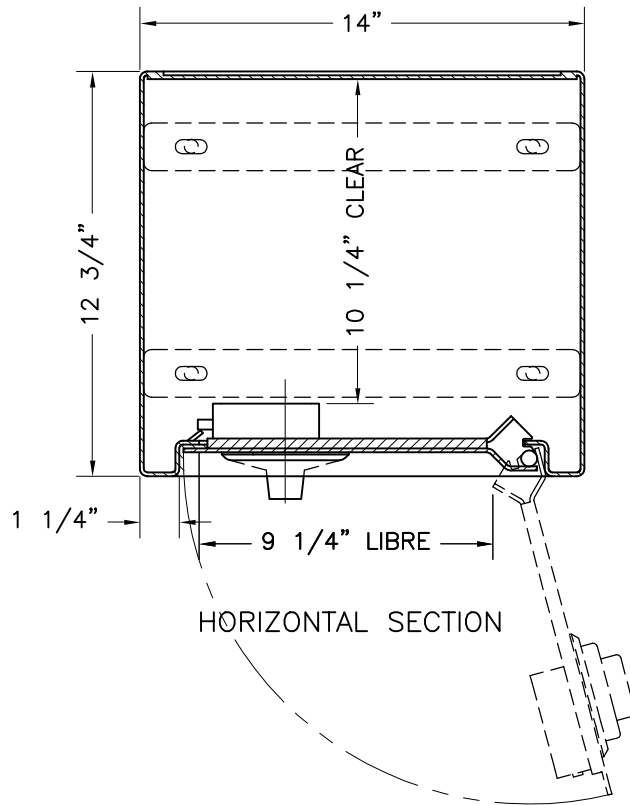
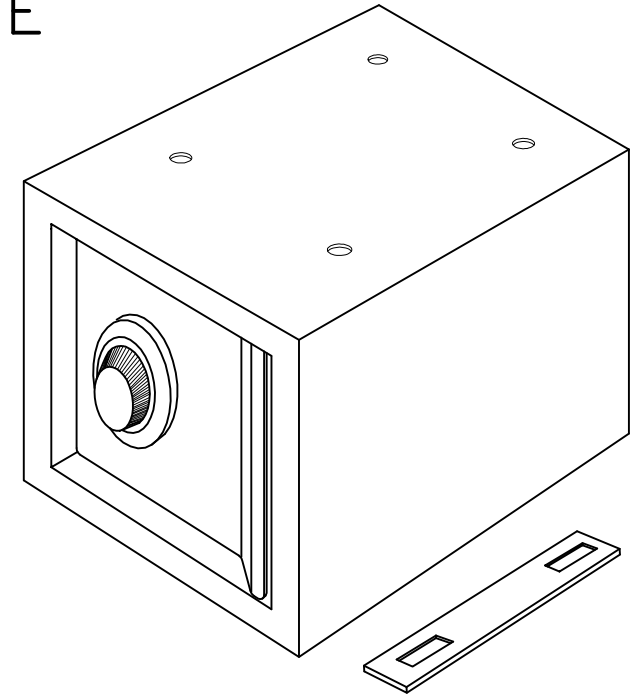
**DEPOSIT SAFE
/w DRAWER.**

DATE			DRAWN BY	DRAWING NO
19	09	02	RM	PC 806

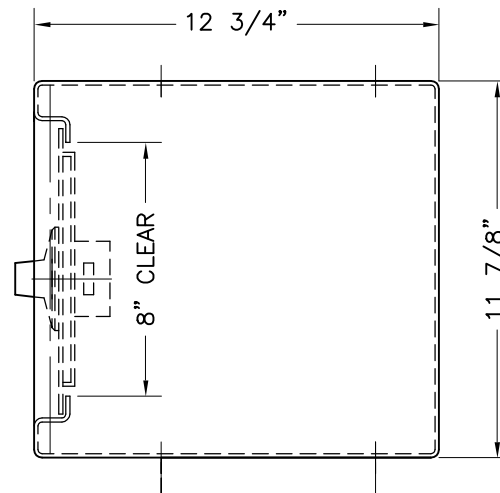
BURGLARY UTILITY SAFE

SPÉCIFICATIONS:

- BODY BUILT WITH 1/8" TH. STEEL PLATE.
- DOOR BUILT WITH (2) 1/8" TH. STEEL PLATE TOTAL 1/4" TH..
- 4 ANCHORING HOLES ON TOP AND BOTTOM PLATE WITH FIXING BRACKETS.
- 3 WHEEL COMBINATION LOCK /w SMALL OPEN FACE DIAL.
- HIGH QUALITY PAINT WITH ANTI-RUST TREATMENT.
- WEIGHT: 56 LBS (25,4 kg)



ELEVATION



VERTICAL SECTION



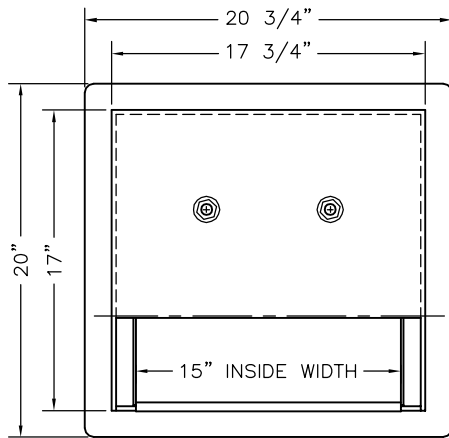
SECURIFORT
INC

TITLE

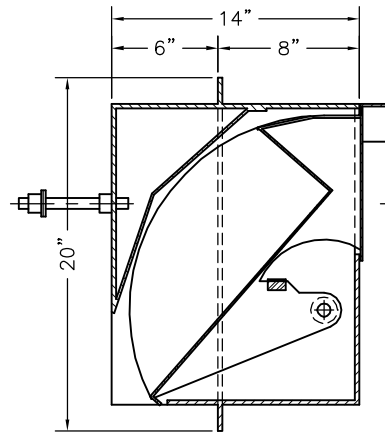
UTILITY SAFE

DRAWING NO	DRAWN BY	DATE	
PC 814A	RM	29	10 02

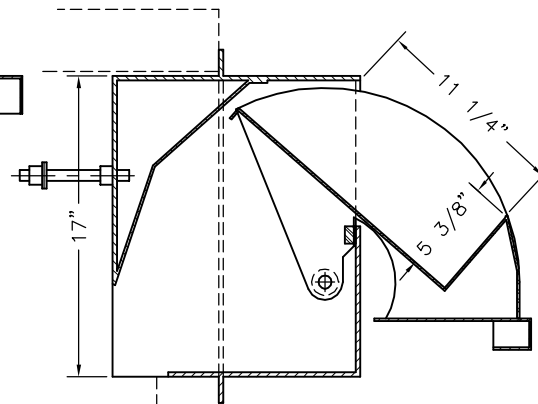
Optional DEPOSITORY DRAWER for Plate Safe or Composite Safe.



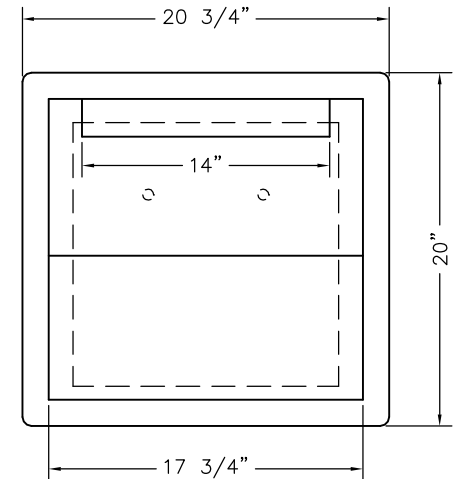
INSIDE VIEW



SIDE VIEW SECTION
CLOSE POSITION



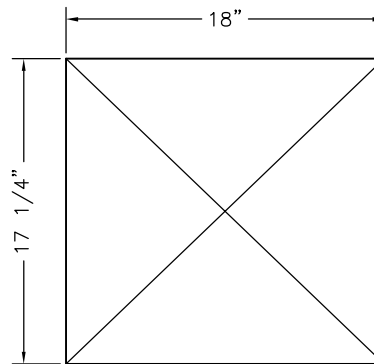
SIDE VIEW SECTION
OPEN POSITION



OUTSIDE VIEW

SPECIFICATIONS

- WALL OPENING REQUIRED= -HEIGHT 17 1/4"
- WIDTH 18"
- WEIGHT= 135 lbs.



WALL OPENING

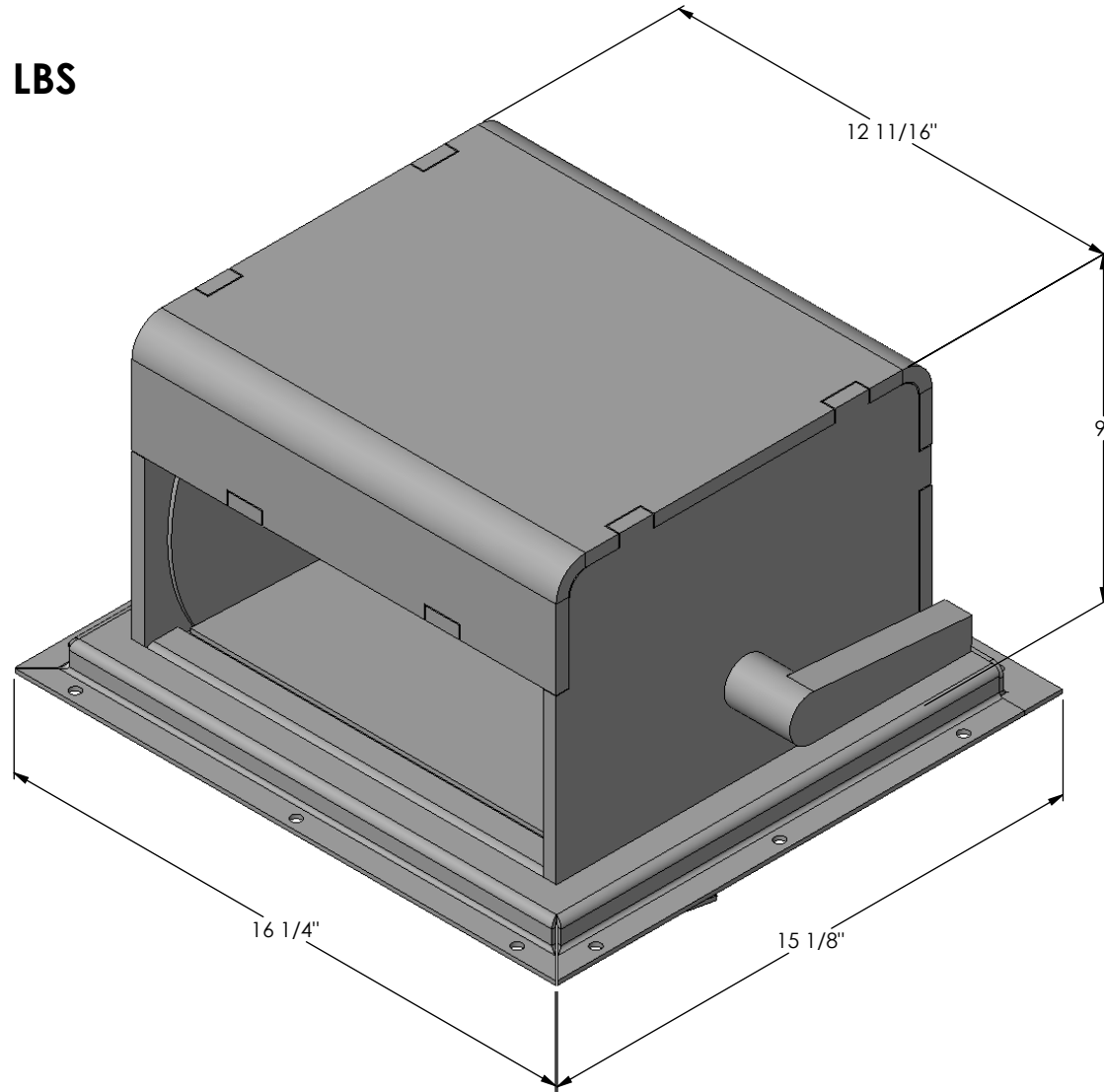


SECURIFORT
INC

DEPOSITORY DRAWER


DRAWING NO	DRAWN BY	DATE		
<i>PC 831</i>	<i>RM</i>	<i>08</i>	<i>11</i>	<i>02</i>

APPROX WEIGHT: 80 LBS

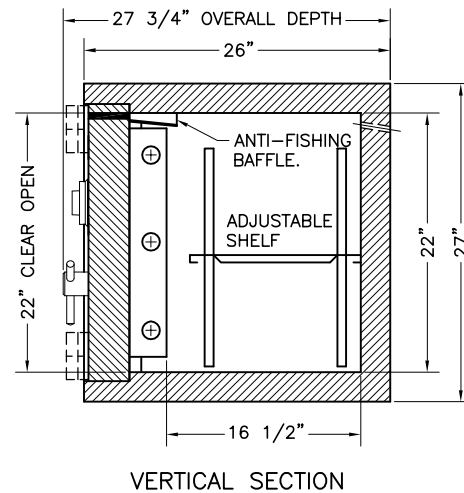
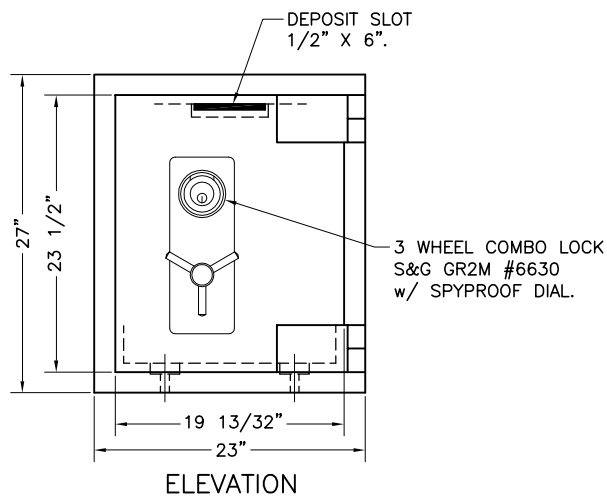
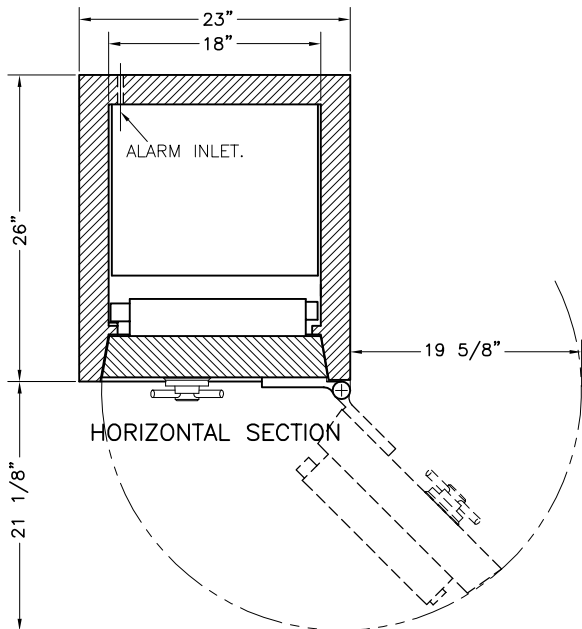


NEED TOP SAFE OPENING:
12.375" X 11.000"

ROTARY OPENING
4.875"H X 11.50"W X 8.375"D

PROPRIÉTÉ ET CONFIDENTIALITÉ Les informations contenues dans ce dessin sont la propriété de SÉCURIFORT. Toute reproduction en partie ou en entier sans la permission écrite de SÉCURIFORT est interdite.	 Sécurifort INC	Description 1		ASSEMBLAGE FINAL
		Description 2		ROTARY HOPPER
LES DIMENSIONS SONT EN POUCES TOLERANCES: FRACTIONS ± 1/64" ANGLES ± 0.30' DÉCIMALES ± 0.003"	Créée par	FM	Nom du fichier	AC-ROH-091311-01
	Date de création	7/20/2009	Échelle:1:4	Ne pas mesurer sur le dessin
Emplacement fichier		Z:\Accessories\ROTARY HOPPER\AC-ROH-091311\		
				REV. 0
				Feuille 1 de 1

1	14 07 10	REDRAWN, UL CERTIF. MODIF.	RM
NO	DATE	REVISION	BY



APPROX. WEIGHT = 1090 lbs.

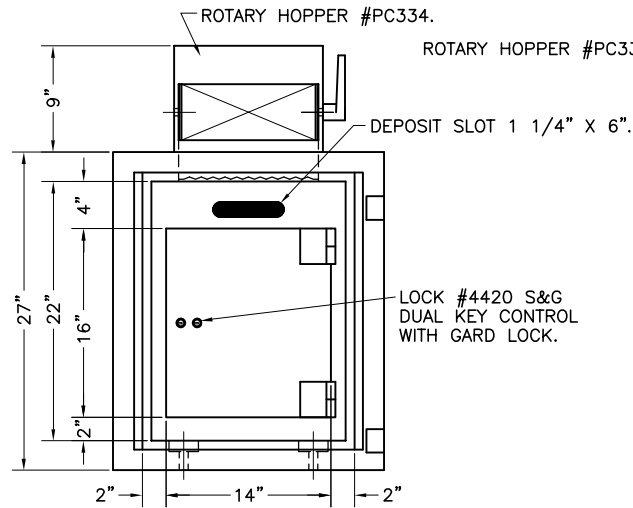
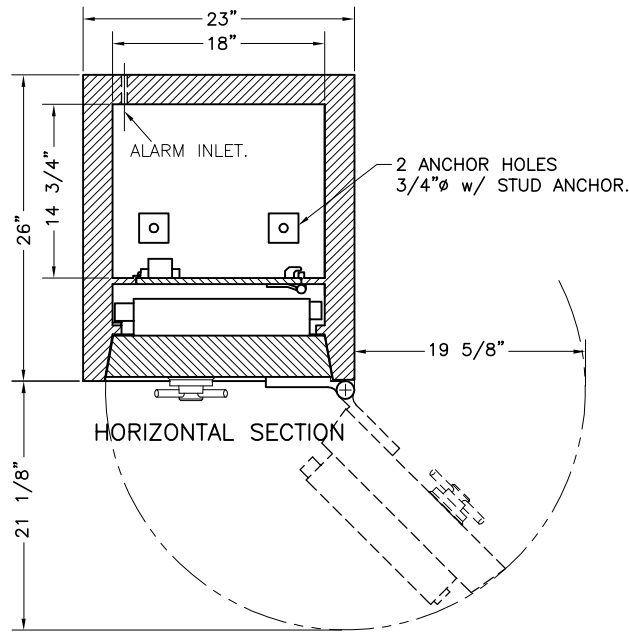


**SECURIFORT
INC**

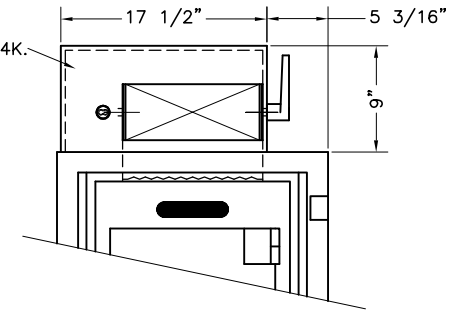
***TL-30 Construction
Tool-Resistant Drop Safe
w/o Label with deposit slot***

DRAWING NO	DRAWN BY	DATE		
PC 367	RM	12	11	97
ITEM NO	CD-M221817LF-L30			

1	14 07 10	REDRAWN	RM
NO	DATE	REVISION	BY

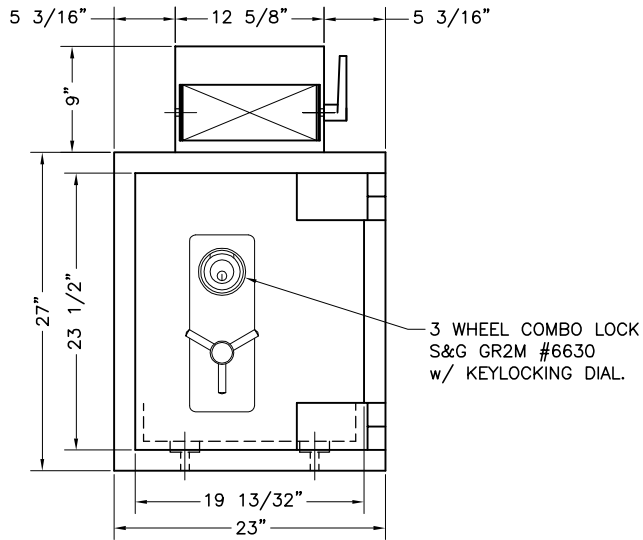


INSIDE FRONT VIEW
MAIN DOOR OMITTED

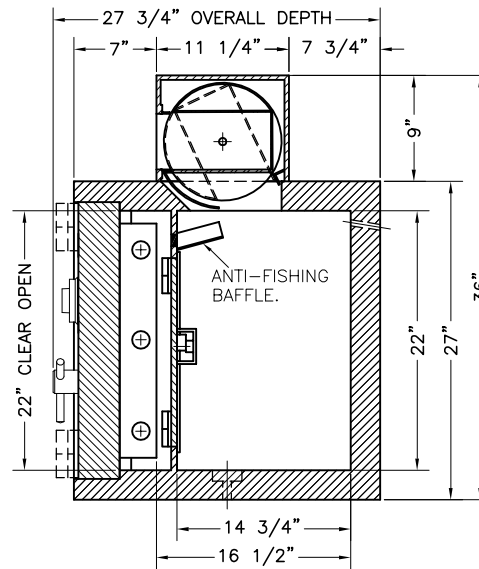


SHOWN WITH OPTIONAL LOCKED ROTARY
WITH "BEST" CABINET LOCK #5L7RD2
/w CORE + 2 KEYS.

APPROX. WEIGHT = 1150 lbs.



ELEVATION



VERTICAL SECTION

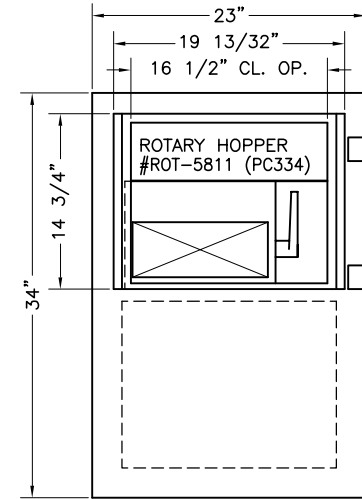
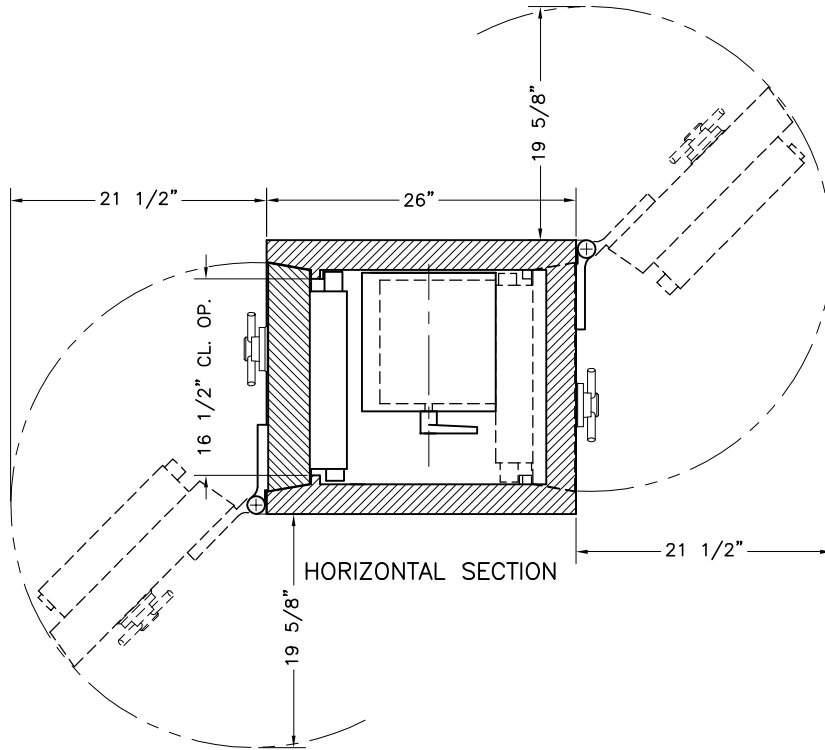


SECURIFORT
INC

**TL-30 Construction
Tool-Resistant Drop Safe
w/o Label.**

DRAWING NO	DRAWN BY	DATE		
PC 942	RM	12	06	03
ITEM NO	CD-M221817RT-L30			

1	21 07 10	REDRAWN	RM
NO	DATE	REVISION	BY



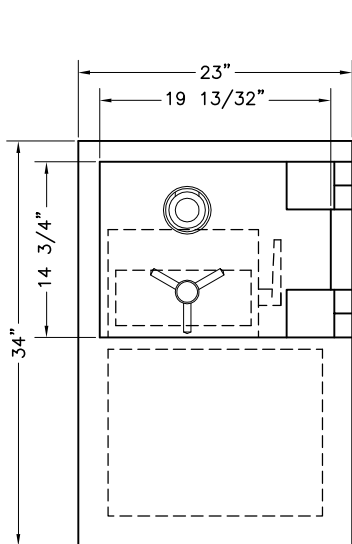
ELEVATION
TOP DOOR OMITTED

APPROX. WEIGHT= 1400 lbs.

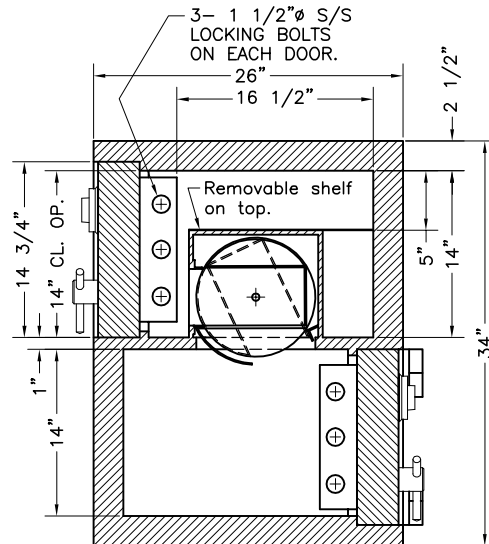


SECURIFORT
INC

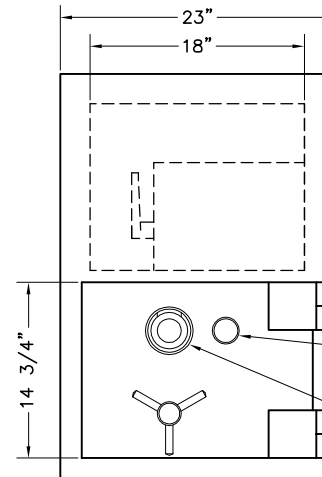
**TL-30 Construction
Tool-Resistant Drop Safe
w/o Label.**



ELEVATION (top door)



VERTICAL CROSS SECTION



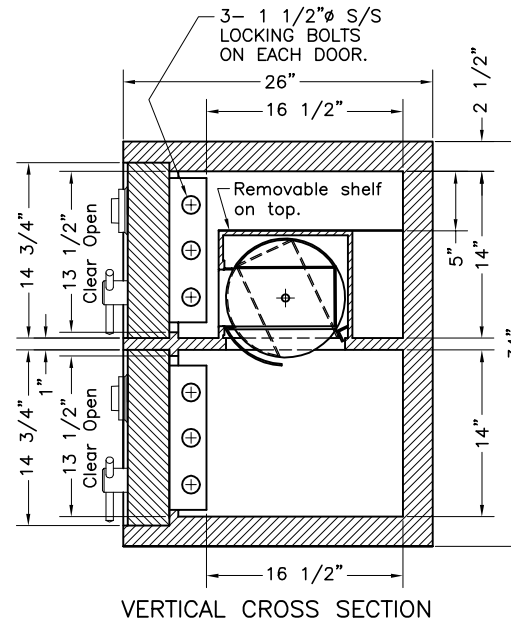
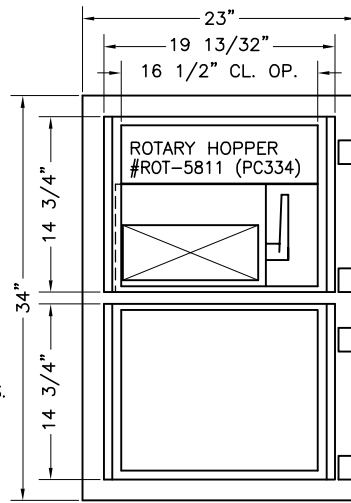
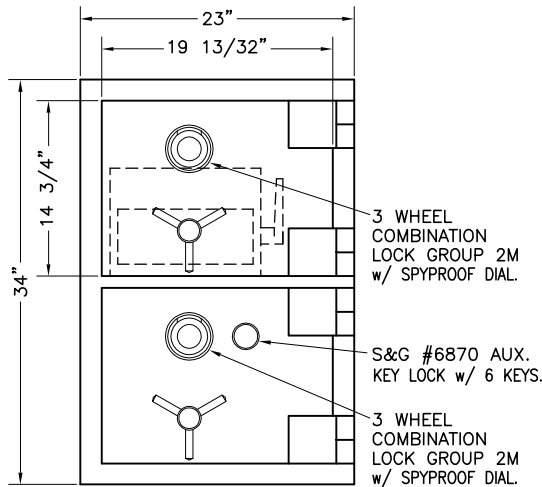
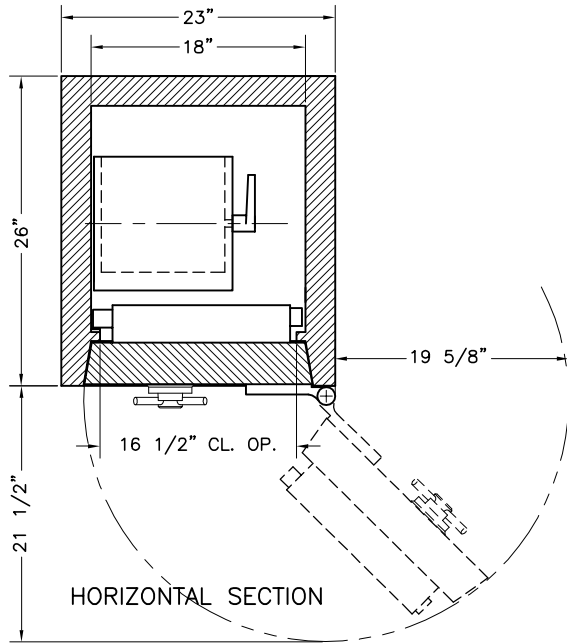
ELEVATION (bottom door)

S&G #6870 AUX.
KEY LOCK /w 6 KEYS.

3 WHEEL
COMBINATION
LOCK GROUP 2M
/w SPYPROOF DIAL.

DRAWING NO	DRAWN BY	DATE
PC 824	RM	28 10 02
ITEM NO	CD-M291817RIA-L30	

	21 07 10	REDRAWN	RM
NO	DATE	REVISION	BY

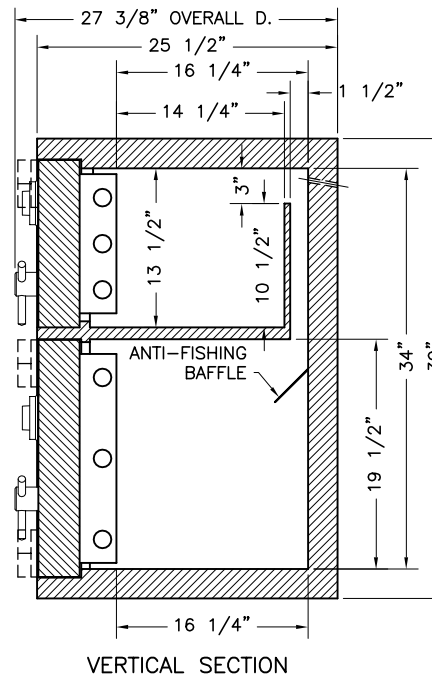
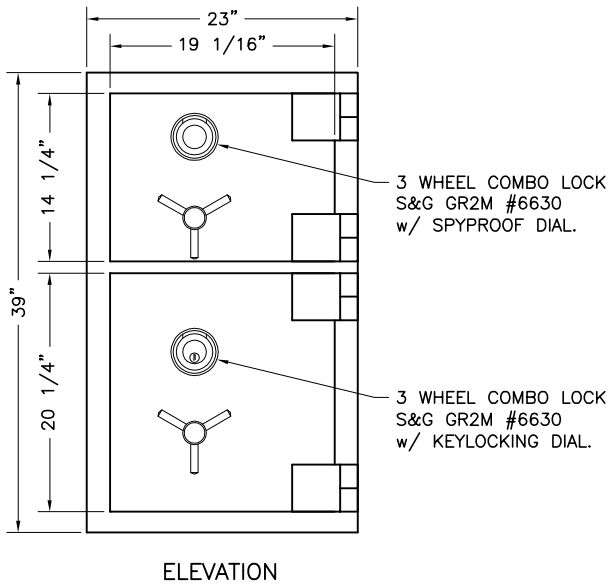
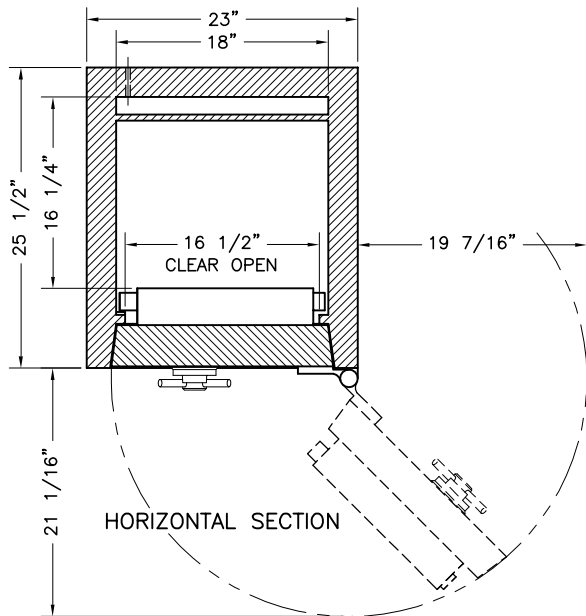


APPROX. WEIGHT= 1400 lbs.



**TL-30 Construction
Tool-Resistant Drop Safe
w/o Label.**

DRAWING NO PC 825	DRAWN BY RM	DATE 28 10 02
ITEM NO CD-M291817RIB-L30		



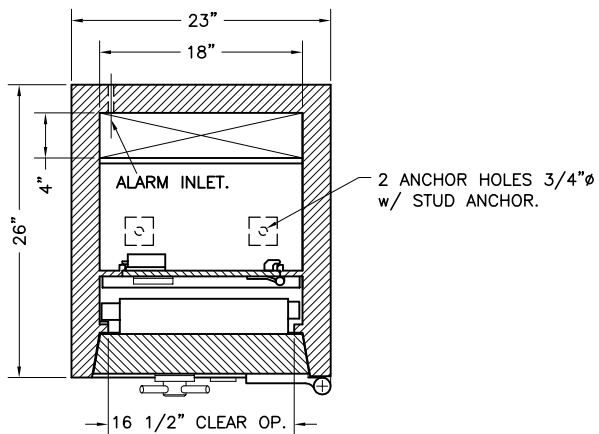
APPROX WEIGHT: 1450 lbs



SECURIFORT
INC

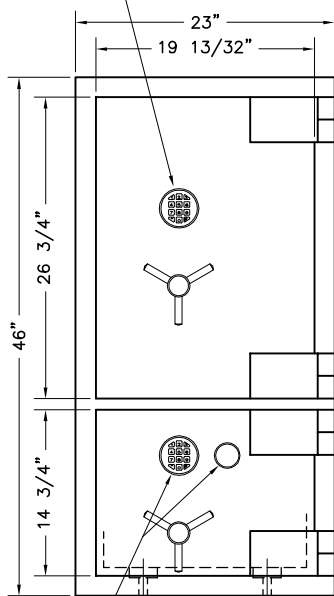
*TL-30 Construction
Tool-Resistant Drop Safe
w/o Label with deposit opening*

DRAWING NO	DATE	DRAWN BY
PC-066 #2238	22 07 10	RM
ITEM NO	CS-M341816B-L30	



HORIZONTAL CROSS SECTION
(TOP COMPARTMENT)

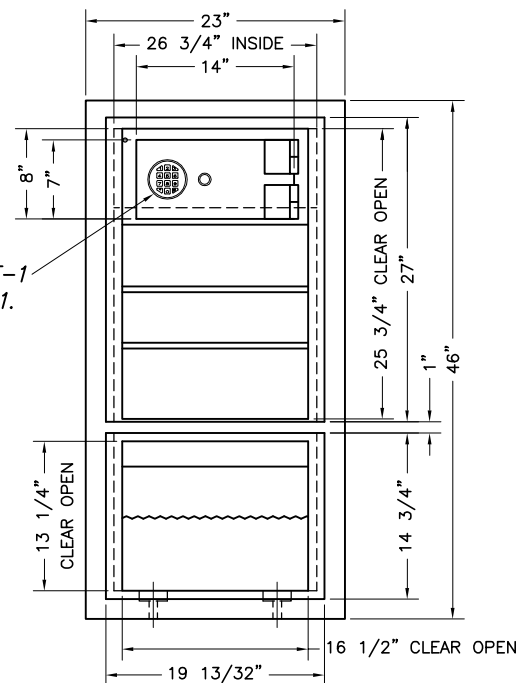
LAGARD electronic lock #33E-1
w/ large battery box #4001.



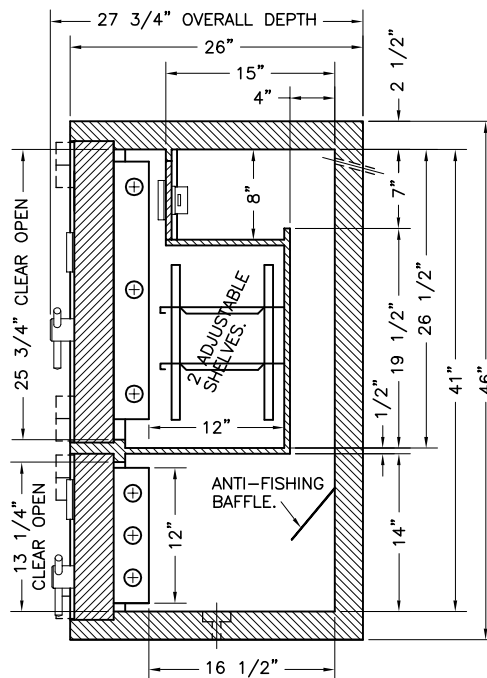
ELEVATION

LAGARD electronic lock #33E-1
w/ large battery box #4001 &
auxilliary LAGARD keylock #2200
w/ 6 keys.

LAGARD electronic lock #33E-1
w/ large battery box #4001.



ELEVATION
WITH MAIN DOORS OMITTED.



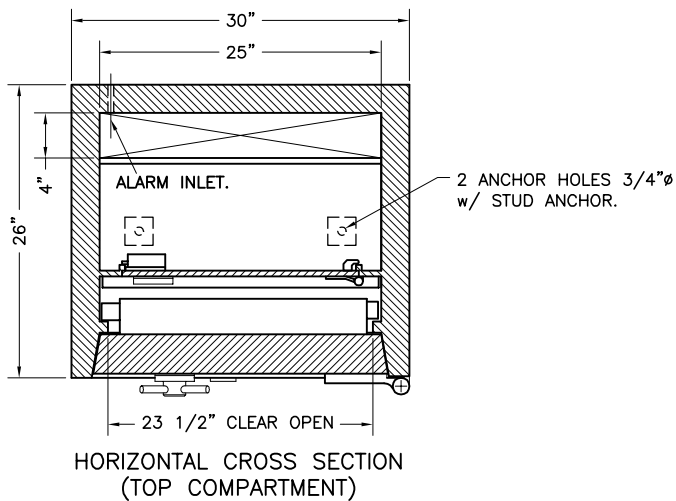
VERTICAL CROSS SECTION

APPROX. WEIGHT: 1700 lbs.

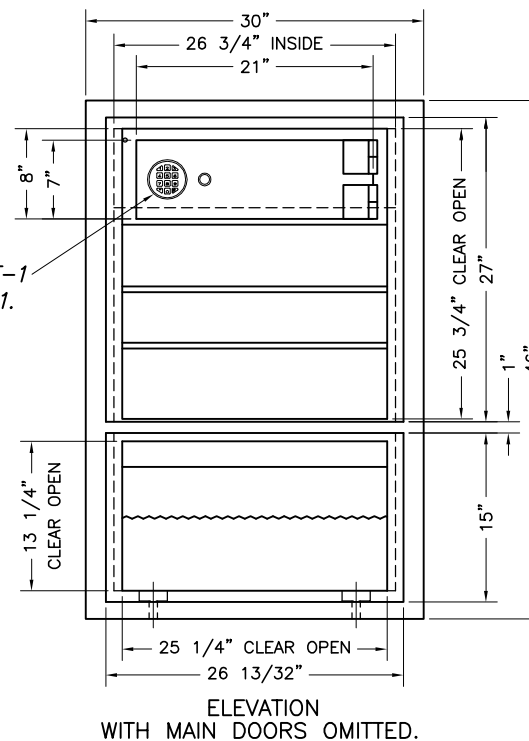


**TL-30 Construction
Tool-Resistant Drop Safe
w/o Label.**

DRAWING NO	PC 1183 SP	DRAWN BY	RM	DATE	12 07 10
ITEM NO	CS-M411817A-L30				



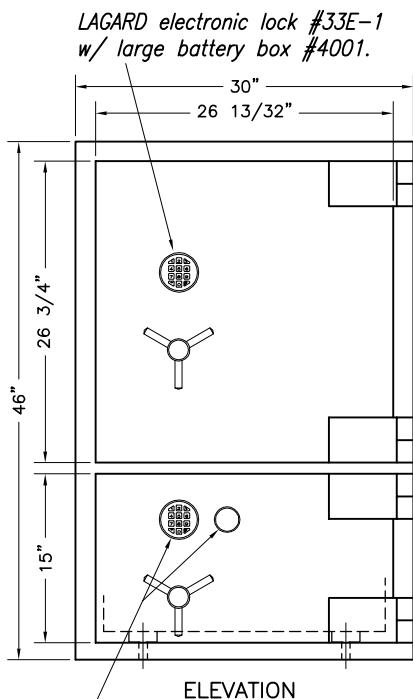
LAGARD electronic lock #33E-1
w/ large battery box #4001.



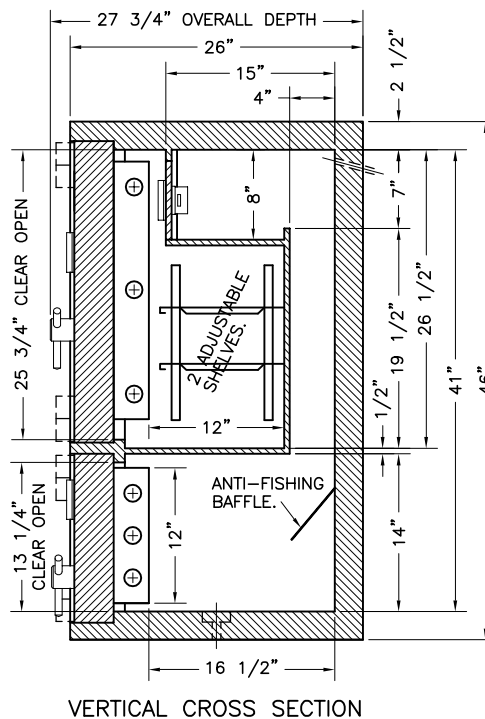
APPROX. WEIGHT: 2180 lbs.



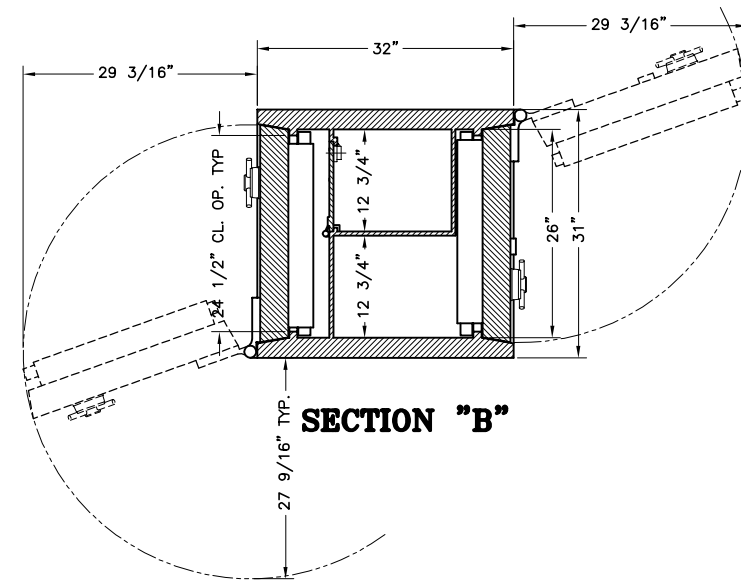
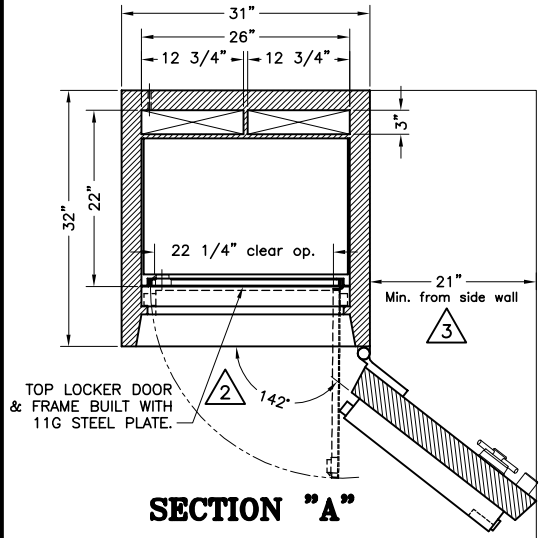
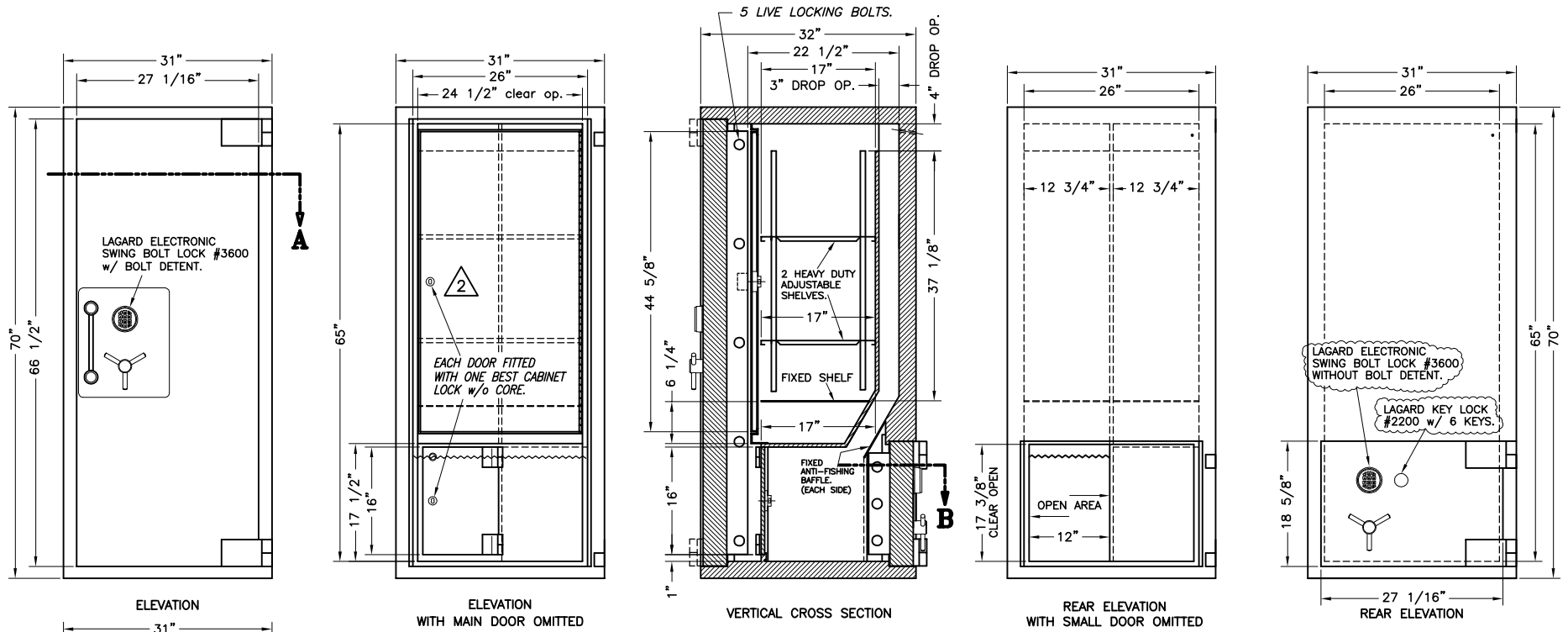
**TL-30 Construction
Tool-Resistant Drop Safe
w/o Label.**



LAGARD electronic lock #33E-1
w/ large battery box #4001 &
auxilliary LAGARD keylock #2200
w/ 6 keys.



DRAWING NO	PC 1183 SPN	DRAWN BY	RM	DATE	21	05	09
ITEM NO	CS-M412517A-L30						



APPROX. WEIGHT= 3600 lbs.

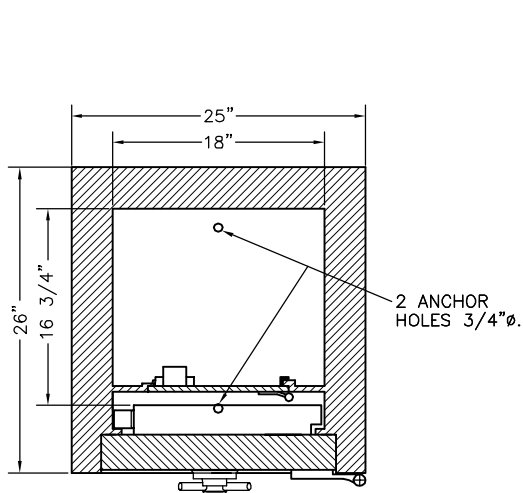


TL-30 Construction Tool-Resistant Drop Safe w/o Label.

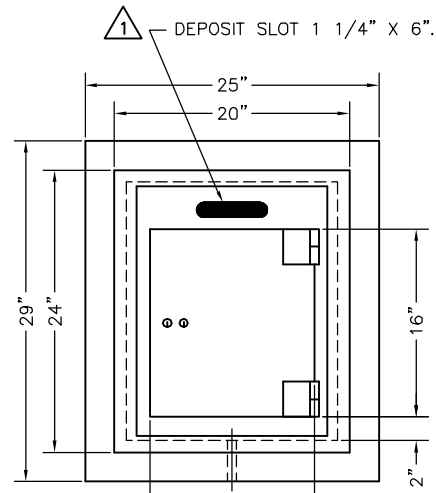
4	21 07 10	REMOVE UL LABEL.	RM
3	10 03 10	MINIMUM DOOR SWING DETAIL ADDED.	RM
2	10 03 10	TOP LOCKER DOOR ADDED.	RM
1	05 02 09	3600 lbs WAS 3200 lbs.	RM
NO	DATE	REVISION	BY

DRAWING NO	DRAWN BY	DATE	
PC 612	RM	07	01 09
DRAWING NO	CS-M652623A-L30		

△2	14 9 00	26" WAS 26 3/8"	CV
△1	14 12 98	SLOT 1 1/4 X 6 WAS 1 X 5	RM
NO	DATE	REVISION	BY



HORIZONTAL CROSS SECTION

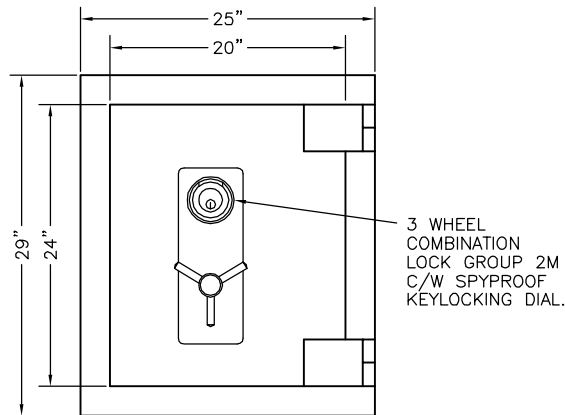


INSIDE VIEW

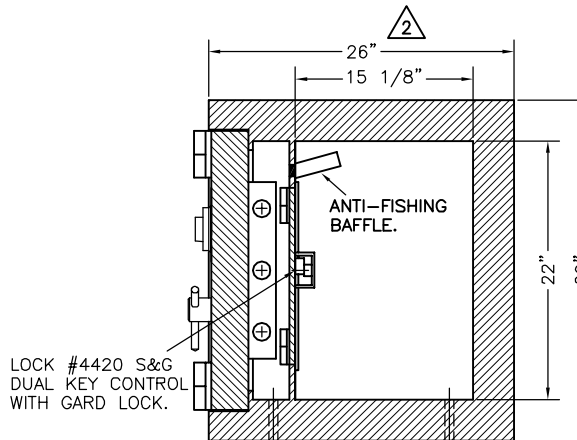
WEIGHT (TL-30) = 1325 lbs.
WEIGHT (TL-30x6) = 1530 lbs.



SECURIFORT
INC



ELEVATION



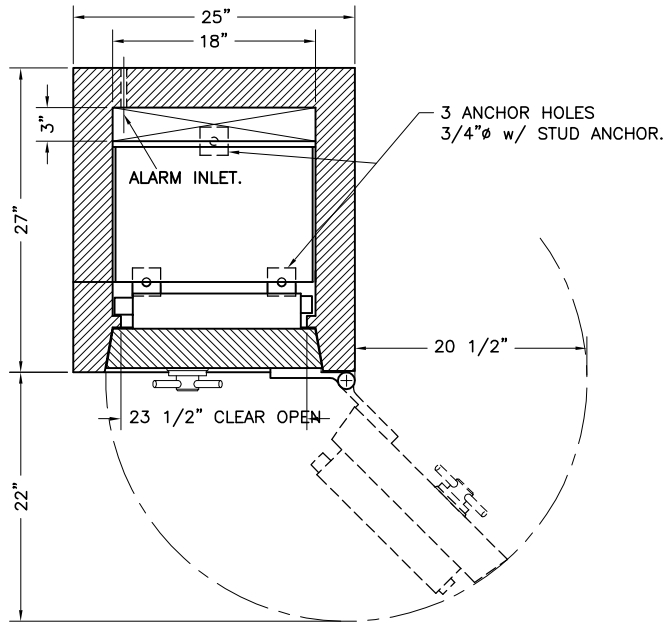
VERTICAL CROSS SECTION



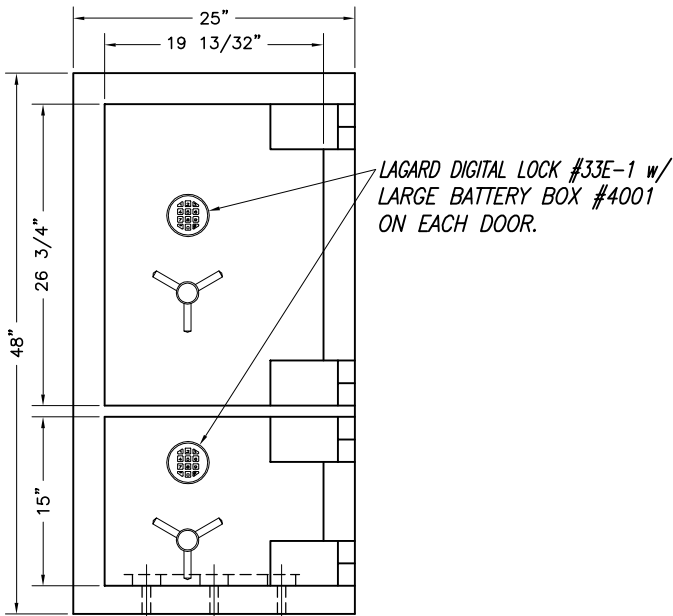
Underwriters Laboratories Inc.®

TOOL-RESISTANT SAFE
TL-30 & TL-30 x6
#2218 DROP SAFE

DRAWING NO	DRAWN BY	DATE		
PC 086	RM	12	11	97
ITEM NO	CS-0221817B-L30			



HORIZONTAL CROSS SECTION
(TOP COMPARTMENT)

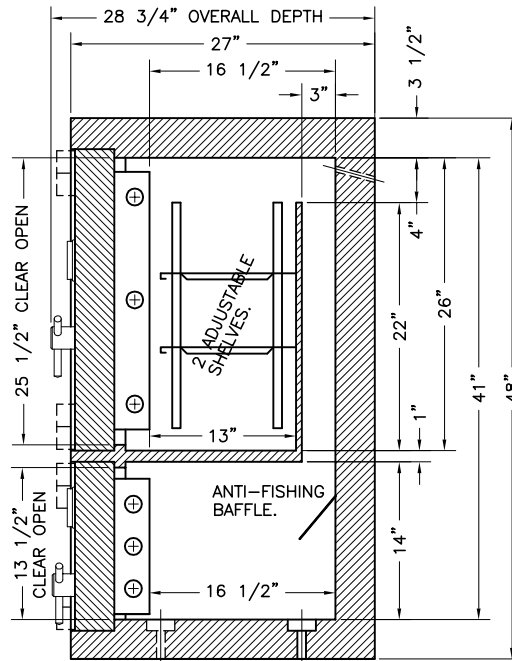


ELEVATION

LAGARD DIGITAL LOCK #33E-1 w/
LARGE BATTERY BOX #4001
ON EACH DOOR.

SPECIFICATIONS

- UPPER & LOWER DOOR EQUIPPED WITH LAGARD DIGITAL LOCK #33E-1 w/ RELOCKING DEVICES & ARMOR GLASS & MECHANISM PROTECTED BY A HARD PLATE & (3) 1 1/2"Ø CHROMED SLIDING BOLTS.
- APPROX. WEIGHT= 2150 lbs.



VERTICAL CROSS SECTION



SECURIFORT
INC

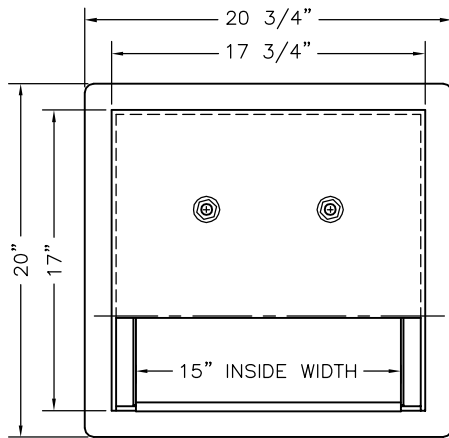


Underwriters Laboratories Inc.®

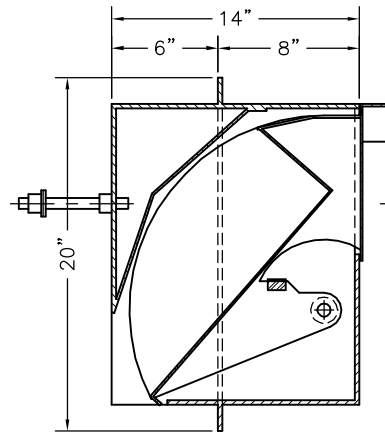
TL-30
TOOL-RESISTANT
DROP SAFE.

DRAWING NO	DRAWN BY	DATE		
PC 1183	RM	27	11	07
ITEM NO				
CS-0411817A-L30				

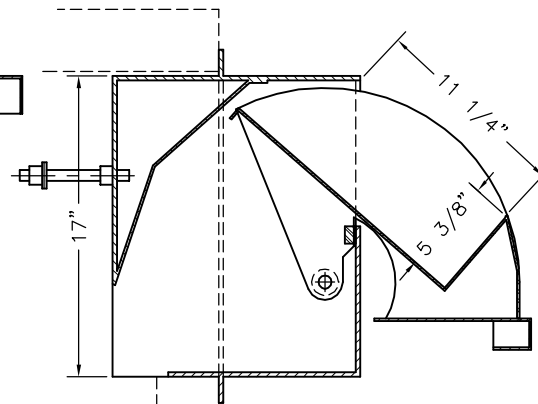
Optional DEPOSITORY DRAWER for Plate Safe or Composite Safe.



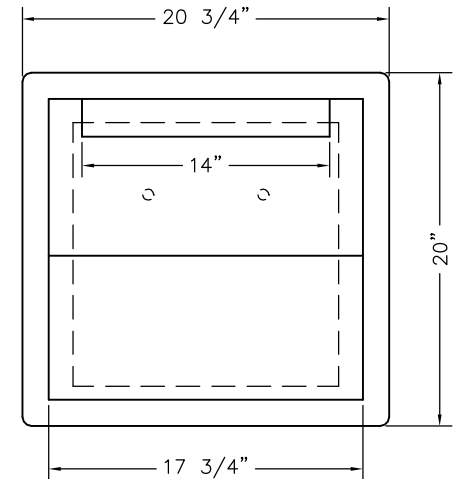
INSIDE VIEW



SIDE VIEW SECTION
CLOSE POSITION



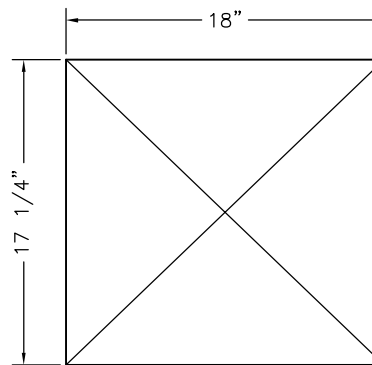
SIDE VIEW SECTION
OPEN POSITION



OUTSIDE VIEW

SPECIFICATIONS

- WALL OPENING REQUIRED= -HEIGHT 17 1/4"
- WIDTH 18"
- WEIGHT= 135 lbs.



WALL OPENING

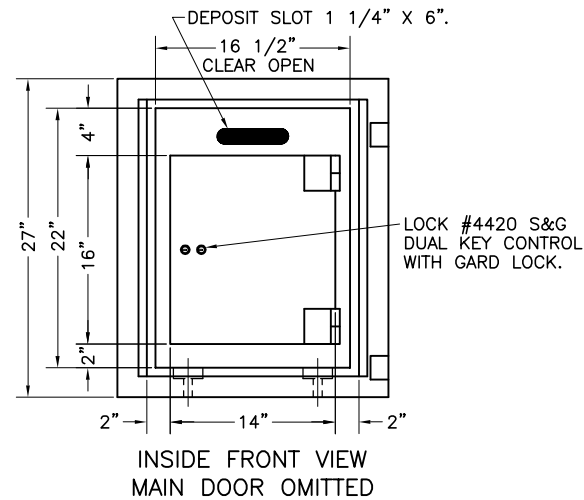
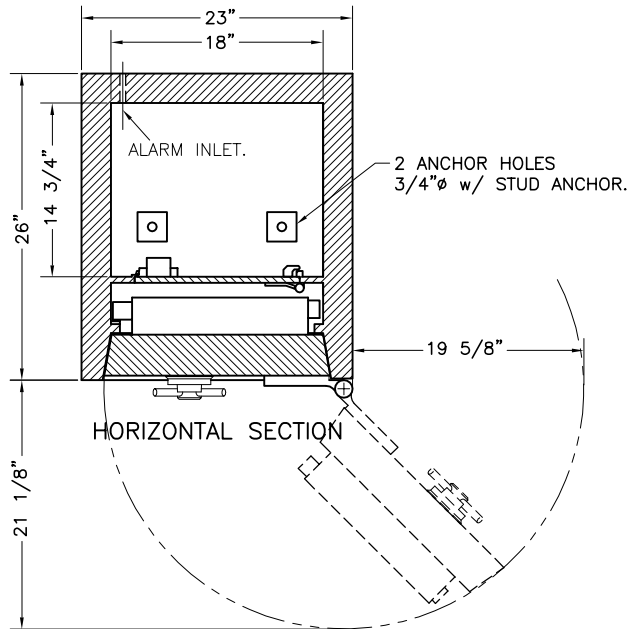


SECURIFORT
INC

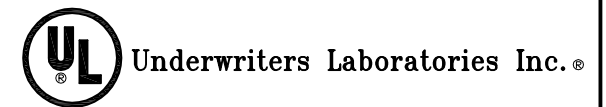
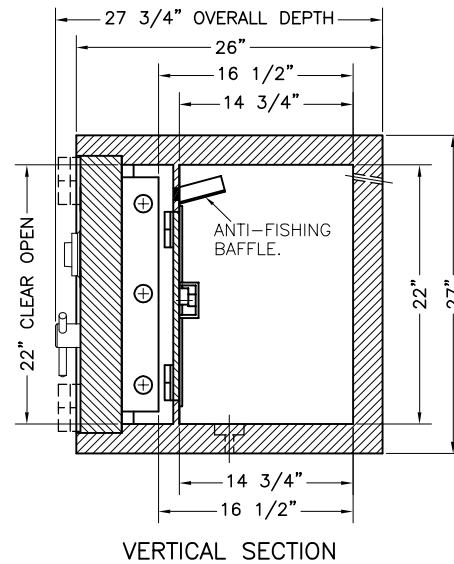
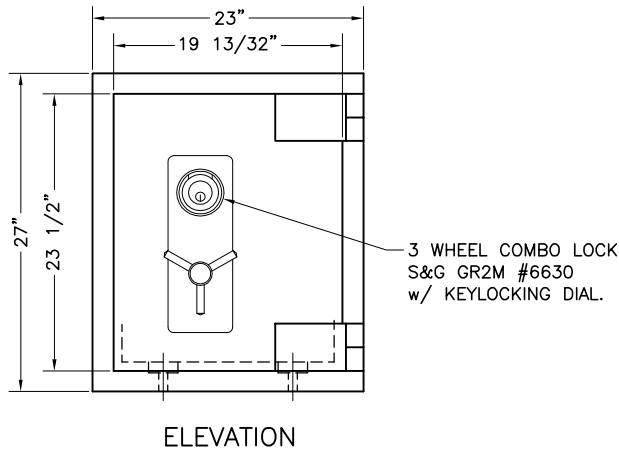
DEPOSITORY DRAWER

DRAWING NO	DRAWN BY	DATE		
<i>PC 831</i>	<i>RM</i>	<i>08</i>	<i>11</i>	<i>02</i>

3	14 07 10	REDRAWN	RM
2	14 09 00	26" WAS 26 3/8" ON DEPTH	CV
1	14 12 98	SLOT 1 1/4 X 6 WAS 1 X 5"	RM
NO	DATE	REVISION	BY

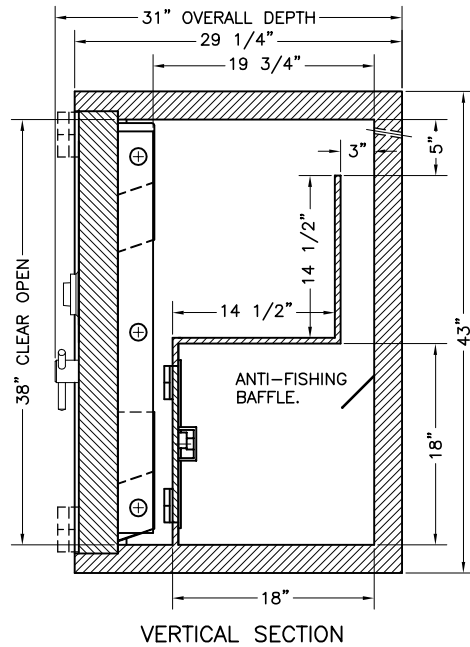
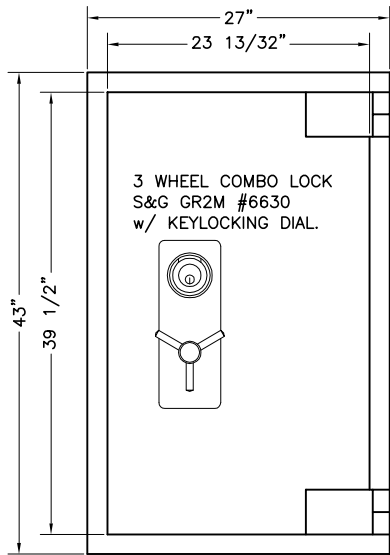
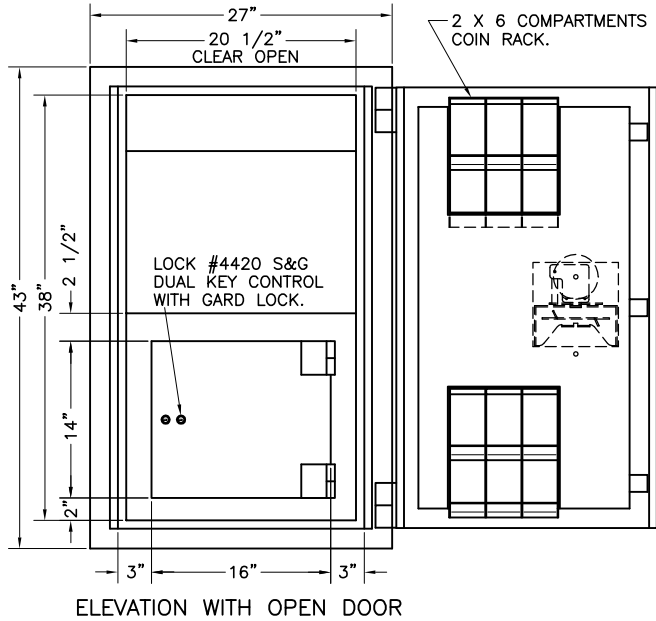
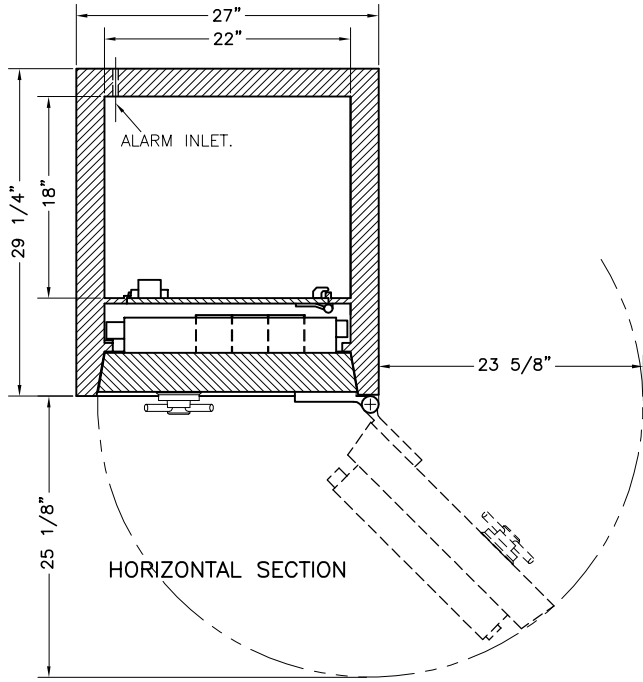


APPROX. WEIGHT (TL-30) = 1100 lbs.



TOOL-RESISTANT SAFE
TL-30 #2218-17
DROP SAFE

DRAWING NO	DRAWN BY	DATE		
PC 086	RM	12	11	97
ITEM NO	CS-M221817C-L30			



△				
△	1	26 07 10	REDRAWN	RM
NO		DATE	REVISION	BY

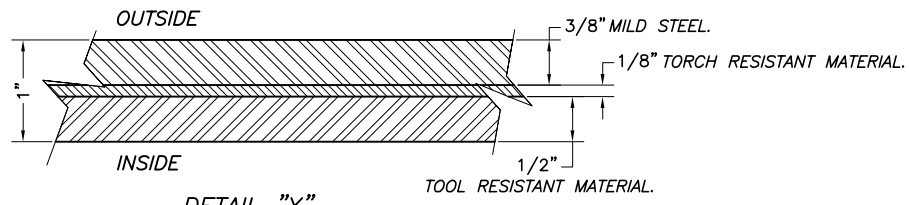
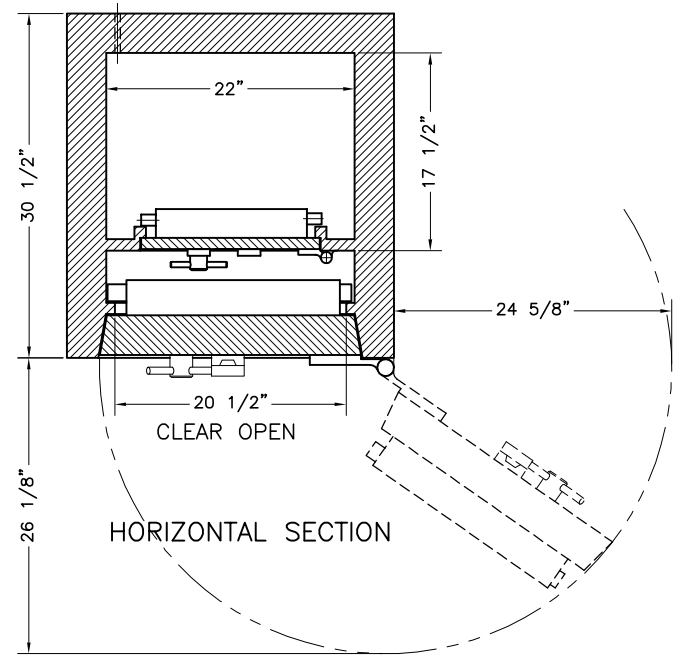
APPROX. WEIGHT (TL-30) = 1800 lbs.



TOOL-RESISTANT SAFE
TL-30 #382220
DROP SAFE

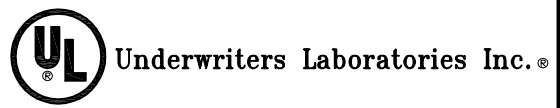
DRAWING NO	DRAWN BY	DATE		
Ref: #PC300	RM	12	11	97
ITEM NO	CS-M382220G-L30			

3	20 12 07	REDRAWN	RM
2	14 05 02	QTY OF KEYS WAS CHANGE	RM
1	20 10 00	LOCK VERT. DOWN WAS VERT. UP	RM
NO	DATE	REVISION	BY

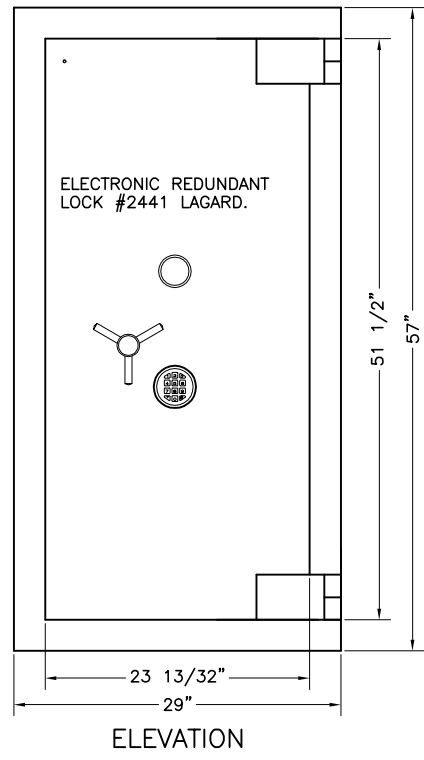


DETAIL "X"
(Top & front construction)

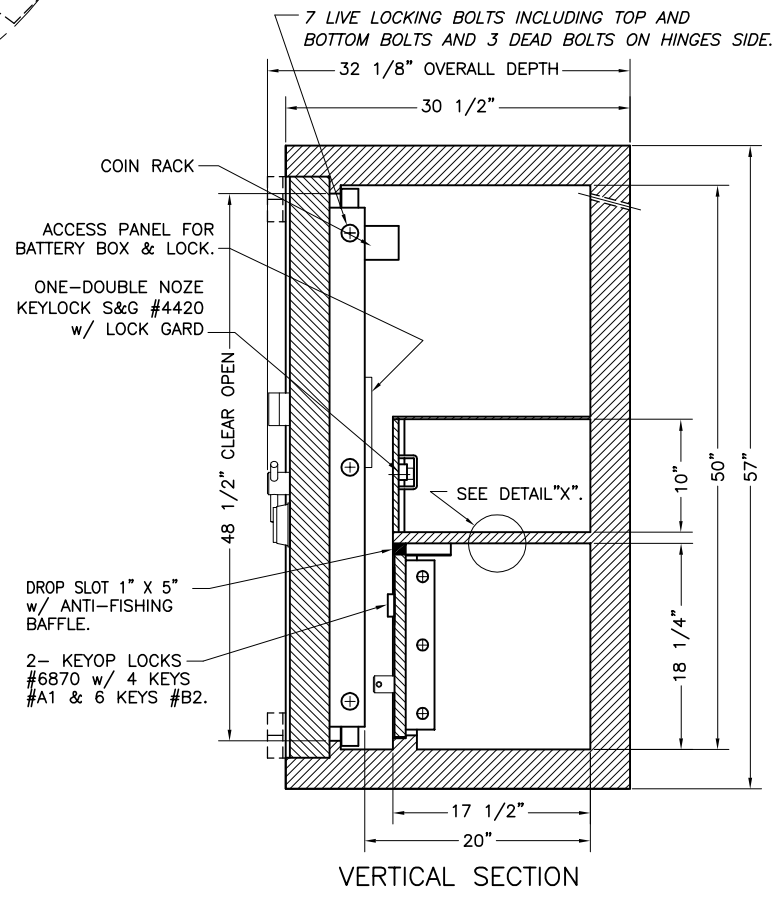
APPROX. WEIGHT (TL-30x6) = 3325 lbs.



TOOL-RESISTANT SAFE
TL-30x6 #5022-20
w/ DROP CHEST



ELEVATION



VERTICAL SECTION

DRAWING NO	DRAWN BY	DATE
PC 466	RM	12 04 99
ITEM NO	CS-0502220B-L63	



3278-B



SÉCURIFORT
INC

**PORTE DE VOÛTE IGNIFUGE
INSULATED VAULT DOOR**

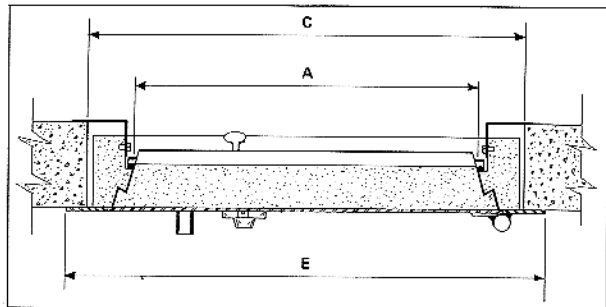
Catégorie B 2 heures
Class B 2 hours

Catégorie A 4 heures
Class A 4 hours

Modèles Models	largeur width	hauteur height	profondeur depth	poids weight
3278-B	81,1 cm 32"	198,1 cm 78"		385,6 kg 850 lbs
3678-B	91,3 cm 36"	198,1 cm 78"		421,8 kg 930 lbs
3684-B	91,3 cm 36"	213,3 cm 84"		458,1 kg 1010 lbs
3278-A	81,1 cm 32"	198,1 cm 78"		498,9 kg 1100 lbs
3678-A	91,3 cm 36"	198,1 cm 78"		548,8 kg 1210 lbs
3684-A	91,3 cm 36"	213,3 cm 84"		607,8 kg 1340 lbs

Catégorie A 4 heures
Class A 4 hours

PLAN D'INSTALLATION
INFORMATIONS FOR
INSULATED VAULT DOORS INSTALLATION

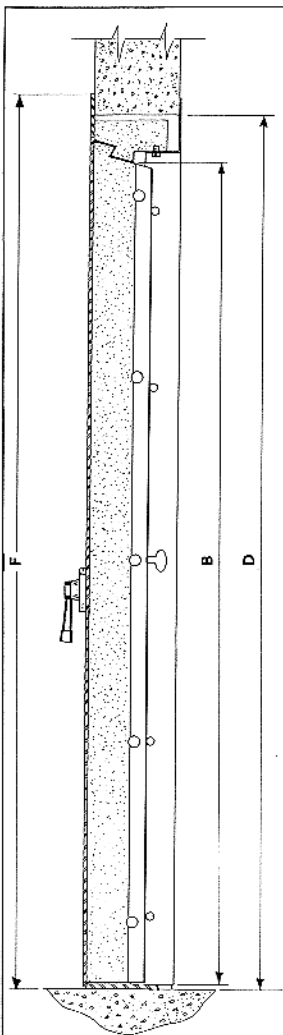


DESCRIPTION

- * Installation sans mortier.
- * Serrure à combinaison à 3 chiffres (Inspecté par: U.L.)
- * Fini peint.
- * Verrouillage assuré par 10 boulons d'acier inoxydable 1" diamètre.
- * Poignée d'urgence pour ouverture immédiate de l'intérieur.
- * Seuil plat pour accès facile.
- * Cadrage en acier pressé rempli de matériaux isolants.
- * S'adapte à différentes épaisseurs de mur 8" à 18".
- * Isolant stable qui ne foule pas.
- * Reverrouillage automatique lors d'une attaque.

DESCRIPTION

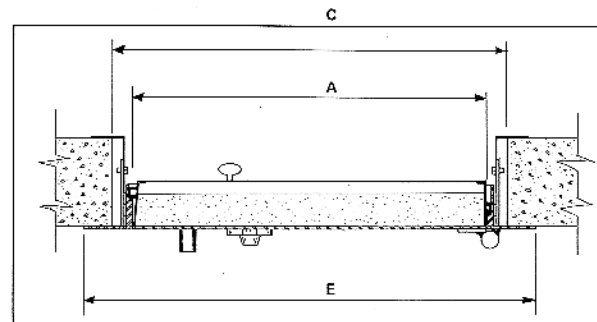
- * No grout installation.
- * 3 wheels combination lock (U.L. Inspected).
- * Painted finish.
- * Locked with 10 - stainless steel bolts 1" dia.
- * Emergency handle for immediate opening of door from inside locked vault.
- * Flat still for easy access.
- * Frame made of pressed steel filled with insulating material.
- * Adaptable to walls of 8" to 18" (Specify).
- * Stable insulating material.
- * Relocking device in case of attack.



Modèle	Ouverture libre Free opening	DIMENSIONS						Weight Poids
		A	B	C	D	E	F	
3278-A	32 x 78	32	78	41	83	44 3/4	84 3/4	1100 lbs
3678-A	36 x 78	36	78	45	83	48 3/4	84 3/4	1210 lbs
3684-A	36 x 84	36	84	45	89	48 3/4	90 3/4	1340 lbs

Catégorie B 2 heures
Class B 2 hours

PLAN D'INSTALLATION
INFORMATIONS FOR
INSULATED VAULT DOORS INSTALLATION

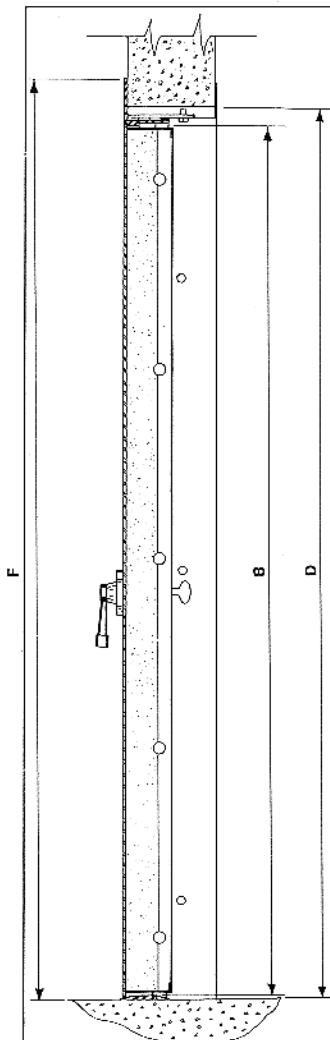


DESCRIPTION:

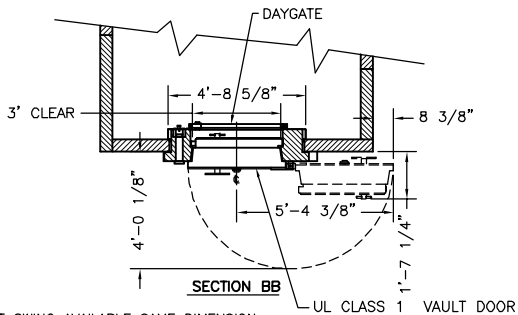
- * Installation sans mortier.
- * Serrure à combinaison à 3 chiffres (Inspecté par: U.L.)
- * Fini: Peint.
- * Verrouillage assuré par 10 boulons d'acier inoxydable 1" diamètre.
- * Poignée d'urgence pour ouverture immédiate de l'intérieur.
- * Seuil plat pour accès facile.
- * Cadrage en cornière d'acier de 4" x 4" x 1/4".
- * S'adapte à différentes épaisseurs de mur (8" à 18").
- * Isolant stable qui ne foule pas.
- * Reverrouillage automatique lors d'une attaque.

DESCRIPTION:

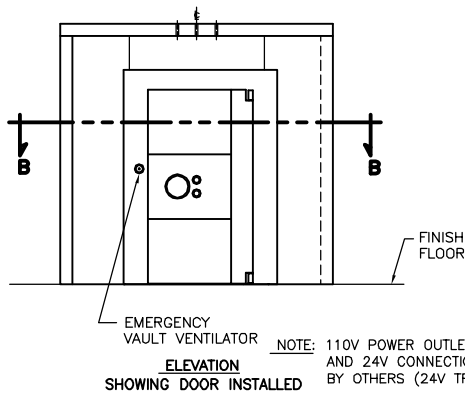
- * No grout installation.
- * 3 wheels combination lock (U.L. Inspected).
- * Painted finish.
- * Locked with 10- stainless steel bolts 1" dia.
- * Emergency handle for immediate opening of door from inside locked vault.
- * Flat still for easy access.
- * Frame made of steel angle 4" x 4" x 1/4".
- * Adaptable to walls of 8" to 18" (Specify).
- * Stable insulating material.
- * Relocking device in case of attack.



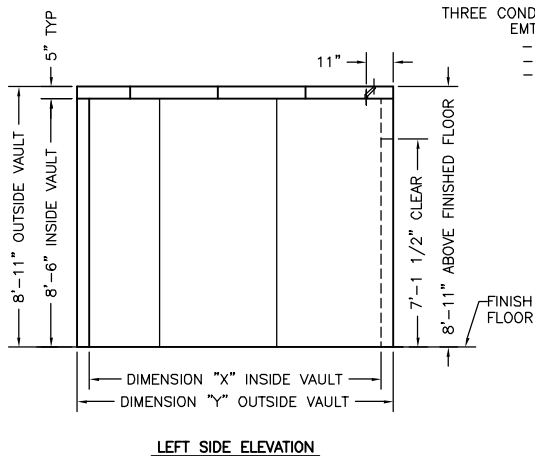
Modèle	Ouverture libre Free opening	DIMENSIONS						Weight Poids
		A	B	C	D	E	F	
3278-B	32" x 78"	32"	78"	35 1/2	80 1/4	40 1/2	82 11/16	850 lbs
3678-B	38" x 78"	36"	78"	39 1/2	80 1/4	44 1/2	82 11/16	930 lbs
3684-B	36" x 84"	36"	84"	39 1/2	86 1/4	44 1/2	88 11/16	1010 lbs



NOTE: LEFT SWING AVAILABLE SAME DIMENSION

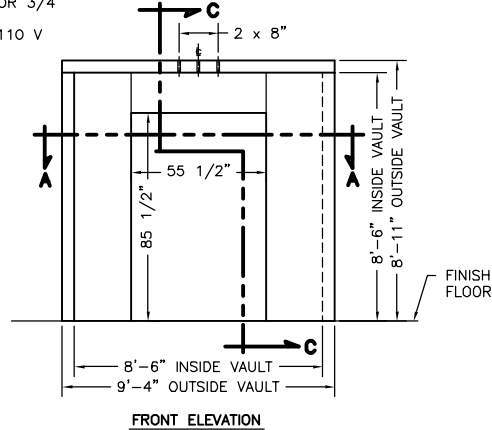


WIRING:
ALARM AND ELECTRICAL COMPONENTS SUPPLIED BY OTHERS, TELEPHONE AND VENTILATOR ARE ALL TO BE WIRED BY OTHERS AS REQUIRED BY GENERAL CONTRACTOR. SEE TOP BACK OF DOOR FRAME TO ACCESS FACTORY SUPPLIED COMPONENT WIRES.



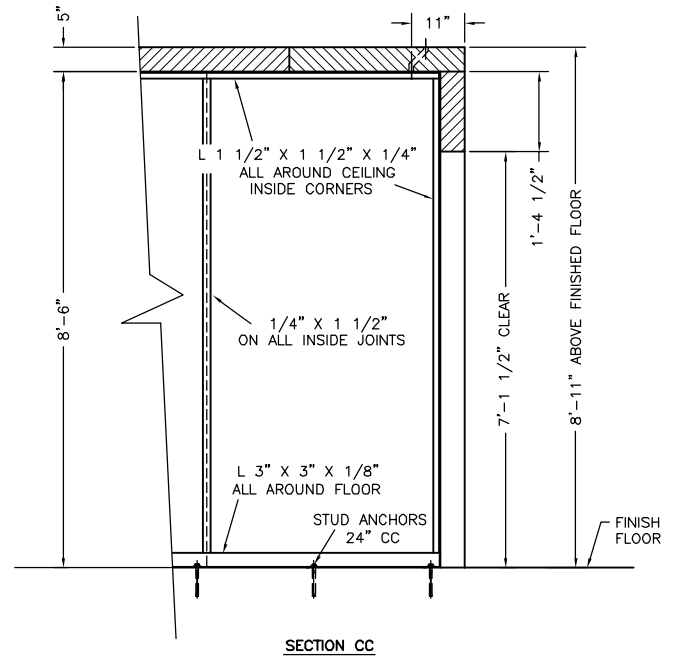
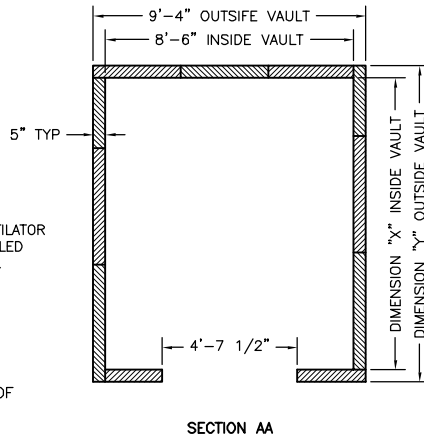
THREE CONDUITS PREPARED TO RECEIVE EMT CONNECTOR 3/4\"/>

- 1 ALARM
- 1 POWER 110 V
- 1 EXTRA



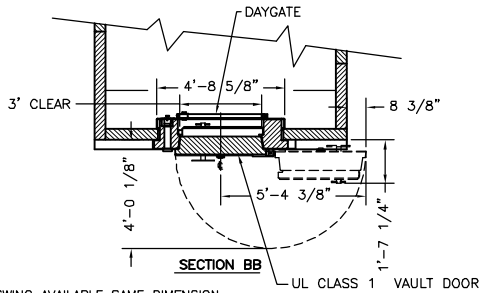
QUOTED SIZE	MODEL	INSIDE DIMENSIONS	DIMENSION "X"	DIMENSION "Y"	WEIGHT
	MV1-5-001	8'-6" X 8'-6" X 8'	8'	8' 10"	29105 LBS
	MV1-5-002	8'-6" X 8'-6" X 9'	9'	9' 10"	30920 LBS
*	MV1-5-003	8'-6" X 8'-6" X 10'	10'	10' 10"	32735 LBS
	MV1-5-004	8'-6" X 8'-6" X 11'	11'	11' 10"	34550 LBS
	MV1-5-005	8'-6" X 8'-6" X 12'	12'	12' 10"	36365 LBS
	MV1-5-006	8'-6" X 8'-6" X 13'	13'	13' 10"	38180 LBS
	MV1-5-007	8'-6" X 8'-6" X 14'	14'	14' 10"	39995 LBS
	MV1-5-008	8'-6" X 8'-6" X 15'	15'	15' 10"	41810 LBS
	MV1-5-009	8'-6" X 8'-6" X 16'	16'	16' 10"	43625 LBS
	MV1-5-010	8'-6" X 8'-6" X 17'	17'	17' 10"	45440 LBS
	MV1-5-011	8'-6" X 8'-6" X 18'	18'	18' 10"	47255 LBS

* MODEL SHOWN

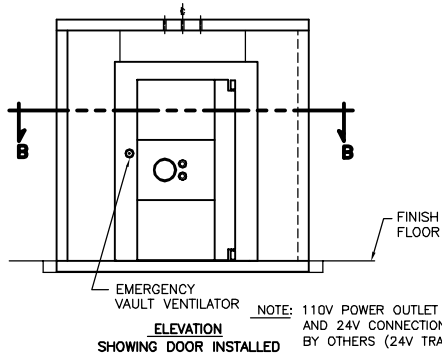


MODULAR VAULT CLASS 1 (5 SIDED)

DRAWING NO	DATE
MV1-5-A	27 10 04



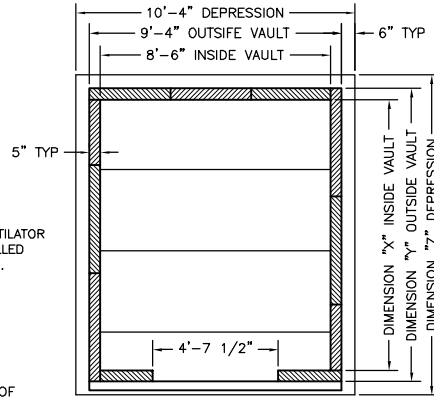
NOTE: LEFT SWING AVAILABLE SAME DIMENSION



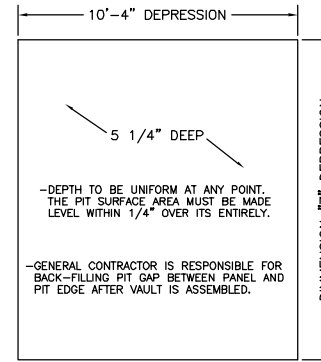
WIRING:
ALARM AND ELECTRICAL COMPONENTS SUPPLIED BY OTHERS, TELEPHONE AND VENTILATOR ARE ALL TO BE WIRED BY OTHERS AS REQUIRED BY GENERAL CONTRACTOR. SEE TOP BACK OF DOOR FRAME TO ACCESS FACTORY SUPPLIED COMPONENT WIRES.

QUOTED SIZE	MODEL	INSIDE DIMENSIONS	DIMENSION "X"	DIMENSION "Y"	DIMENSION "Z"	WEIGHT
	MV1-6-001	8'-6" X 8'-6" X 8'	8'	8'-10"	9'-10"	35010 LBS
	MV1-6-002	8'-6" X 8'-6" X 9'	9'	9'-10"	10'-10"	37470 LBS
	MV1-6-003	8'-6" X 8'-6" X 10'	10'	10'-10"	11'-10"	39930 LBS
	MV1-6-004	8'-6" X 8'-6" X 11'	11'	11'-10"	12'-10"	42390 LBS
	MV1-6-005	8'-6" X 8'-6" X 12'	12'	12'-10"	13'-10"	44850 LBS
	MV1-6-006	8'-6" X 8'-6" X 13'	13'	13'-10"	14'-10"	47310 LBS
	MV1-6-007	8'-6" X 8'-6" X 14'	14'	14'-10"	15'-10"	49770 LBS
	MV1-6-008	8'-6" X 8'-6" X 15'	15'	15'-10"	16'-10"	52230 LBS
	MV1-6-009	8'-6" X 8'-6" X 16'	16'	16'-10"	17'-10"	54690 LBS
	MV1-6-010	8'-6" X 8'-6" X 17'	17'	17'-10"	18'-10"	57150 LBS
	MV1-6-011	8'-6" X 8'-6" X 18'	18'	18'-10"	19'-10"	59610 LBS

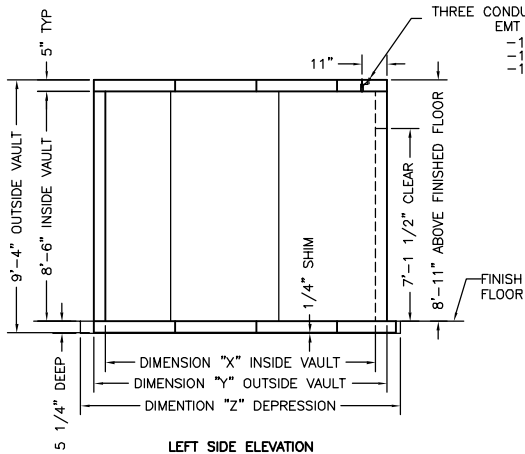
* MODEL SHOWN



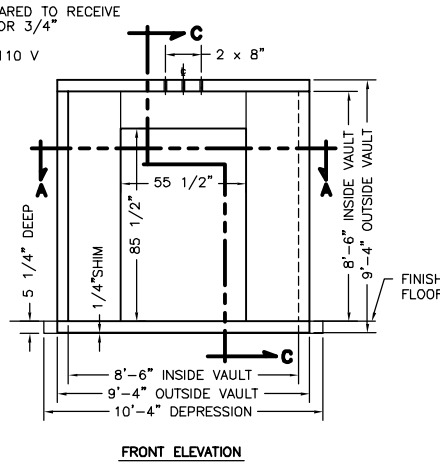
SECTION AA



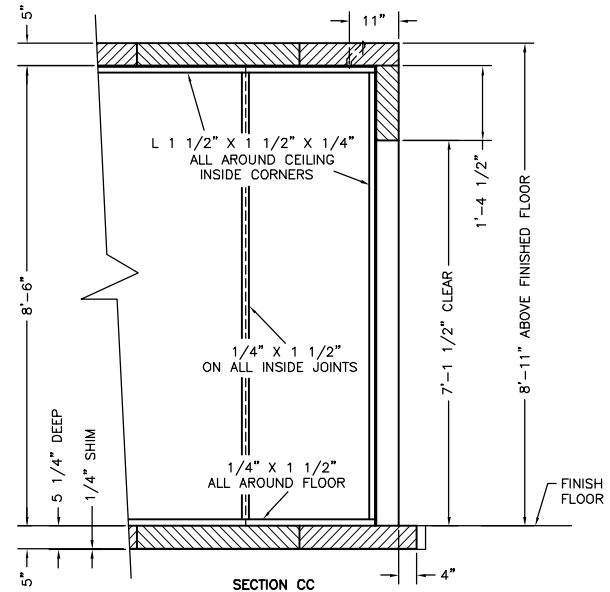
SLAB DEPRESSION PLAN VIEW



LEFT SIDE ELEVATION



FRONT ELEVATION

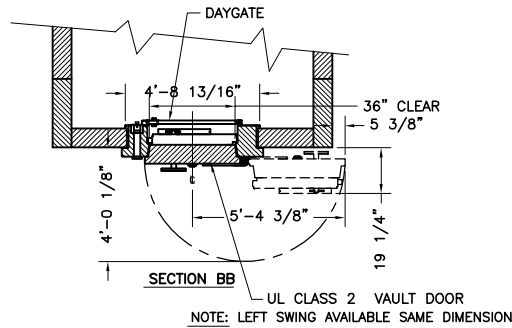


SECTION CC



MODULAR VAULT CLASS 1 (6 SIDED)

DESIGNED BY	DRAWN BY	DATE
MV1-6-A	CV	27/10/04



*

QUOTED SIZE	MODEL	INSIDE DIMENSIONS	DIMENSION "X"	DIMENSION "Y"	WEIGHT
	MV2-5-001	8'-6" X 8-6" X 8'	8'	9'-4"	44455 LBS
	MV2-5-002	8'-6" X 8-6" X 9'	9'	10'-4"	47355 LBS
	MV2-5-003	8'-6" X 8-6" X 10'	10'	11'-4"	50255 LBS
	MV2-5-004	8'-6" X 8-6" X 11'	11'	12'-4"	53155 LBS
	MV2-5-005	8'-6" X 8-6" X 12'	12'	13'-4"	56055 LBS
	MV2-5-006	8'-6" X 8-6" X 13'	13'	14'-4"	58955 LBS
	MV2-5-007	8'-6" X 8-6" X 14'	14'	15'-4"	61855 LBS
	MV2-5-008	8'-6" X 8-6" X 15'	15'	16'-4"	64755 LBS
	MV2-5-009	8'-6" X 8-6" X 16'	16'	17'-4"	67655 LBS
	MV2-5-010	8'-6" X 8-6" X 17'	17'	18'-4"	70555 LBS
	MV2-5-011	8'-6" X 8-6" X 18'	18'	19'-4"	73455 LBS



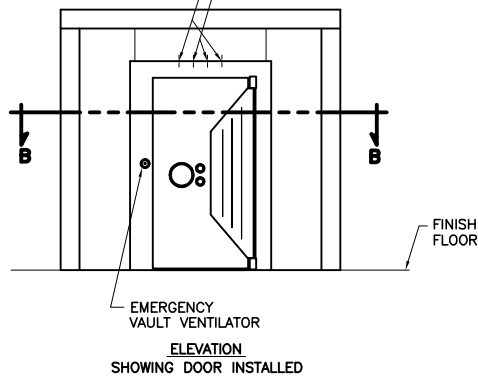
**MODULAR VAULT
CLASS 2 (5 SIDED)**

DESIGNED BY	DATE
MV2-5-A	26 10 04
CHECKED BY	DATE
CV	26 10 04

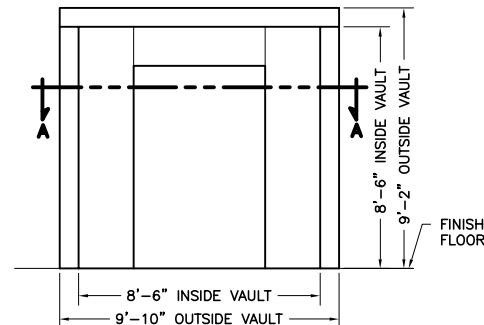
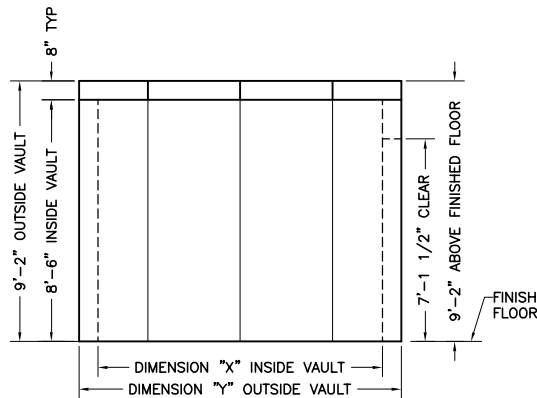
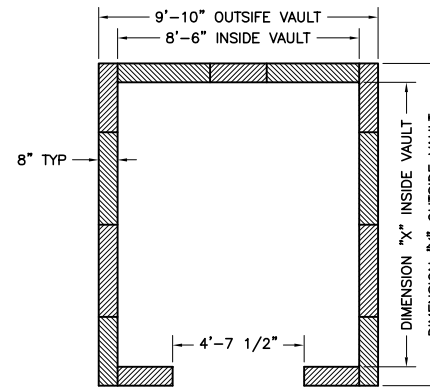
* MODEL SHOWN

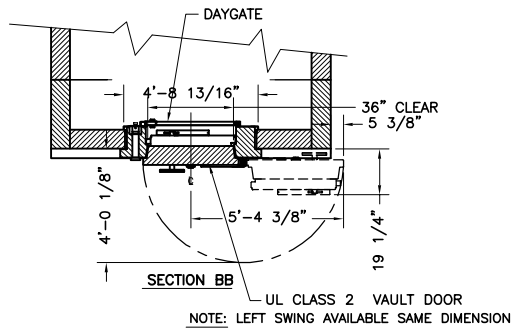
ELECTRICAL CONDUITS (QTY 2 X 3/4" DIA.)

ALARM CONDUITS (QTY 2 X 1/2" DIA.)



WIRING:
ALARM AND ELECTRICAL COMPONENTS SUPPLIED BY OTHERS. TELEPHONE AND VENTILATOR ARE ALL TO BE WIRED BY OTHERS AS REQUIRED BY GENERAL CONTRACTOR. SEE TOP BACK OF DOOR FRAME TO ACCESS FACTORY SUPPLIED COMPONENT WIRES.





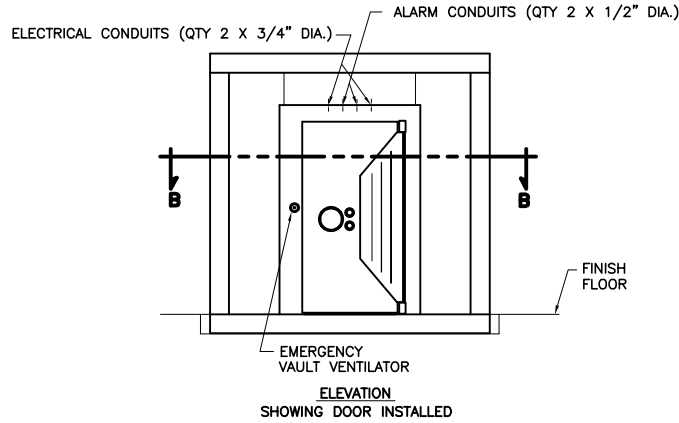
QUOTED SIZE	MODEL	INSIDE DIMENSIONS	DIMENSION "X"	DIMENSION "Y"	DIMENSION "Z"	WEIGHT
	MV2-6-001	8'-6" X 8'-6" X 8'	8'	9'-4"	10'-4"	54720 LBS
	MV2-6-002	8'-6" X 8'-6" X 9'	9'	10'-4"	11'-4"	58680 LBS
*	MV2-6-003	8'-6" X 8'-6" X 10'	10'	11'-4"	12'-4"	62640 LBS
	MV2-6-004	8'-6" X 8'-6" X 11'	11'	12'-4"	13'-4"	66600 LBS
	MV2-6-005	8'-6" X 8'-6" X 12'	12'	13'-4"	14'-4"	70560 LBS
	MV2-6-006	8'-6" X 8'-6" X 13'	13'	14'-4"	15'-4"	74520 LBS
	MV2-6-007	8'-6" X 8'-6" X 14'	14'	15'-4"	16'-4"	78480 LBS
	MV2-6-008	8'-6" X 8'-6" X 15'	15'	16'-4"	17'-4"	82440 LBS
	MV2-6-009	8'-6" X 8'-6" X 16'	16'	17'-4"	18'-4"	86400 LBS
	MV2-6-010	8'-6" X 8'-6" X 17'	17'	18'-4"	19'-4"	90360 LBS
	MV2-6-011	8'-6" X 8'-6" X 18'	18'	19'-4"	20'-4"	94320 LBS

SECURIFORT
INC

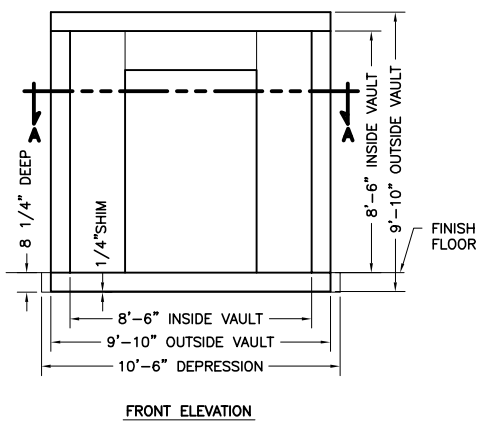
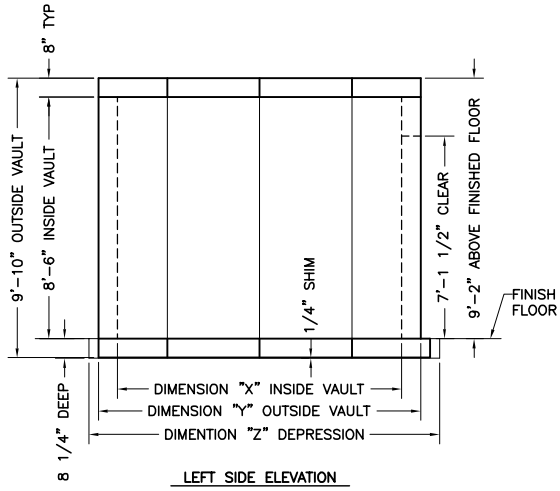
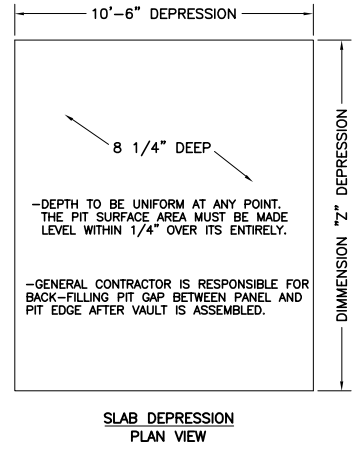
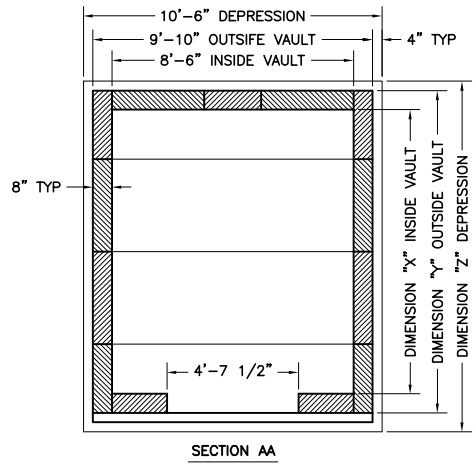
UL Underwriters Laboratories Inc.
Listed

MODULAR VAULT
CLASS 2 (6 SIDED)

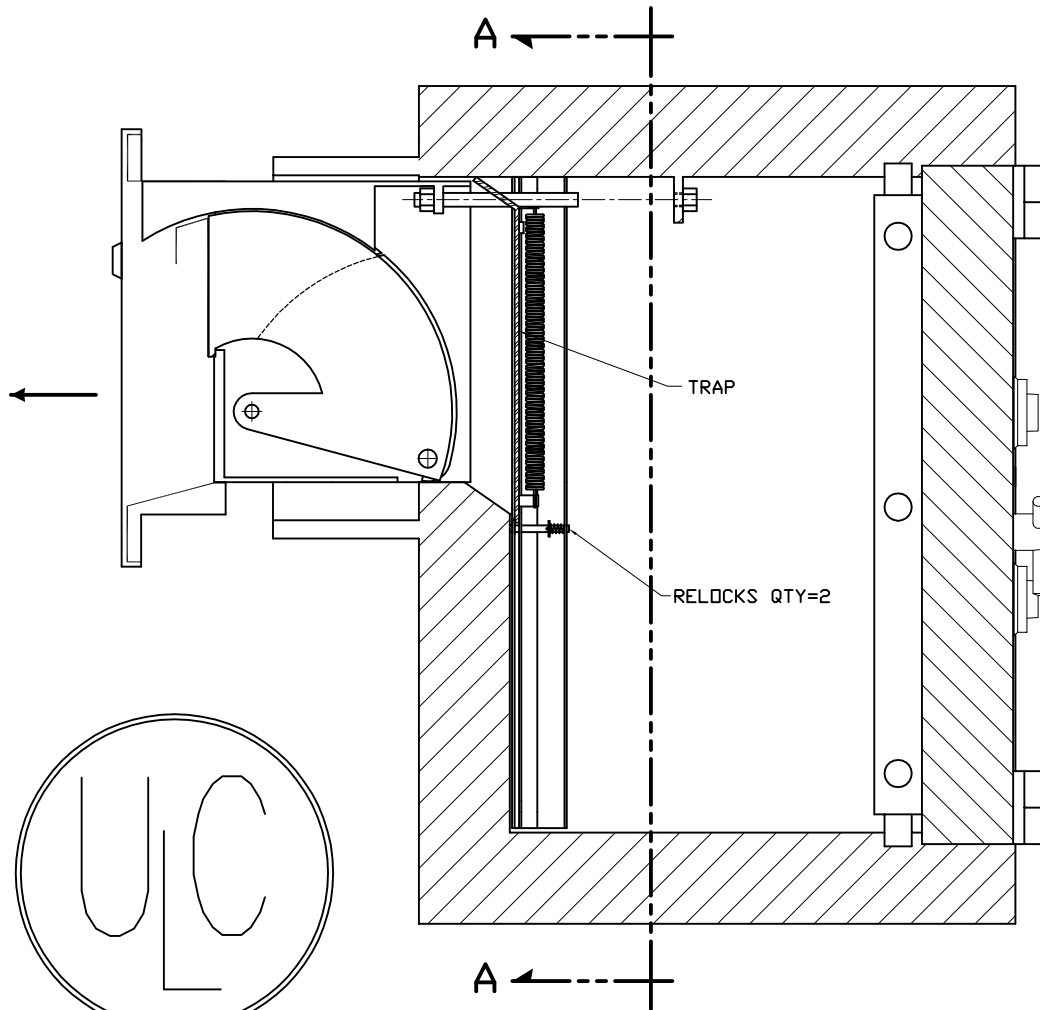
DESIGN NO	DATE BY	REV
MV2-6-A	CV	26 10 04



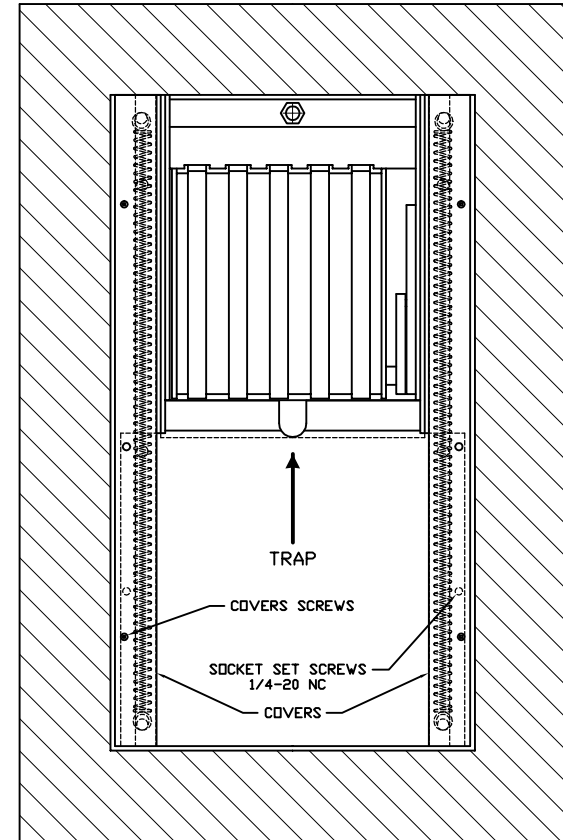
WIRING:
ALARM AND ELECTRICAL COMPONENTS SUPPLIED BY OTHERS, TELEPHONE AND VENTILATOR ARE ALL TO BE WIRED BY OTHERS AS REQUIRED BY GENERAL CONTRACTOR. SEE TOP BACK OF DOOR FRAME TO ACCESS FACTORY SUPPLIED COMPONENT WIRES.



NO	DATE	REVISION	PAR
1	14-5-96	ADD.	CV




VERTICAL CROSS SECTION (NIGHT DEPOSITORY)
POSITION CLOSED TRAP



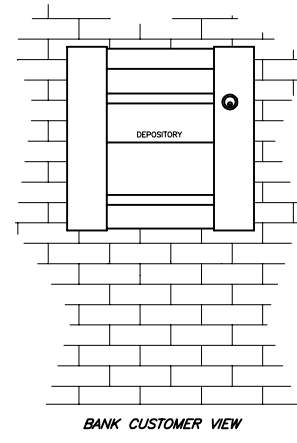
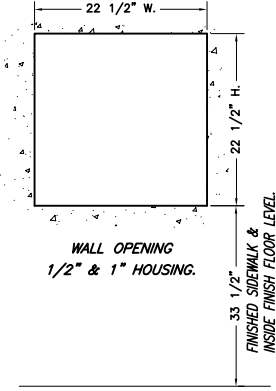
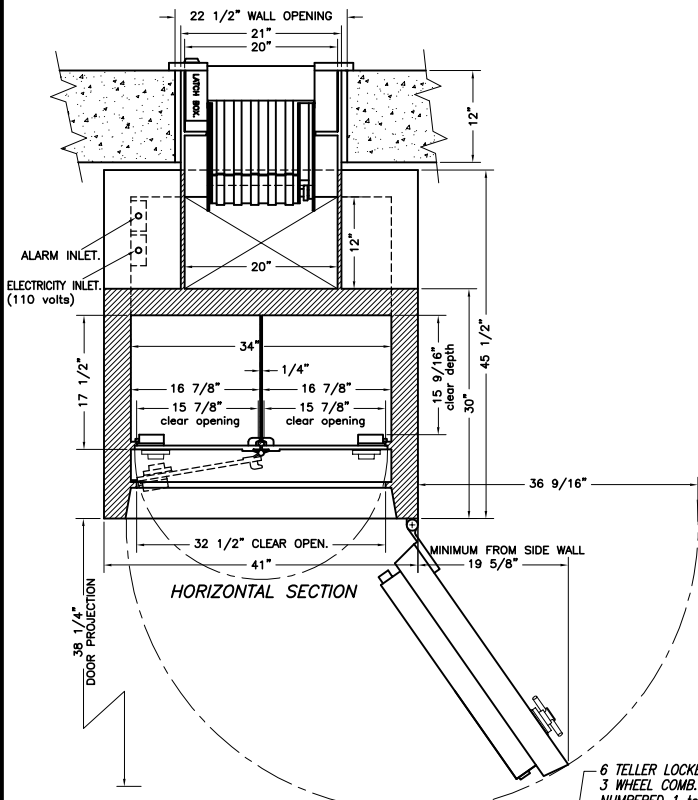
SECTION AA POSITION OPEN TRAP

NOTICE

- BEFORE TAKING OFF THE HEAD MAKE SURE THAT THE TRAP IS NEUTRALIZED.
- TAKE OFF THE 2 VERTICAL COVERS AND TIGHTEN THE 2 SOCKET SET SCREWS 1/4-20 NC TO HOLD THE TRAP IN OPEN POSITION.
- AFTER INSTALLATION OF THE HEAD SO THAT THE TRAP ALSO WILL BE FUNCTIONAL.
- UNSCREW THE 2 SOCKET SET SCREWS 1/4-20 NC AND RE-INSTALL THE 2 COVERS.

 SECURIFORT INC		TITLE	
		TRAP	
		APPLICATION	
		NIGHT DEPOSITORY HEAD	
date		DRAWN BY	APP ED BY
4	4	96	CV
SCALE		3/16"=1"	
PART NO	REF. NO		
SSD-1	PB-482B		
DRAWING NO			
AC-HDT-01-A1			

NO	DATE	REVISION	BY
1	14 05 10	REDRAWN	RM

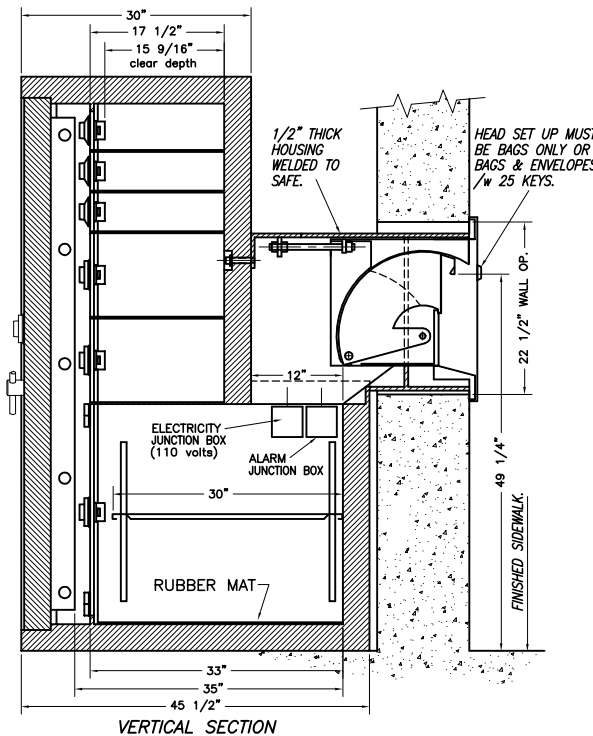
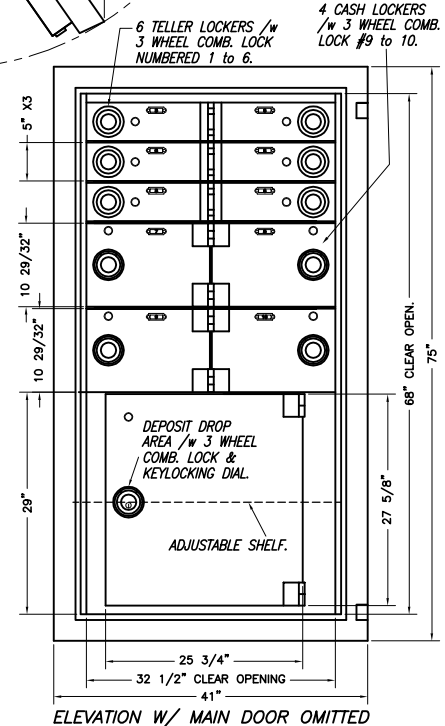
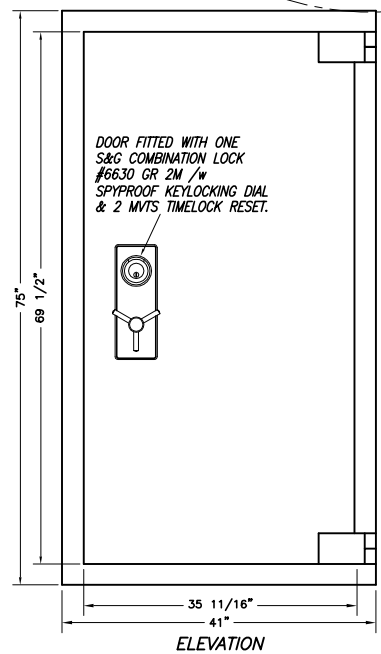
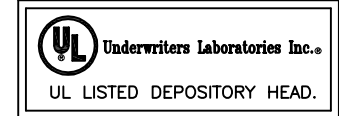


INTERIOR CONSTRUCTION

- DIVIDERS 1/4" TH. STEEL CONSTRUCTION.
- DOORS 1/2" TH. STEEL CONSTRUCTION.
- INTERIOR DOORS PAINTED FINISH.

NOTE: 1" HOUSING OPTIONAL.

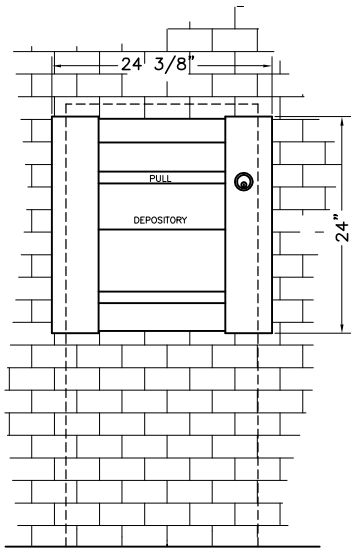
WEIGHT= 5550 lbs. COMPLETE UNIT.



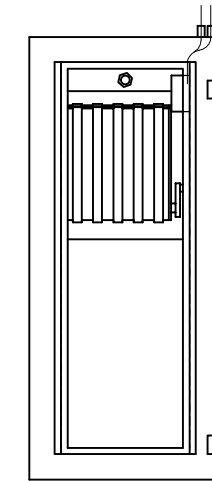
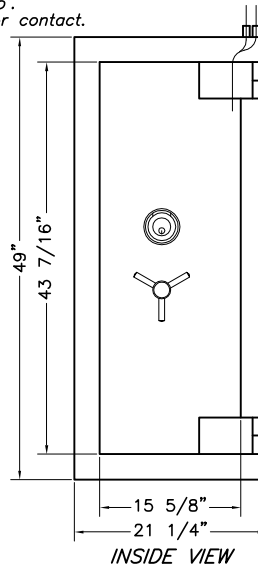
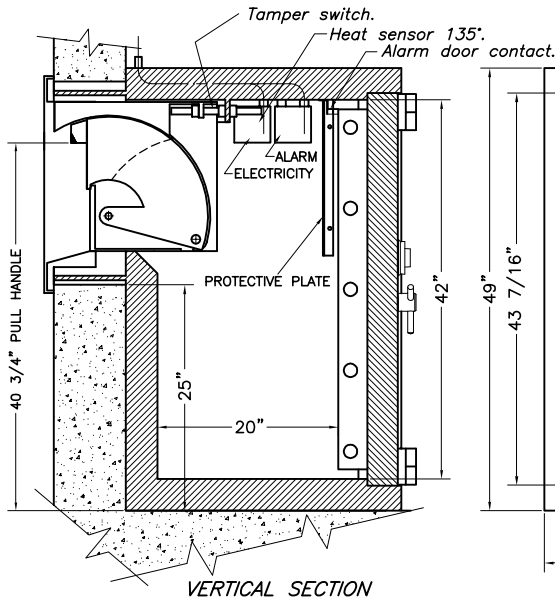
**TOOL-RESISTANT TL-15
DUAL USE BANK SAFE**

DRAWING NO	PC 711	DRAWN BY	RM	DATE	18 03 02
ITEM NO	CN-0683435A-L15				

THIN DRIVE-UP DEPOSITORY (TL-15)



BANK CUSTOMER VIEW



Thin Drive-Up Depository (TL-15)

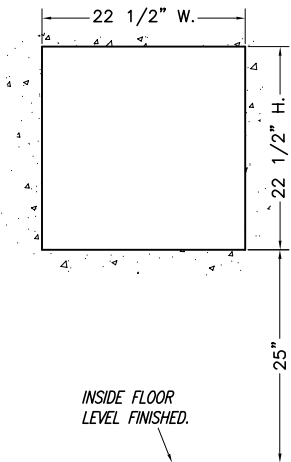
CHARACTERISTICS

- Unit for bag deposits.
- The large capacity bag deposit compartment is exposed only when the required key has operated the lock in the depository frame.
- Anti-fishing device.
- Exterior fascia with stainless steel finish.
- Outside lighting system.
- Door of receiving chest is equipped with 1-3 wheel combination locks GR 2M #6630 with keylocking dial & 4 keys.
- Contacts for installation of alarm hook-up.
- Heat sensor 135° (see drawing).
- Tamper switch (see drawing).
- Alarm door contact (see drawing).
- 25 head keys standard.
- Maintenance free head mechanism.
- WEIGHT= 2050 lbs.

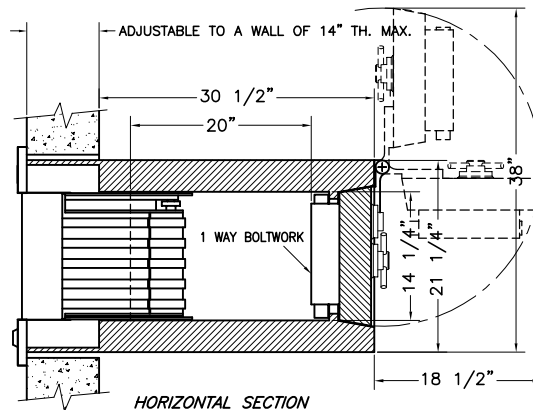
OPTIONS

- 2 movement timelock.
- Unit for bag & envelope deposits. The unit can be changed in the field to bag only.
- Customer engraving on outside fascia.
- Extra head keys.
- Seismic detector.

(Head trap not available on this model).



Wall Opening



Underwriters Laboratories Inc.®

UL LISTED DEPOSITORY HEAD.



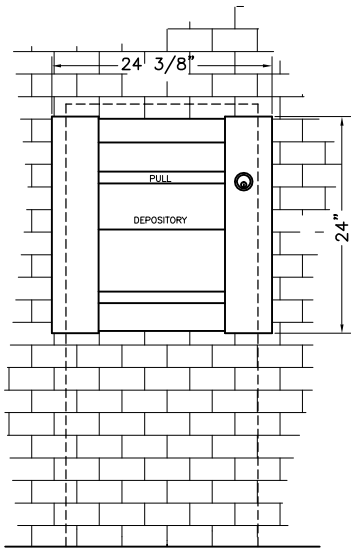
SECURIFORT INC

Thin Drive-Up Depository

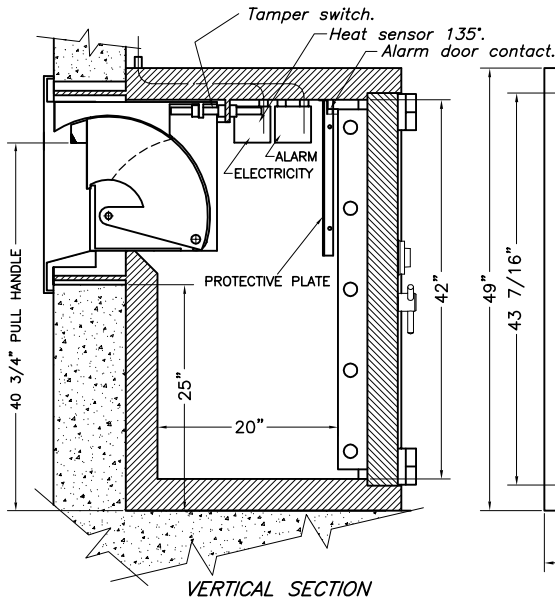
1	04 05 10	REDRAWN	RM
NO	DATE	REVISION	BY

DRAWING NO	PC 691	DRAWN BY	RM	DATE	20 12 01
ITEM NO	CN-0421420-L15				

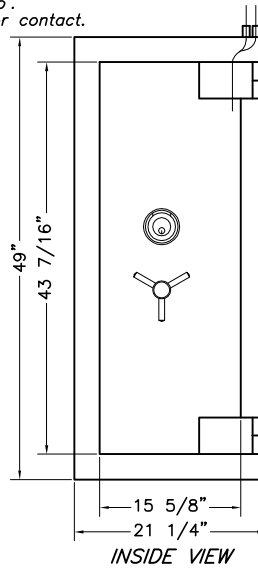
THIN DRIVE-UP DEPOSITORY (TL-30)



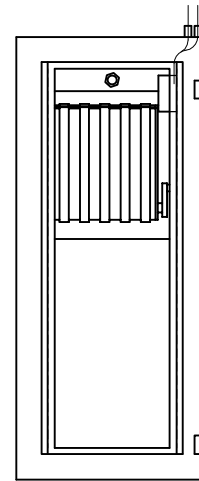
BANK CUSTOMER VIEW



VERTICAL SECTION



INSIDE VIEW



INSIDE VIEW WITH MAIN DOOR OMITTED

Thin Drive-Up Depository (TL-30)

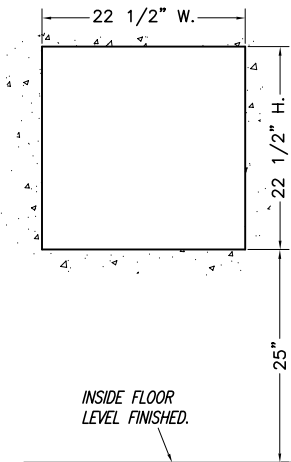
CHARACTERISTICS

- Unit for bag deposits.
- The large capacity bag deposit compartment is exposed only when the required key has operated the lock in the depository frame.
- Anti-fishing device.
- Exterior fascia with stainless steel finish.
- Outside lighting system.
- Door of receiving chest is equipped with 1-3 wheel combination locks GR 2M #6630 with keylocking dial & 4 keys.
- Contacts for installation of alarm hook-up.
- Heat sensor 135° (see drawing).
- Tamper switch (see drawing).
- Alarm door contact (see drawing).
- 25 head keys standard.
- Maintenance free head mechanism.
- WEIGHT= 2050 lbs.

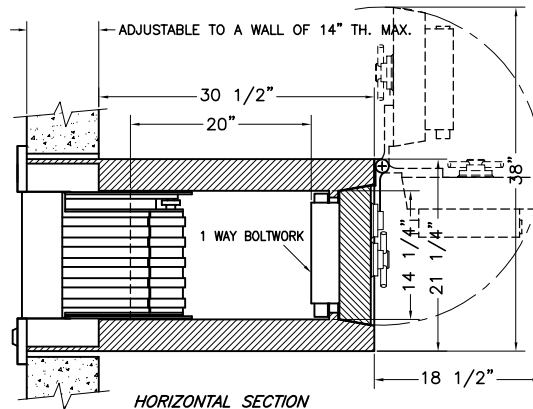
OPTIONS

- 2 movement timelock.
- Unit for bag & envelope deposits. The unit can be changed in the field to bag only.
- Customer engraving on outside fascia.
- Available in TL-30x6 model.
- Extra head keys.
- Seismic detector.


(Head trap not available on this model).




Wall Opening



HORIZONTAL SECTION

 Underwriters Laboratories Inc.®
UL LISTED DEPOSITORY HEAD.

 **TOOL-RESISTANT SAFE**
CLASS TL-30 BURGLARY
ALSO SUITABLE FOR USE AS RECEIVING CHEST FOR NIGHT DEPOSITORY
LISTED
SECURIFORT INC.

 **SECURIFORT**
INC

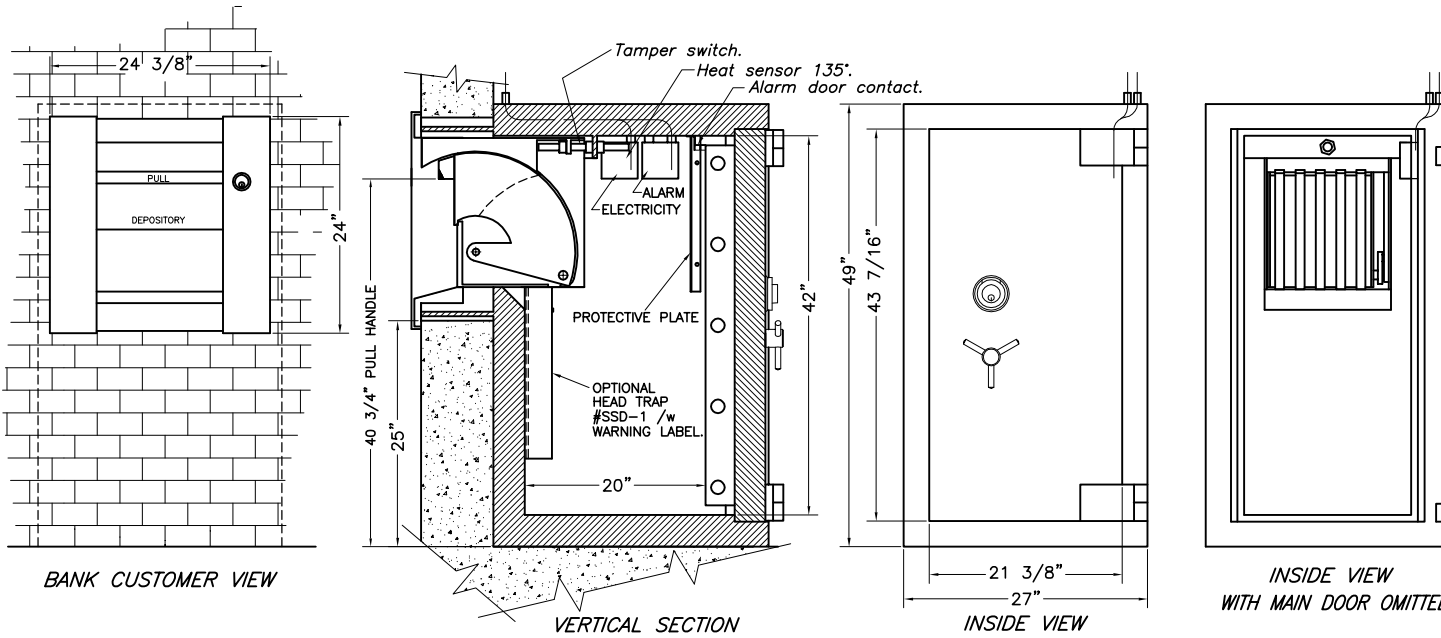
 Underwriters Laboratories Inc.®
Listed

Thin Drive-Up Depository

1	04 05 10	REDRAWN	RM
NO	DATE	REVISION	BY

DRAWING NO	PC 661	DRAWN BY	RM	DATE	20 12 01
ITEM NO	CN-0421420-L30				

REGULAR DRIVE-UP DEPOSITORY (TL-15)



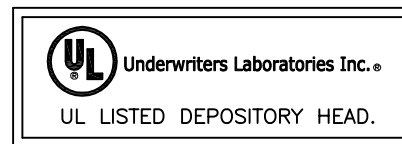
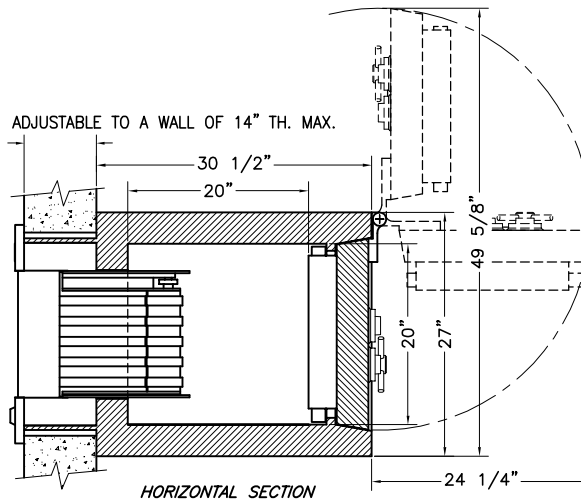
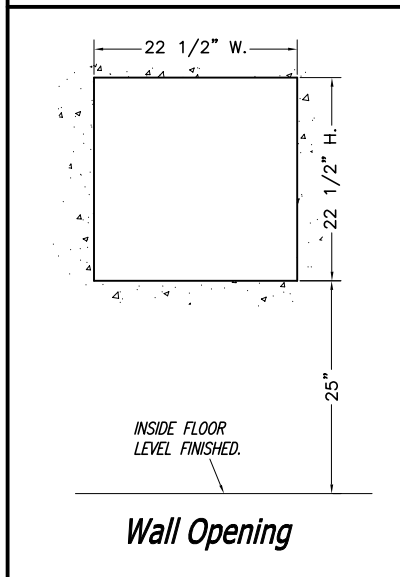
Regular Drive-Up Depository (TL-15)

CHARACTERISTICS

- Unit for bag deposits.
- The large capacity bag deposit compartment is exposed only when the required key has operated the lock in the depository frame.
- Anti-fishing device.
- Exterior fascia with stainless steel finish.
- Outside lighting system.
- Door of receiving chest is equipped with 1-3 wheel combination locks GR 2M #6630 with keylocking dial & 4 keys.
- Contacts for installation of alarm hook-up.
- Heat sensor 135° (see drawing).
- Tamper switch (see drawing).
- Alarm door contact (see drawing).
- 25 head keys standard.
- Maintenance free head mechanism.
- APPROX. WEIGHT= 2370 lbs.

OPTIONS

- 2 movement timelock.
- Head trap #SSD-1.
- Unit for bag & envelope deposits. The unit can be changed in the field to bag only.
- Customer engraving on outside fascia.
- Extra head keys.
- Seismic detector.

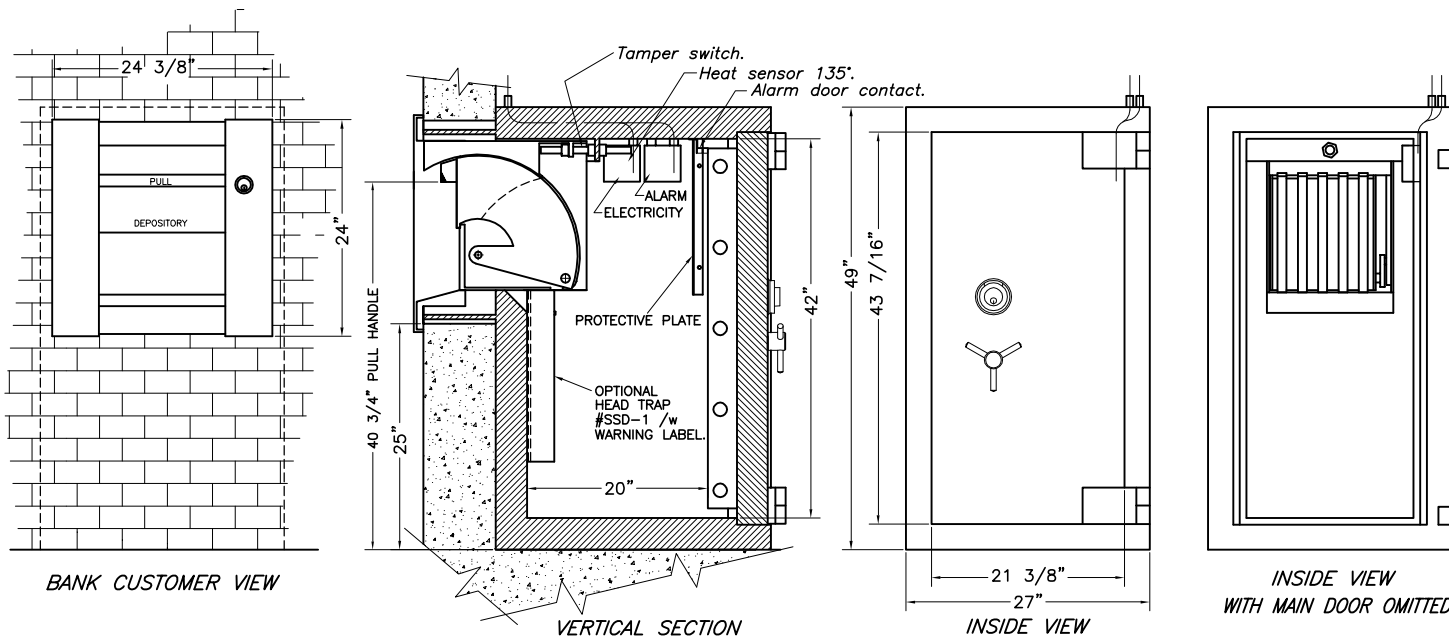


Regular Drive-Up Depository

1	05 05 10	REDRAWN	RM
NO	DATE	REVISION	BY

DRAWING NO	PC 692	DRAWN BY	RM	DATE	21 12 01
ITEM NO	CN-0422020-L15				

REGULAR DRIVE-UP DEPOSITORY (TL-30)



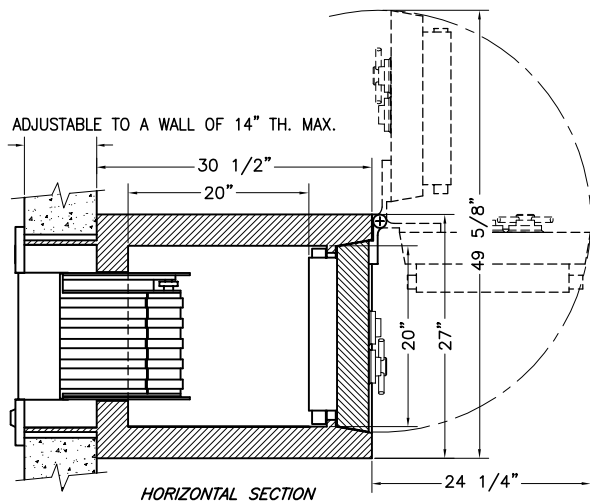
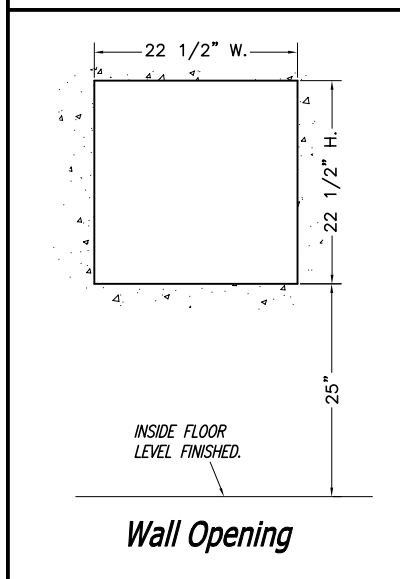
Regular Drive-Up Depository (TL-30)


CHARACTERISTICS


- Unit for bag deposits.
- The large capacity bag deposit compartment is exposed only when the required key has operated the lock in the depository frame.
- Anti-fishing device.
- Exterior fascia with stainless steel finish.
- Outside lighting system.
- Door of receiving chest is equipped with 1-3 wheel combination locks GR 2M #6630 with keylocking dial & 4 keys.
- Contacts for installation of alarm hook-up.
- Heat sensor 135° (see drawing).
- Tamper switch (see drawing).
- Alarm door contact (see drawing).
- 25 head keys standard.
- Maintenance free head mechanism.
- APPROX. WEIGHT= 2370 lbs.

OPTIONS

- 2 movement timelock.
- Head trap #SSD-1.
- Unit for bag & envelope deposits. The unit can be changed in the field to bag only.
- Customer engraving on outside fascia.
- Available in TL-30x6 model.
- Extra head keys.
- Seismic detector.



 Underwriters Laboratories Inc.®
UL LISTED DEPOSITORY HEAD.

 **TOOL-RESISTANT SAFE**
CLASS TL-30 BURGLARY
ALSO SUITABLE FOR USE AS RECEIVING CHEST
FOR NIGHT DEPOSITORY
SECURIFORT INC.

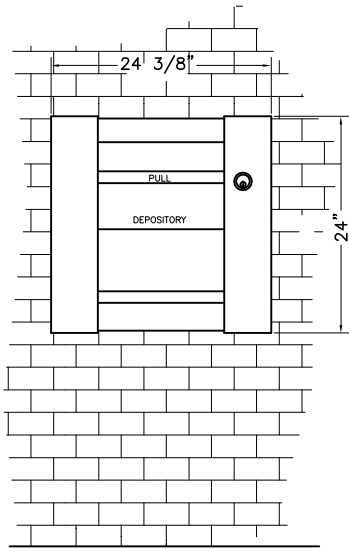
 **SECURIFORT**
INC

 Underwriters Laboratories Inc.®
Listed
**Regular Drive-Up
Depository**

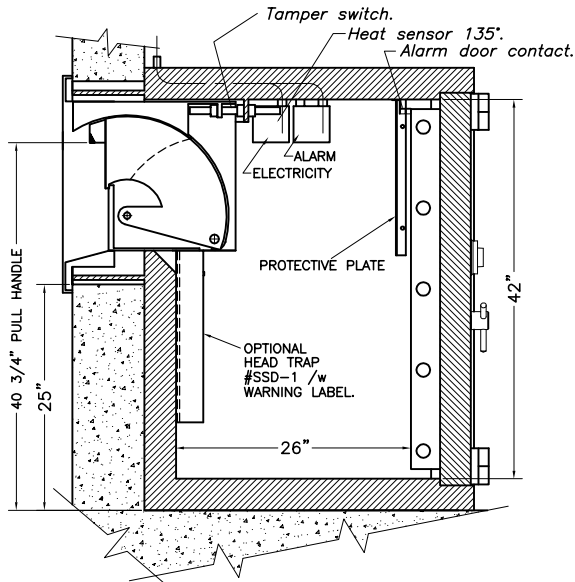
1	05 05 10	REDRAWN	RM
NO	DATE	REVISION	BY

DRAWING NO	DRAWN BY	DATE
PC 662	RM	20 12 01
ITEM NO	CN-0422020-L30	

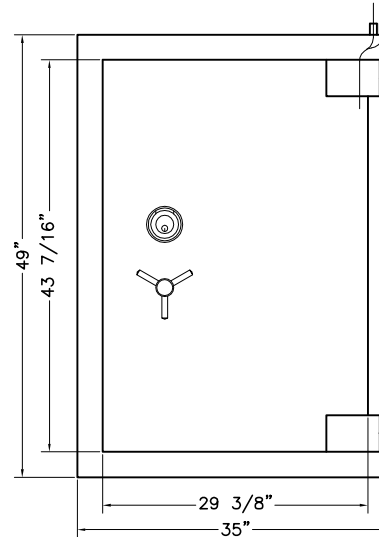
JUMBO DRIVE-UP DEPOSITORY (TL-15)



BANK CUSTOMER VIEW



VERTICAL SECTION



INSIDE VIEW

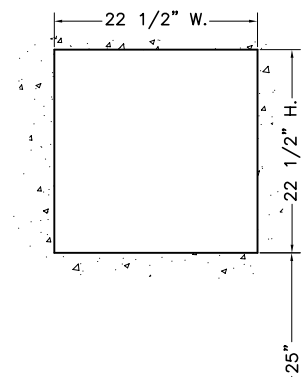
Jumbo Drive-Up Depository (TL-15)

CHARACTERISTICS

- Unit for bag deposits.
- The large capacity bag deposit compartment is exposed only when the required key has operated the lock in the depository frame.
- Anti-fishing device.
- Exterior fascia with stainless steel finish.
- Outside lighting system.
- Door of receiving chest is equipped with 1-3 wheel combination locks GR 2M #6630 with keylocking dial & 4 keys.
- Contacts for installation of alarm hook-up.
- Heat sensor 135° (see drawing).
- Tamper switch (see drawing).
- Alarm door contact (see drawing).
- 25 head keys standard.
- Maintenance free head mechanism.
- APPROX. WEIGHT= 3150 lbs.

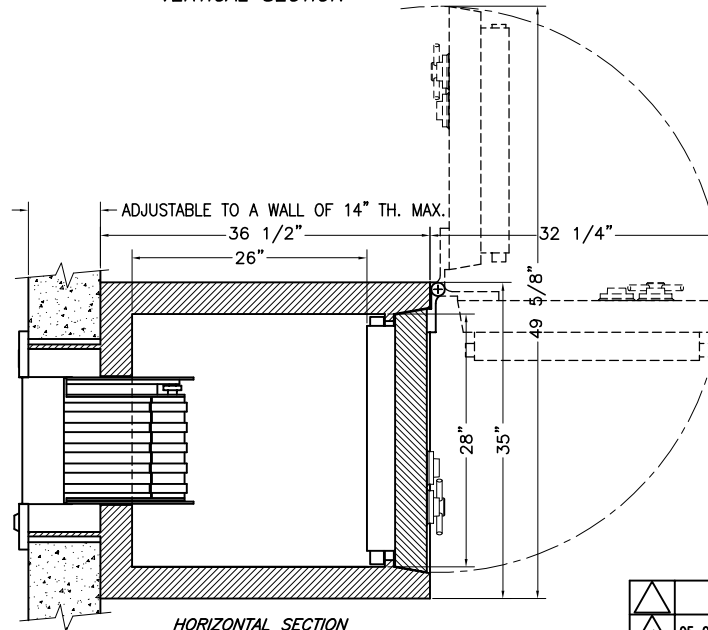
OPTIONS

- 2 movement timelock.
- Head trap #SSD-1.
- Unit for bag & envelope deposits. The unit can be changed in the field to bag only.
- Customer engraving on outside fascia.
- Extra head keys.
- Seismic detector.

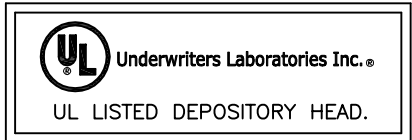


INSIDE FLOOR LEVEL FINISHED.

Wall Opening



HORIZONTAL SECTION

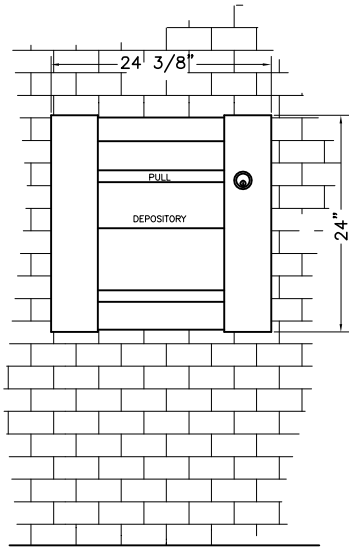


Jumbo Drive-Up Depository

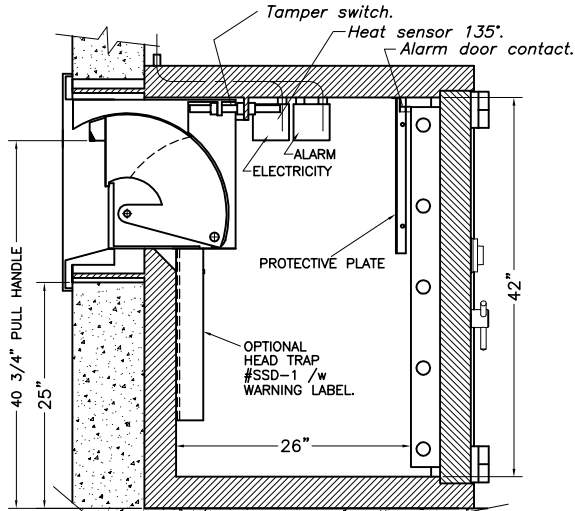
1	05 05 10	REDRAWN	RM
NO	DATE	REVISION	BY

DRAWING NO	PC 693	DRAWN BY	RM	DATE	21 12 01
ITEM NO	CN-0422826-L15				

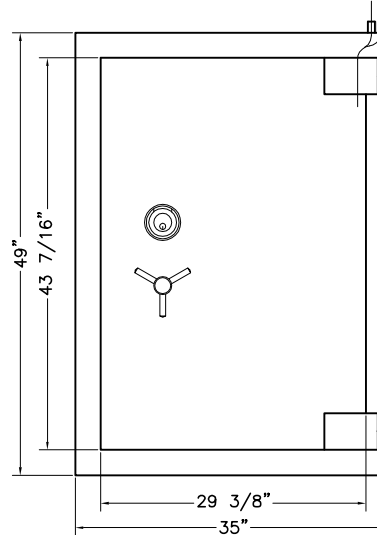
JUMBO DRIVE-UP DEPOSITORY (TL-30)



BANK CUSTOMER VIEW



VERTICAL SECTION



INSIDE VIEW

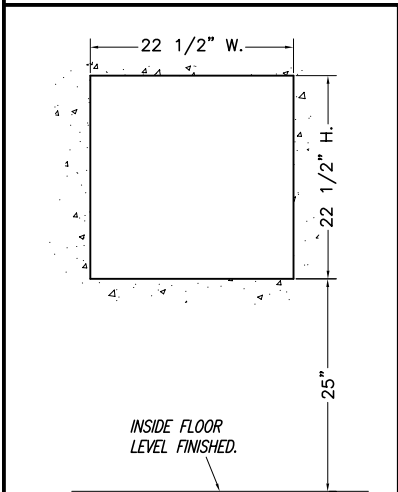
Jumbo Drive-Up Depository (TL-30)

CHARACTERISTICS

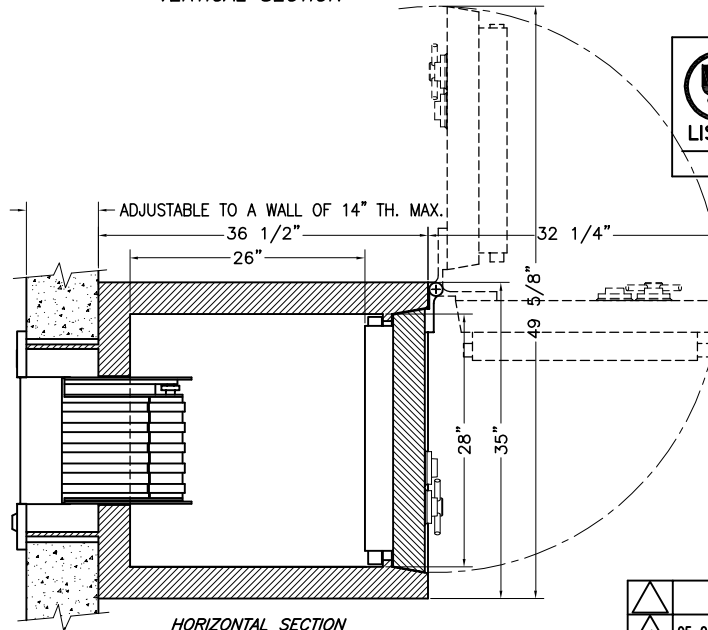
- Unit for bag deposits.
- The large capacity bag deposit compartment is exposed only when the required key has operated the lock in the depository frame.
- Anti-fishing device.
- Exterior fascia with stainless steel finish.
- Outside lighting system.
- Door of receiving chest is equipped with 1-3 wheel combination locks GR 2M #6630 with keylocking dial & 4 keys.
- Contacts for installation of alarm hook-up.
- Heat sensor 135° (see drawing).
- Tamper switch (see drawing).
- Alarm door contact (see drawing).
- 25 head keys standard.
- Maintenance free head mechanism.
- APPROX. WEIGHT= 3150 lbs.

OPTIONS

- 2 movement timelock.
- Head trap #SSD-1.
- Unit for bag & envelope deposits. The unit can be changed in the field to bag only.
- Customer engraving on outside fascia.
- Available in TL-30x6 model.
- Extra head keys.
- Seismic detector.



Wall Opening



HORIZONTAL SECTION

UL LISTED

TOOL-RESISTANT SAFE
CLASS TL-30 BURGLARY

ALSO SUITABLE FOR USE AS RECEIVING CHEST FOR NIGHT DEPOSITORY

SECURIFORT INC.

UL Underwriters Laboratories Inc.®

UL LISTED DEPOSITORY HEAD.



UL Underwriters Laboratories Inc.®

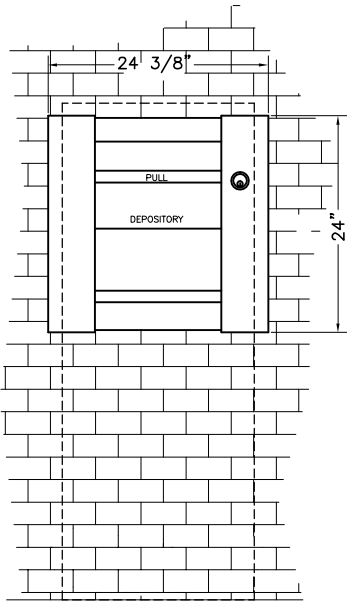
Listed

Jumbo Drive-Up Depository

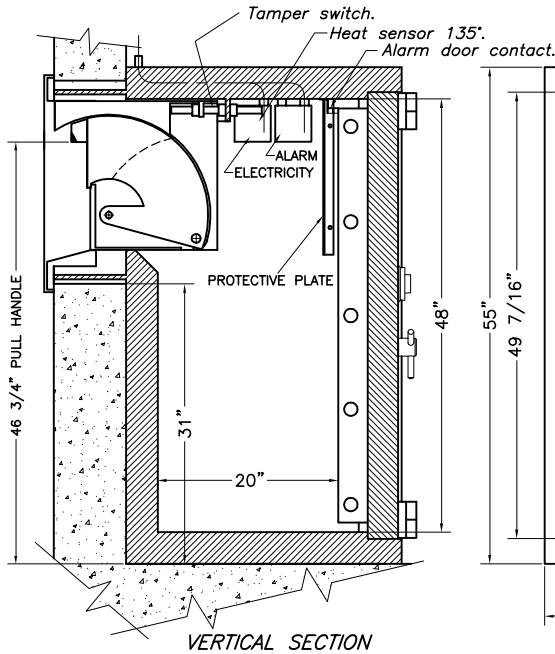
DRAWING NO	PC 663	DRAWN BY	RM	DATE	20 12 01
ITEM NO	CN-0422826-L30				

NO	DATE	REVISION	BY
1	05 05 10	REDRAWN	RM

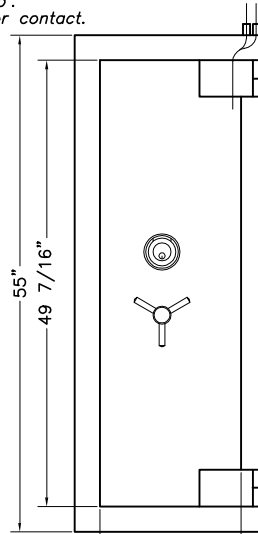
THIN WALK-UP DEPOSITORY (TL-15)



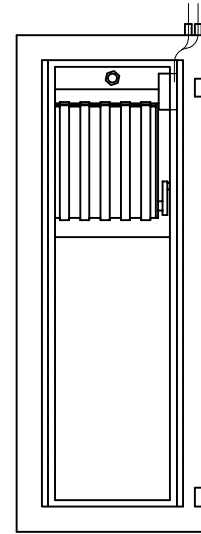
BANK CUSTOMER VIEW



VERTICAL SECTION



INSIDE VIEW



INSIDE VIEW WITH MAIN DOOR OMITTED

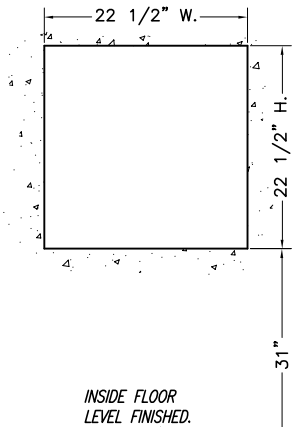
Thin Walk-Up Depository (TL-15)

CHARACTERISTICS

- Unit for bag deposits.
- The large capacity bag deposit compartment is exposed only when the required key has operated the lock in the depository frame.
- Anti-fishing device.
- Exterior fascia with stainless steel finish.
- Outside lighting system.
- Door of receiving chest is equipped with 1-3 wheel combination locks GR 2M #6630 with keylocking dial & 4 keys.
- Contacts for installation of alarm hook-up.
- Heat sensor 135° (see drawing).
- Tamper switch (see drawing).
- Alarm door contact (see drawing).
- 25 head keys standard.
- Maintenance free head mechanism.
- WEIGHT= 2250 lbs.

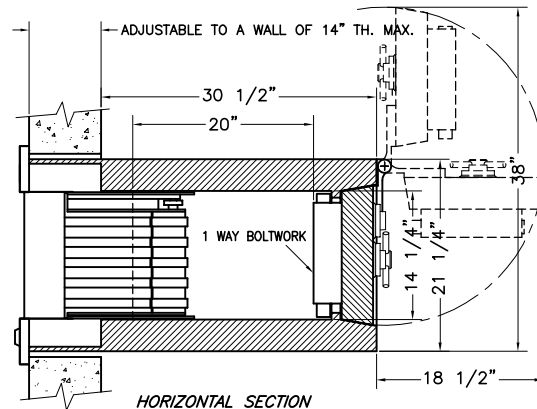
OPTIONS

- 2 movement timelock.
 - Unit for bag & envelope deposits. The unit can be changed in the field to bag only.
 - Customer engraving on outside fascia.
 - Extra head keys.
 - Seismic detector.
- (Head trap not available on this model).

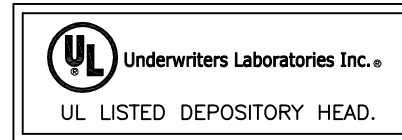


INSIDE FLOOR LEVEL FINISHED.

Wall Opening



HORIZONTAL SECTION

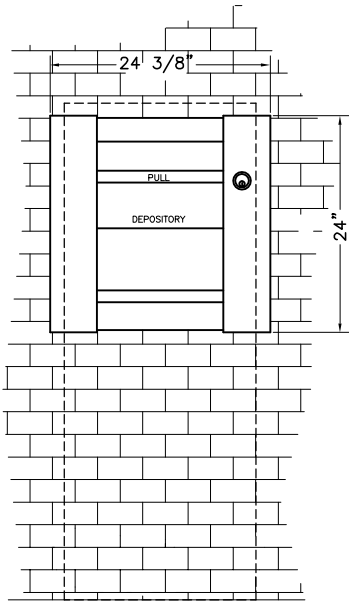


Thin Walk-Up Depository

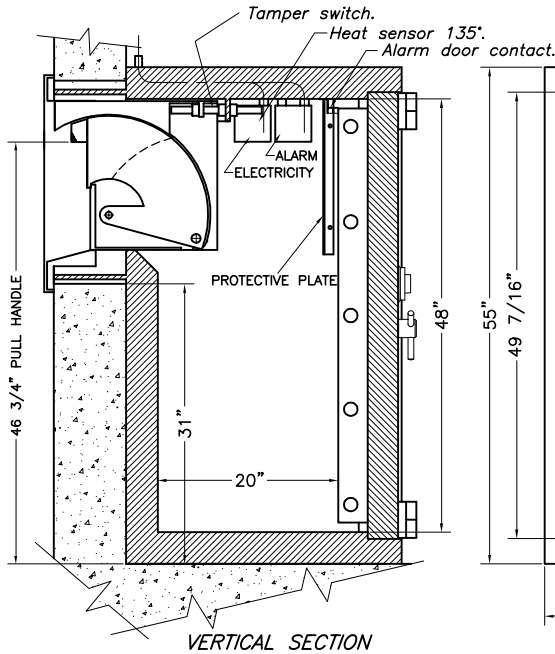
1	04 05 10	REDRAWN	RM
NO	DATE	REVISION	BY

DRAWING NO	PC 688	DRAWN BY	RM	DATE	21 12 01
ITEM NO	CN-0481420-L15				

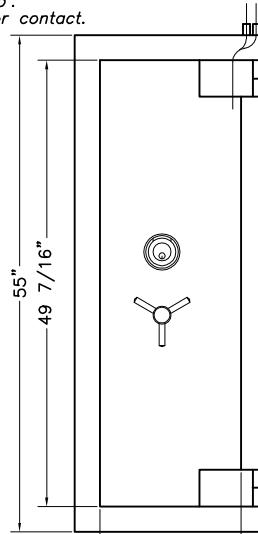
THIN WALK-UP DEPOSITORY (TL-30)



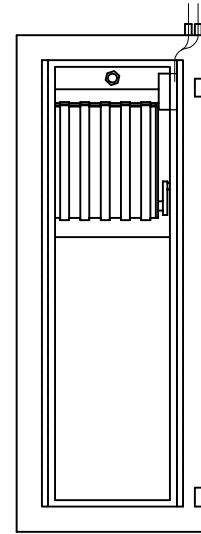
BANK CUSTOMER VIEW



VERTICAL SECTION



INSIDE VIEW



INSIDE VIEW
WITH MAIN DOOR OMITTED

Thin Walk-Up Depository (TL-30)

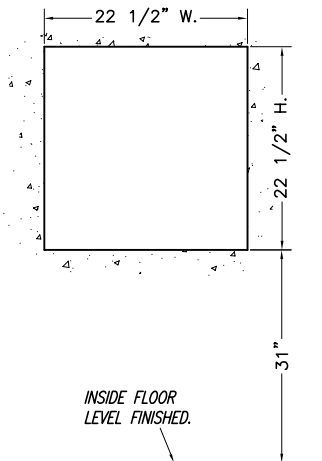
CHARACTERISTICS

- Unit for bag deposits.
- The large capacity bag deposit compartment is exposed only when the required key has operated the lock in the depository frame.
- Anti-fishing device.
- Exterior fascia with stainless steel finish.
- Outside lighting system.
- Door of receiving chest is equipped with 1-3 wheel combination locks GR 2M #6630 with keylocking dial & 4 keys.
- Contacts for installation of alarm hook-up.
- Heat sensor 135° (see drawing).
- Tamper switch (see drawing).
- Alarm door contact (see drawing).
- 25 head keys standard.
- Maintenance free head mechanism.
- WEIGHT= 2250 lbs.

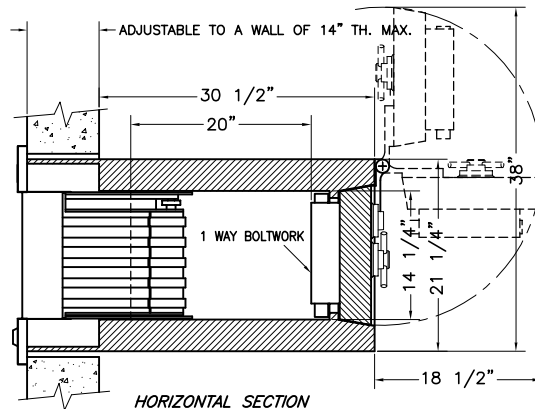
OPTIONS

- 2 movement timelock.
- Unit for bag & envelope deposits. The unit can be changed in the field to bag only.
- Customer engraving on outside fascia.
- Available in TL-30x6 model.
- Extra head keys.
- Seismic detector.


(Head trap not available on this model).




Wall Opening



HORIZONTAL SECTION

 Underwriters Laboratories Inc.®
UL LISTED DEPOSITORY HEAD.

 TOOL-RESISTANT SAFE
CLASS TL-30 BURGLARY
ALSO SUITABLE FOR USE AS RECEIVING CHEST
FOR NIGHT DEPOSITORY
LISTED
SECURIFORT INC.

4	04 05 10	REDRAWN	RM
3	20 11 06	DOOR PROJECTION ADDED.	RM
2	08 05 02	"PULL" IDENT. ADDED ON FASCIA.	RM
1	08 05 02	5 SLIDING BOLTS WAS 3.	RM
NO	DATE	REVISION	BY

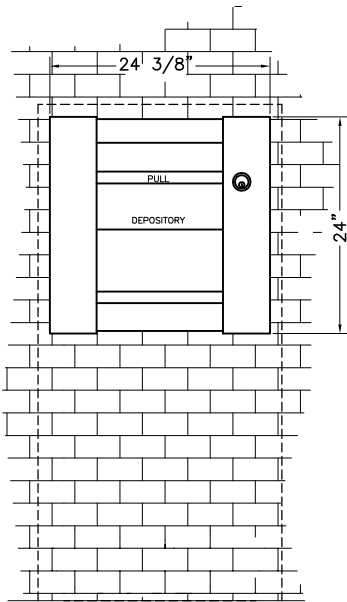
 **SECURIFORT**
INC

 Underwriters Laboratories Inc.®
Listed

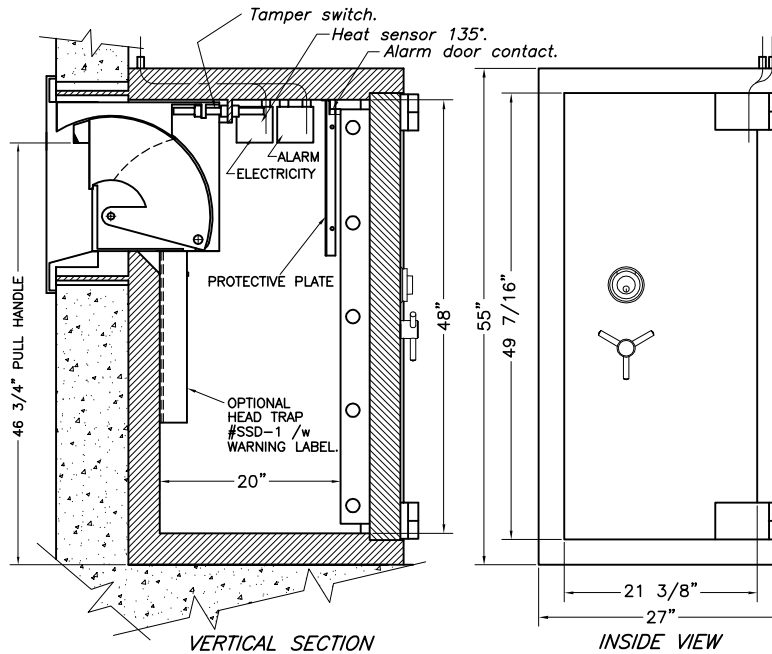
Thin Walk-Up Depository

DRAWING NO	PC 658	DRAWN BY	RM	DATE	20 12 01
ITEM NO	CN-0481420-L30				

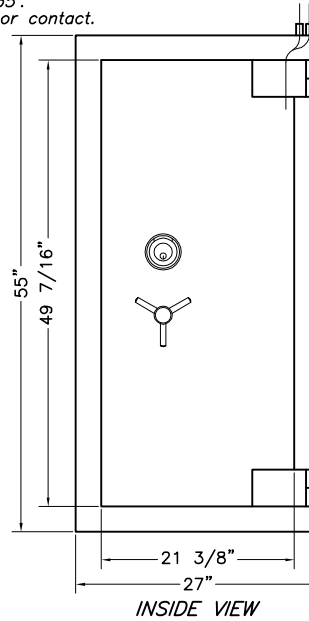
REGULAR WALK-UP DEPOSITORY (TL-15)



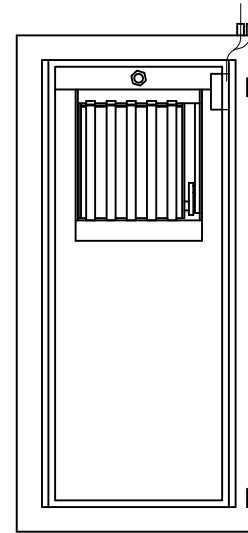
BANK CUSTOMER VIEW



VERTICAL SECTION



INSIDE VIEW



INSIDE VIEW WITH MAIN DOOR OMITTED

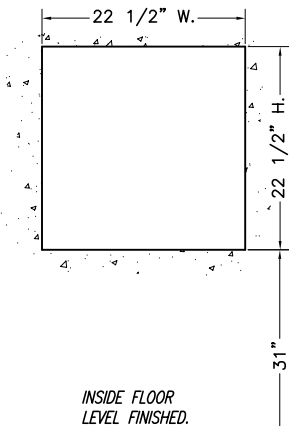
Regular Walk-Up Depository (TL-15)

CHARACTERISTICS

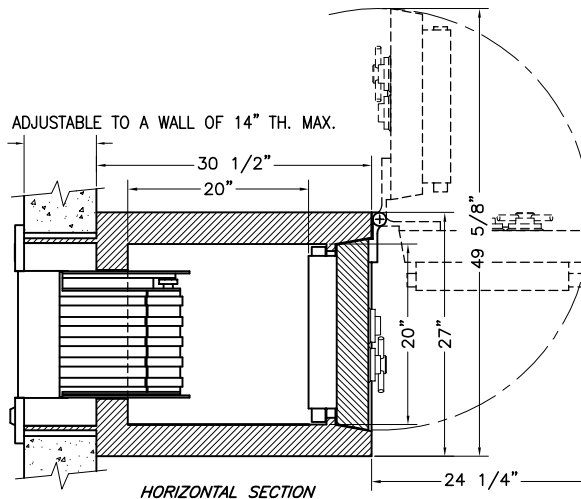
- Unit for bag deposits.
- The large capacity bag deposit compartment is exposed only when the required key has operated the lock in the depository frame.
- Anti-fishing device.
- Exterior fascia with stainless steel finish.
- Outside lighting system.
- Door of receiving chest is equipped with 1-3 wheel combination locks GR 2M #6630 with keylocking dial & 4 keys.
- Contacts for installation of alarm hook-up.
- Heat sensor 135° (see drawing).
- Tamper switch (see drawing).
- Alarm door contact (see drawing).
- 25 head keys standard.
- Maintenance free head mechanism.
- APPROX. WEIGHT= 2600 lbs.

OPTIONS

- 2 movement timelock.
- Head trap #SSD-1.
- Unit for bag & envelope deposits. The unit can be changed in the field to bag only.
- Customer engraving on outside fascia.
- Extra head keys.
- Seismic detector.



Wall Opening



HORIZONTAL SECTION



Underwriters Laboratories Inc.®

UL LISTED DEPOSITORY HEAD.



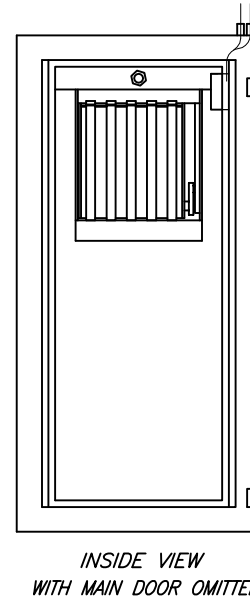
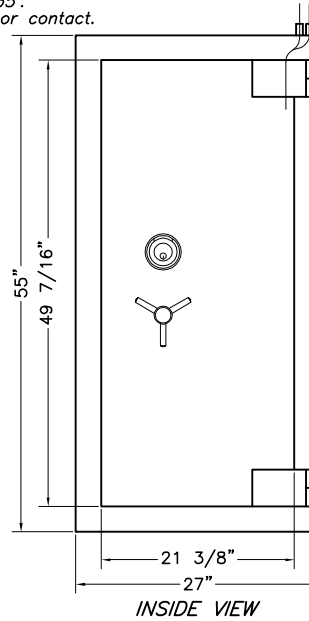
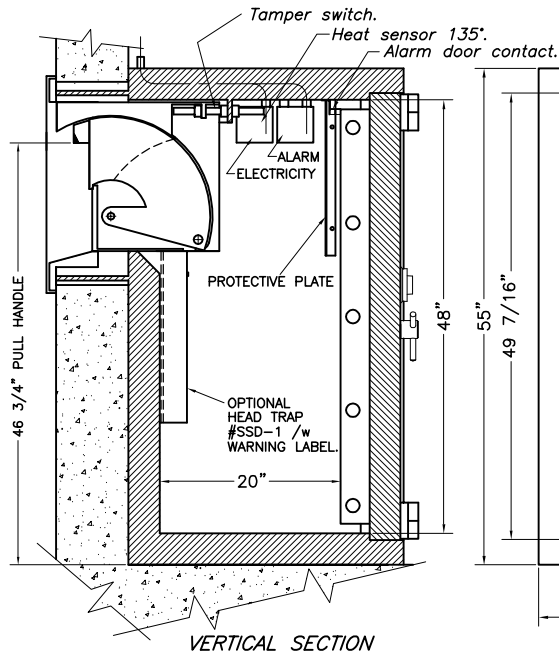
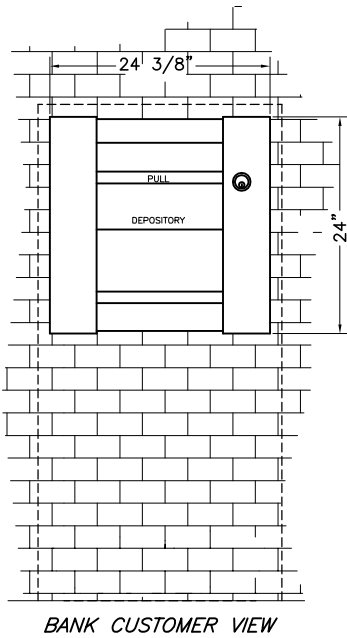
SECURIFORT INC

Regular Walk-Up Depository

△			
1	04 05 10	REDRAWN	RM
NO	DATE	REVISION	BY

DRAWING NO	PC 689	DRAWN BY	RM	DATE	21 12 01
ITEM NO	CN-0482020-L15				

REGULAR WALK-UP DEPOSITORY (TL-30)



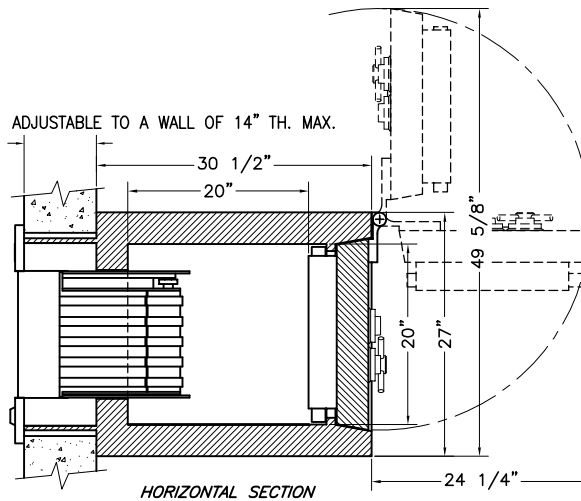
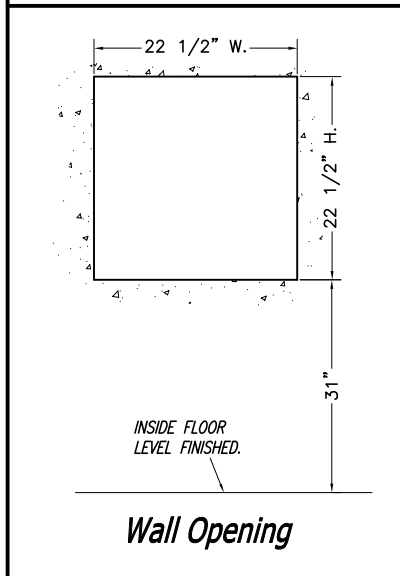
Regular Walk-Up Depository (TL-30)


CHARACTERISTICS


- Unit for bag deposits.
- The large capacity bag deposit compartment is exposed only when the required key has operated the lock in the depository frame.
- Anti-fishing device.
- Exterior fascia with stainless steel finish.
- Outside lighting system.
- Door of receiving chest is equipped with 1-3 wheel combination locks GR 2M #6630 with keylocking dial & 4 keys.
- Contacts for installation of alarm hook-up.
- Heat sensor 135° (see drawing).
- Tamper switch (see drawing).
- Alarm door contact (see drawing).
- 25 head keys standard.
- Maintenance free head mechanism.
- APPROX. WEIGHT= 2600 lbs.

OPTIONS

- 2 movement timelock.
- Head trap #SSD-1.
- Unit for bag & envelope deposits. The unit can be changed in the field to bag only.
- Customer engraving on outside fascia.
- Available in TL-30x6 model.
- Extra head keys.
- Seismic detector.



 Underwriters Laboratories Inc.®
UL LISTED DEPOSITORY HEAD.

 **TOOL-RESISTANT SAFE**
CLASS TL-30 BURGLARY
ALSO SUITABLE FOR USE AS RECEIVING CHEST FOR NIGHT DEPOSITORY
LISTED
SECURIFORT INC.

 **SECURIFORT**
INC

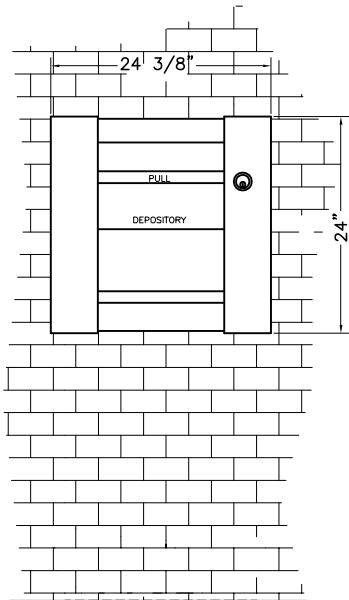
 Underwriters Laboratories Inc.®
Listed

Regular Walk-Up Depository

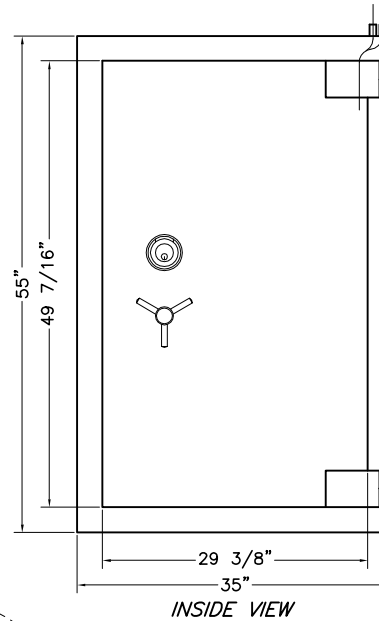
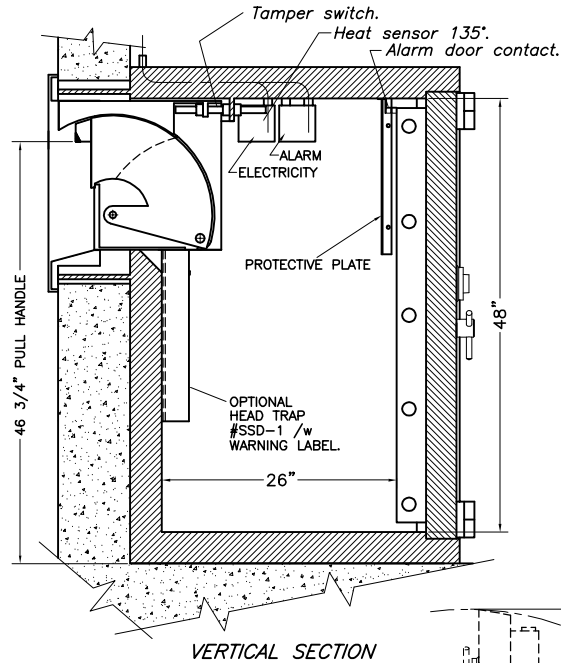
△			
1	14 05 10	REDRAWN	RM
NO	DATE	REVISION	BY

DRAWING NO	PC 659	DRAWN BY	RM	DATE	20 12 01
ITEM NO	CN-0482020-L30				

JUMBO WALK-UP DEPOSITORY (TL-15)



BANK CUSTOMER VIEW



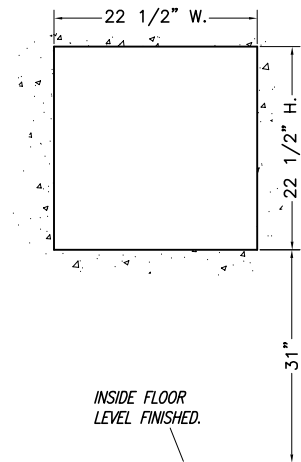
Jumbo Walk-Up Depository (TL-15)

CHARACTERISTICS

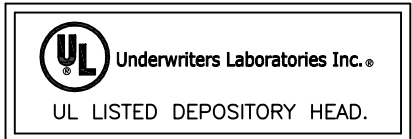
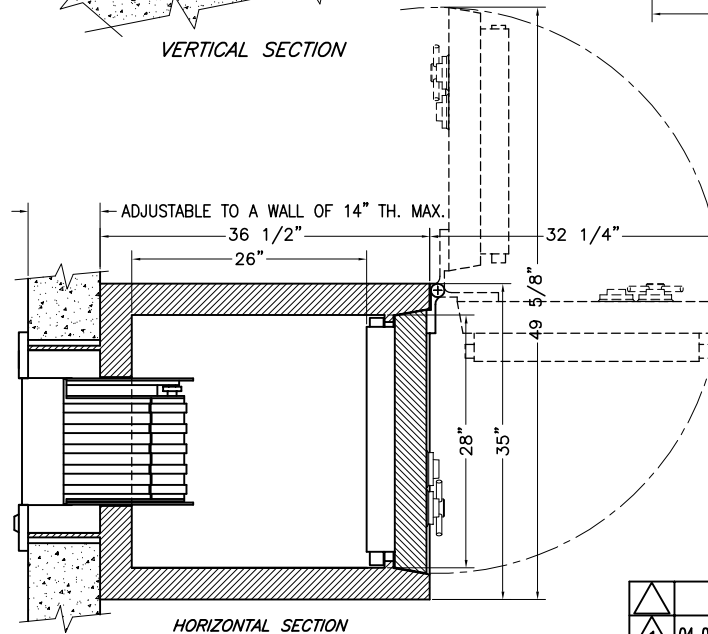
- Unit for bag deposits.
- The large capacity bag deposit compartment is exposed only when the required key has operated the lock in the depository frame.
- Anti-fishing device.
- Exterior fascia with stainless steel finish.
- Outside lighting system.
- Door of receiving chest is equipped with 1-3 wheel combination locks GR 2M #6630 with keylocking dial & 4 keys.
- Contacts for installation of alarm hook-up.
- Heat sensor 135° (see drawing).
- Tamper switch (see drawing).
- Alarm door contact (see drawing).
- 25 head keys standard.
- Maintenance free head mechanism.
- APPROX. WEIGHT= 3450 lbs.

OPTIONS

- 2 movement timelock.
- Head trap #SSD-1.
- Unit for bag & envelope deposits. The unit can be changed in the field to bag only.
- Customer engraving on outside fascia.
- Extra head keys.
- Seismic detector.



Wall Opening

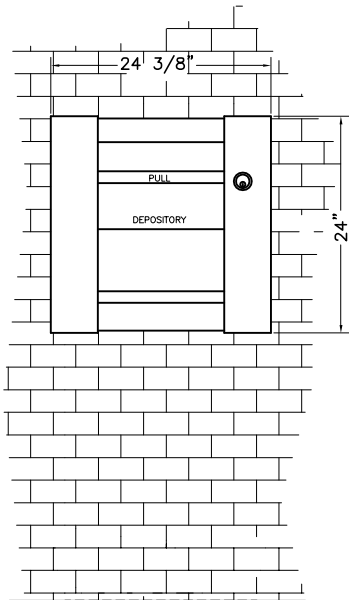


Jumbo Walk-Up Depository

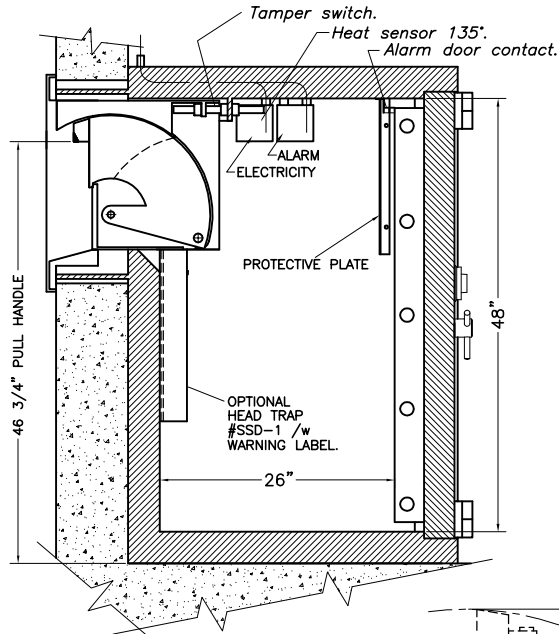
1	04 05 10	REDRAWN	RM
NO	DATE	REVISION	BY

DRAWING NO	PC 690	DRAWN BY	RM	DATE	21 12 01
ITEM NO	CN-0482826-L15				

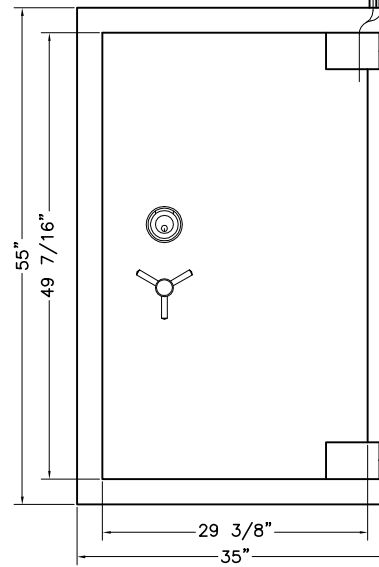
JUMBO WALK-UP DEPOSITORY (TL-30)



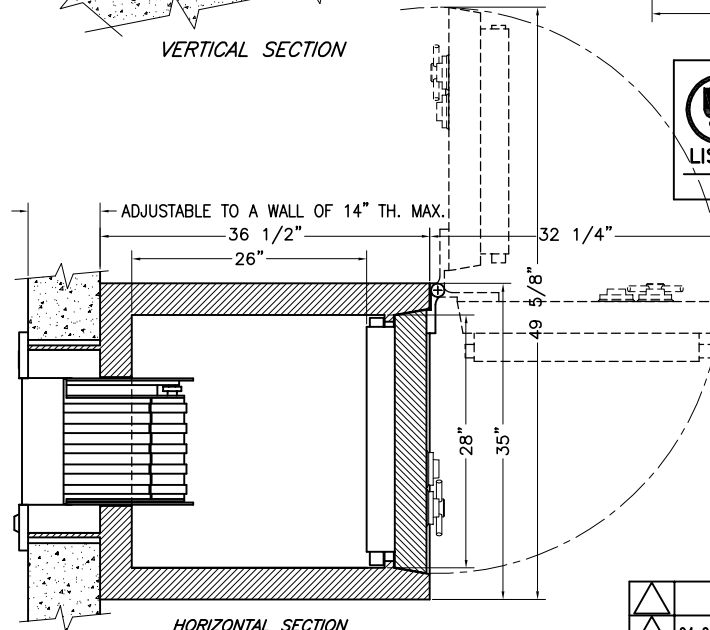
BANK CUSTOMER VIEW



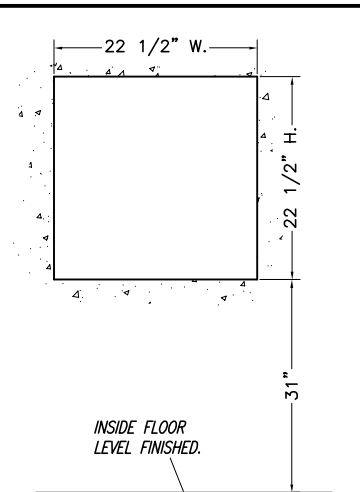
VERTICAL SECTION



INSIDE VIEW



HORIZONTAL SECTION



INSIDE FLOOR LEVEL FINISHED.

Wall Opening

UL LISTED
TOOL-RESISTANT SAFE
 CLASS TL-30 BURGLARY
 ALSO SUITABLE FOR USE AS RECEIVING CHEST FOR NIGHT DEPOSITORY
SECURIFORT INC.

UL Underwriters Laboratories Inc.®
 UL LISTED DEPOSITORY HEAD.

SECURIFORT INC.

UL Underwriters Laboratories Inc.®
 Listed

Jumbo Walk-Up Depository

DRAWING NO	PC 660	DRAWN BY	RM	DATE	20 12 01
ITEM NO	CN-0482826-L30				

NO	DATE	REVISION	BY
1	04 05 10	REDRAWN	RM

Jumbo Walk-Up Depository (TL-30)

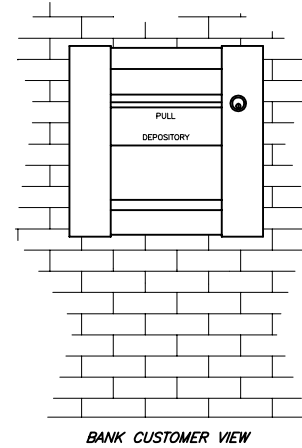
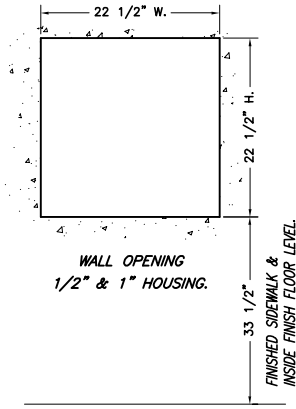
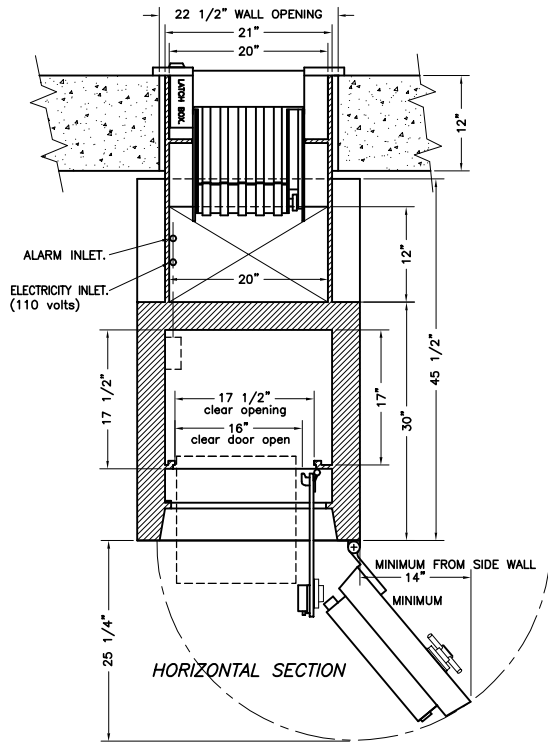
CHARACTERISTICS

- Unit for bag deposits.
- The large capacity bag deposit compartment is exposed only when the required key has operated the lock in the depository frame.
- Anti-fishing device.
- Exterior fascia with stainless steel finish.
- Outside lighting system.
- Door of receiving chest is equipped with 1-3 wheel combination locks GR 2M #6630 with keylocking dial & 4 keys.
- Contacts for installation of alarm hook-up.
- Heat sensor 135° (see drawing).
- Tamper switch (see drawing).
- Alarm door contact (see drawing).
- 25 head keys standard.
- Maintenance free head mechanism.
- APPROX. WEIGHT= 3450 lbs.

OPTIONS

- 2 movement timelock.
- Head trap #SSD-1.
- Unit for bag & envelope deposits. The unit can be changed in the field to bag only.
- Customer engraving on outside fascia.
- Available in TL-30x6 model.
- Extra head keys.
- Seismic detector.

NO	DATE	REVISION	BY
1	14 05 10	REDRAWN	RM

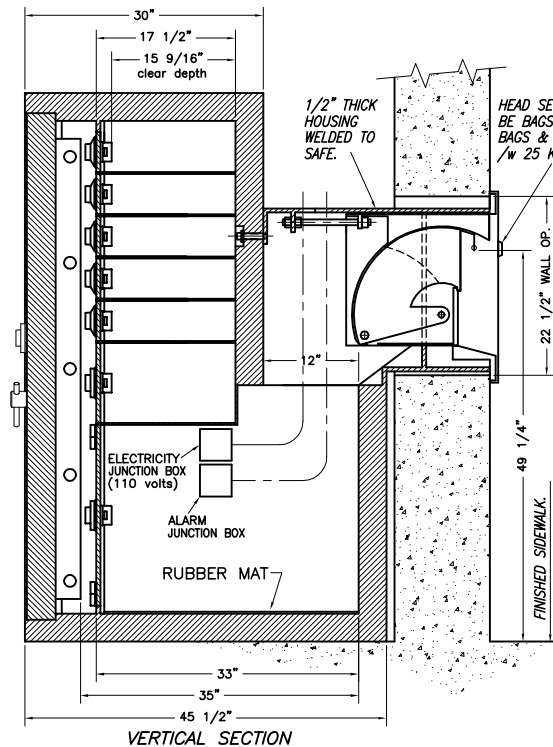
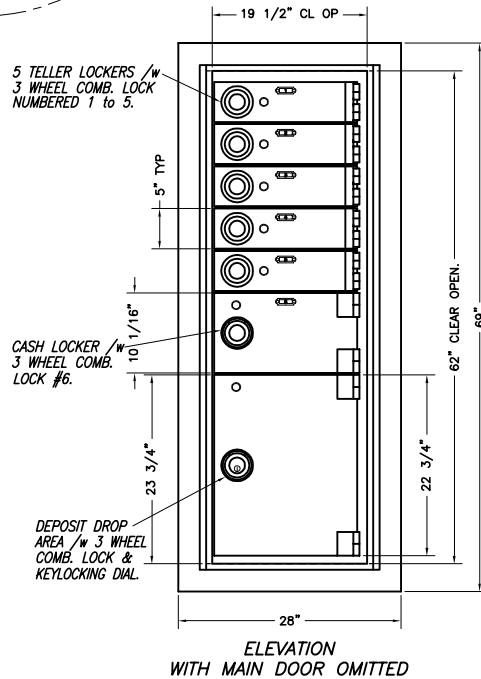
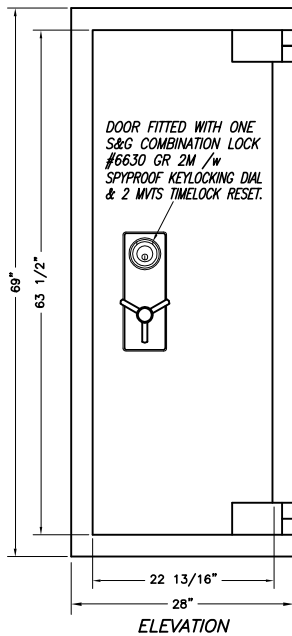
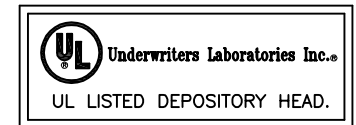


INTERIOR CONSTRUCTION

- DIVIDERS 1/4" TH. STEEL CONSTRUCTION.
- DOORS 1/2" TH. STEEL CONSTRUCTION.
- INTERIOR DOORS PAINTED FINISH.

NOTE: 1" HOUSING OPTIONAL.

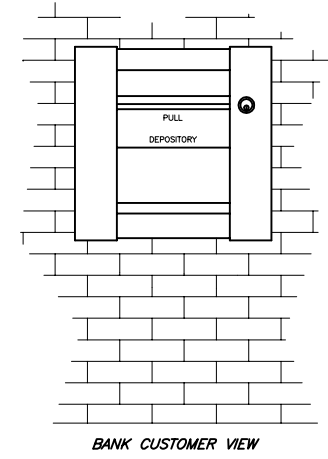
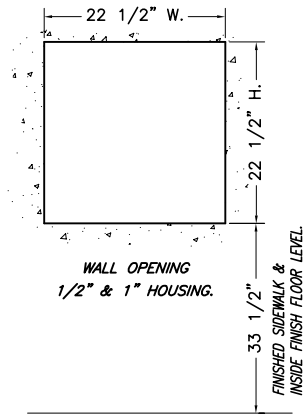
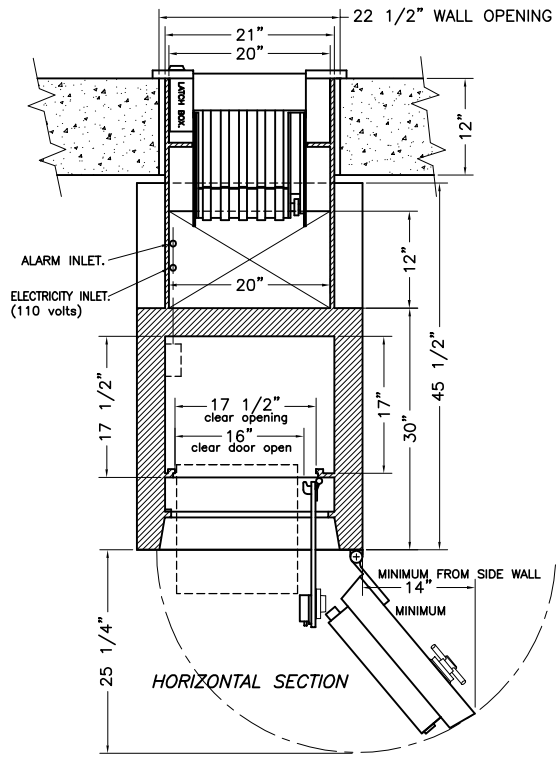
WEIGHT= 3950 lbs. COMPLETE UNIT.



**TOOL-RESISTANT TL-15
DUAL USE BANK SAFE
SLIM LINE**

DRAWING NO	PC 712	DRAWN BY	RM	DATE	20 03 02
ITEM NO	CN-0622135A-L15				

NO	DATE	REVISION	BY
1	14 05 10	REDRAWN	RM

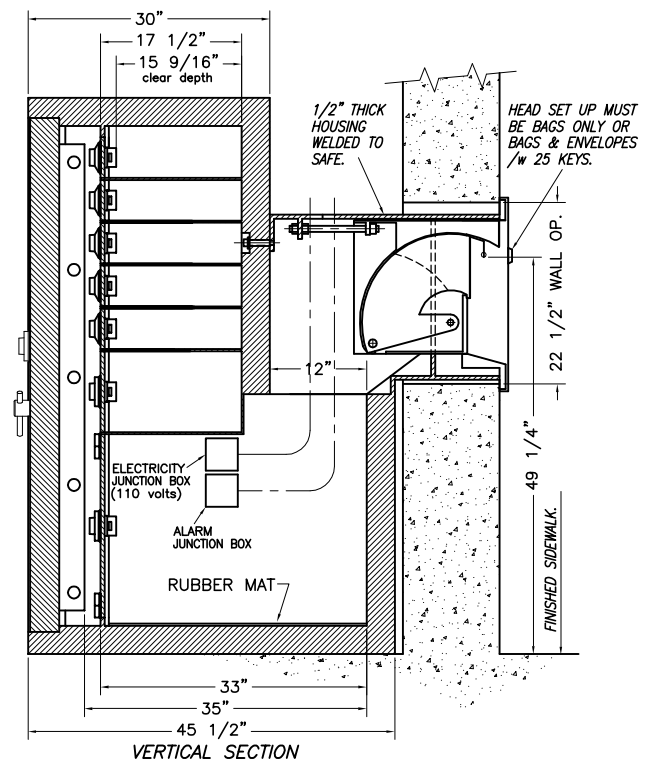
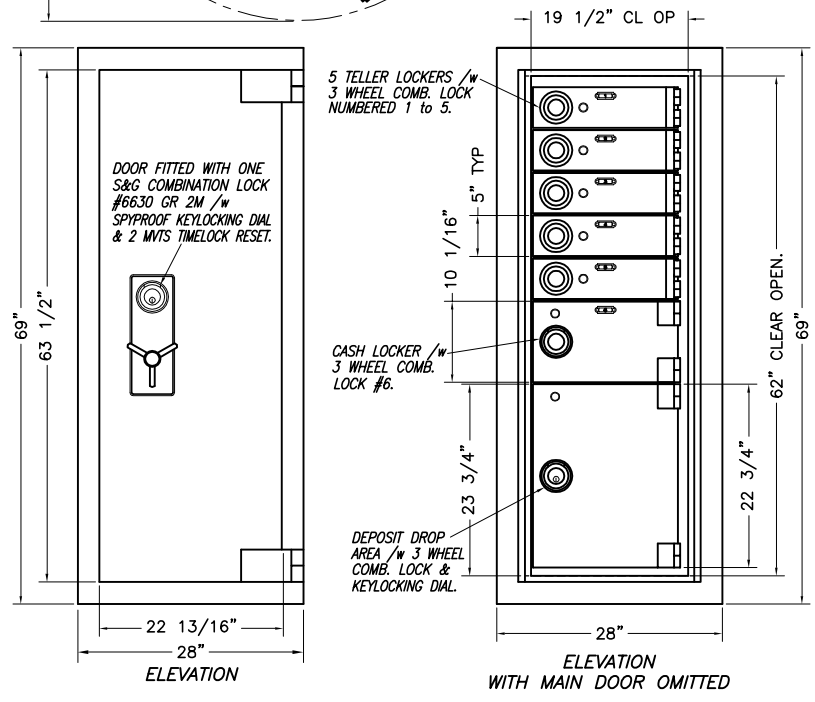
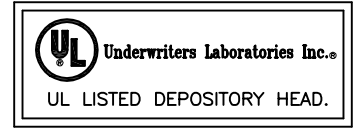


INTERIOR CONSTRUCTION

- DIVIDERS 1/4" TH. STEEL CONSTRUCTION.
- DOORS 1/2" TH. STEEL CONSTRUCTION.
- INTERIOR DOORS PAINTED FINISH.

NOTE: 1" HOUSING OPTIONAL.

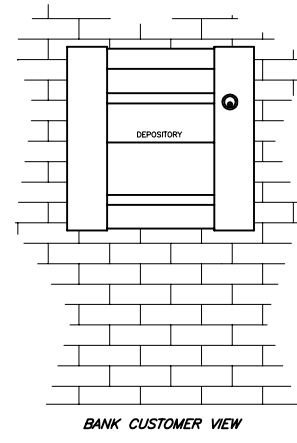
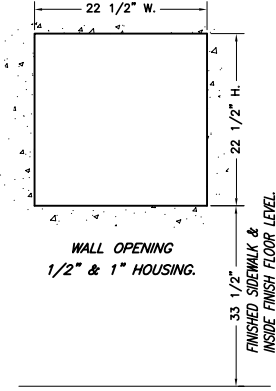
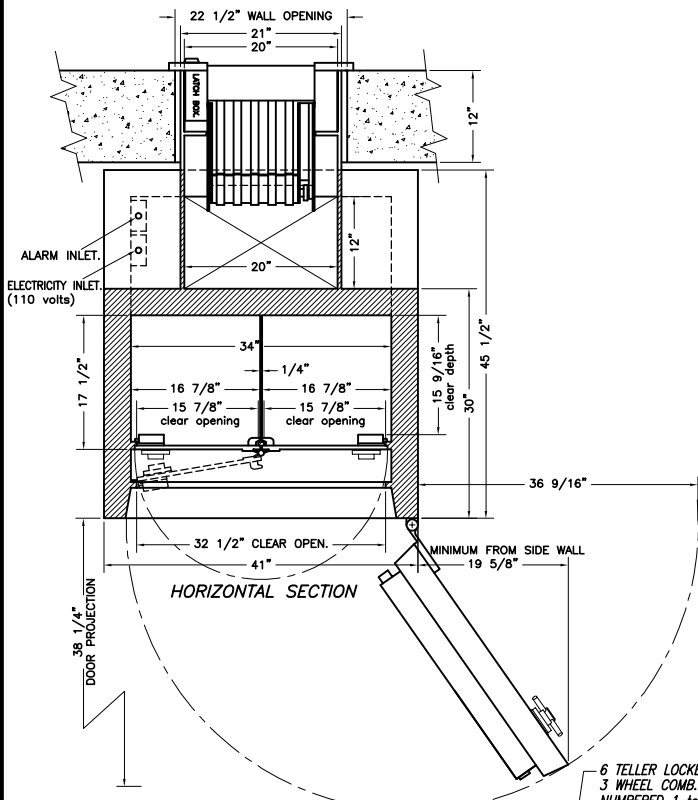
WEIGHT= 3950 lbs. COMPLETE UNIT.



**TOOL-RESISTANT TL-30
DUAL USE BANK SAFE
SLIM LINE**

DRAWING NO	PC 721	DRAWN BY	RM	DATE	27 03 02
ITEM NO	CN-0622135A-L30				

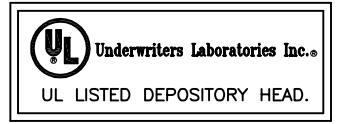
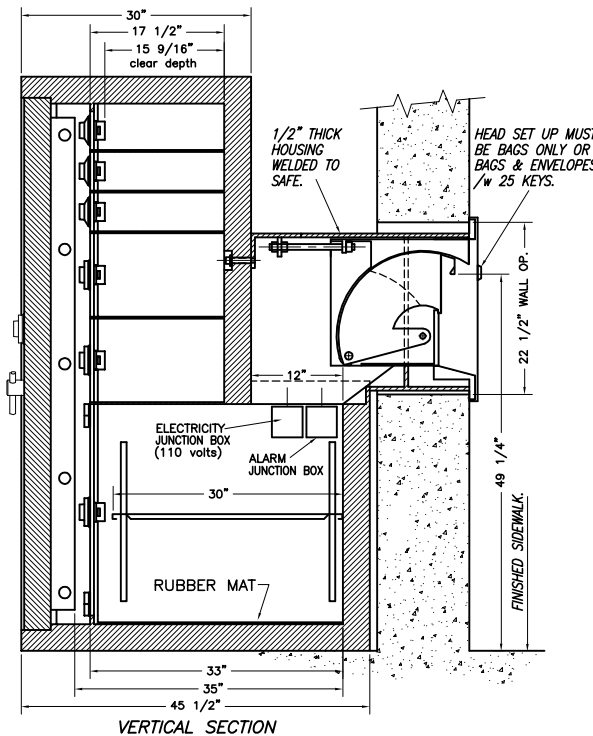
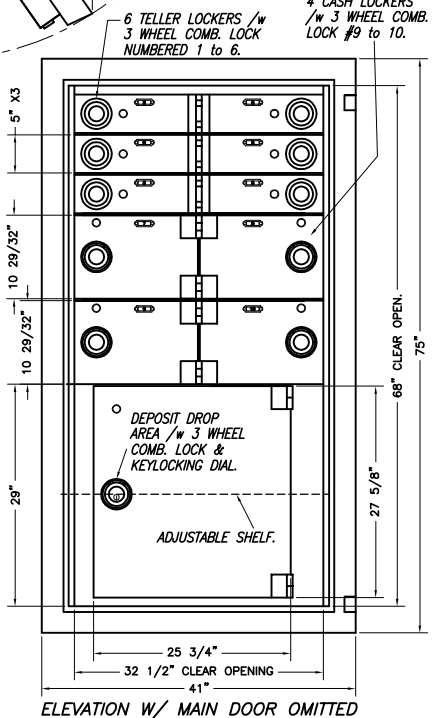
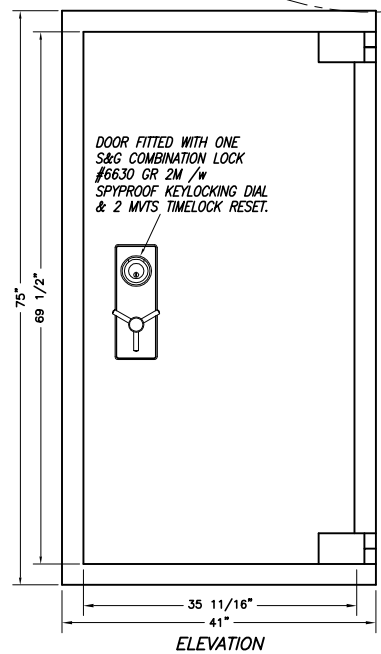
NO	DATE	REVISION	BY
1	14 05 10	REDRAWN	RM



INTERIOR CONSTRUCTION
 -DIVIDERS 1/4" TH. STEEL CONSTRUCTION.
 -DOORS 1/2" TH. STEEL CONSTRUCTION.
 -INTERIOR DOORS PAINTED FINISH.

NOTE: 1" HOUSING OPTIONAL.

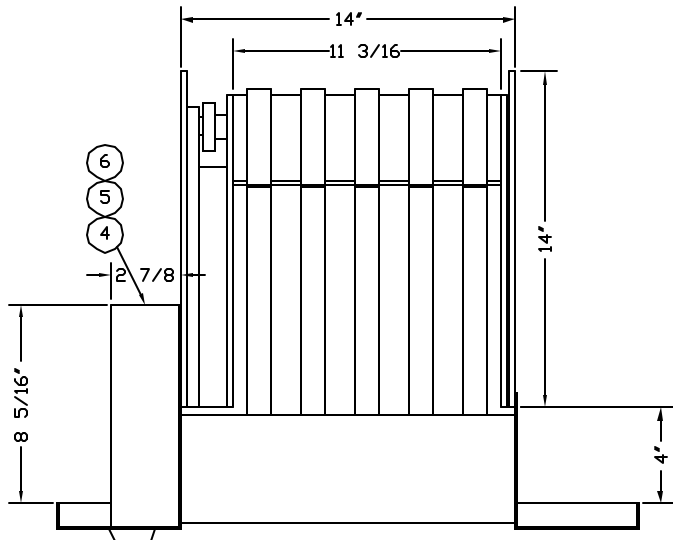
WEIGHT= 5550 lbs. COMPLETE UNIT.



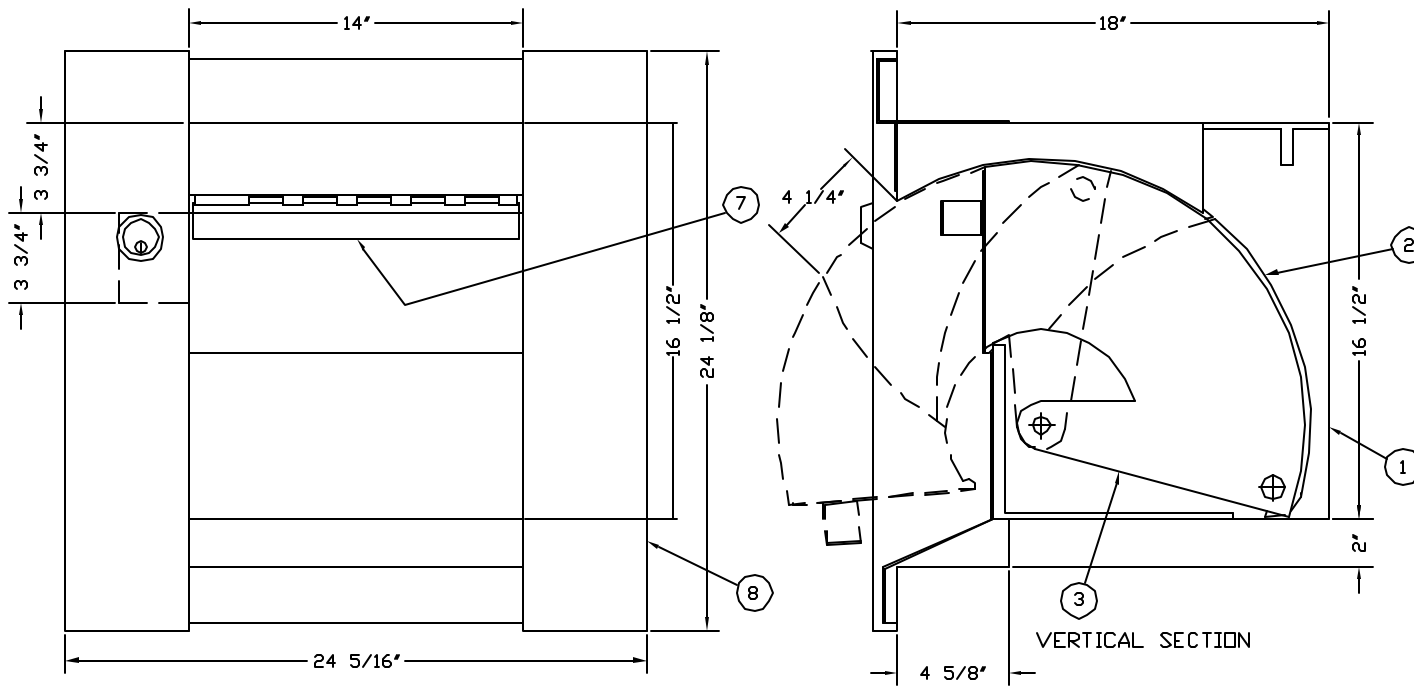
**TOOL-RESISTANT TL-30
 DUAL USE BANK SAFE**

DRAWING NO	PC 720	DRAWN BY	RM	DATE	27 03 02
ITEM NO	CN-0683435A-L30				

NO	DATE	REVISION	PAR
△	24-11-00	REDRAWN	CV
△	X	X	X
△	X	X	X
△	X	X	X




HORIZONTAL SECTION

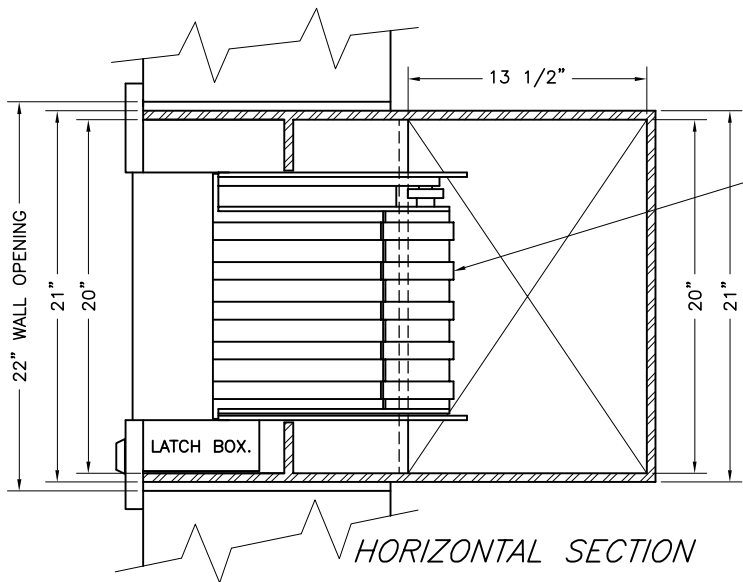


ELEVATION

VERTICAL SECTION

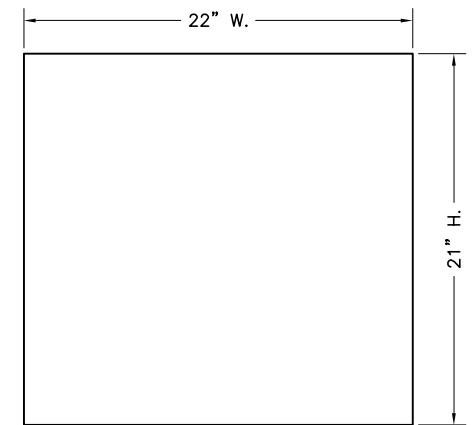
8	OUTSIDE FACIA PB451-28
7	HANDLE & PLATE PB451-4
6	LATCH BOX PU-1679
5	CYLINDER SUPPORT PU-2134
4	LATCH PU-1322
3	UNDER DRAWER BACK PLATE PB451-22
2	DRAWER ASS'Y PB451-20
1	CHUTE BOX PB451-16
ITEM	DESCRIPTION & DRAWING NO


	TITLE		HEAD ASS'Y
	APPLICATION		
DATE	DRAWN BY	APP ED BY	SCALE
18 12 96	CV		1/4"=1'
PART NO		DRAWING NO	
		PB-451	

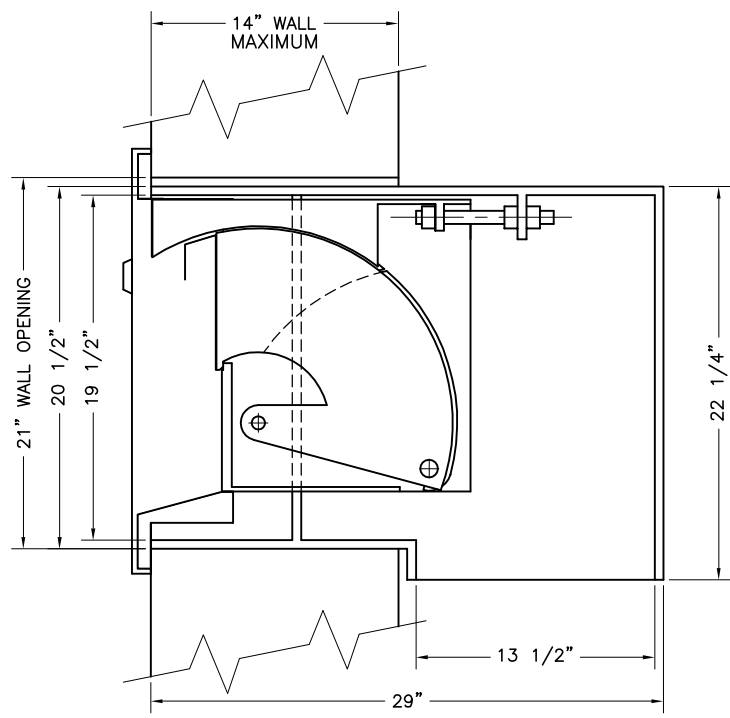


HORIZONTAL SECTION

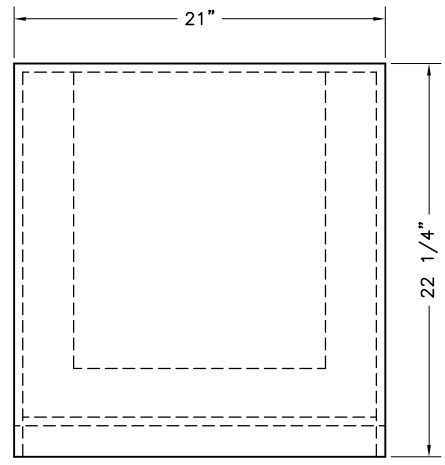
OPTIONAL  LISTED DEPOSITORY HEAD MODEL #PB-451.



 WALL OPENING

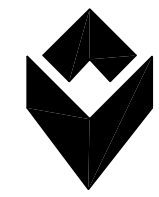


VERTICAL SECTION




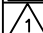
INSIDE VIEW

WEIGHT= 440 lbs. HOUSING ONLY.

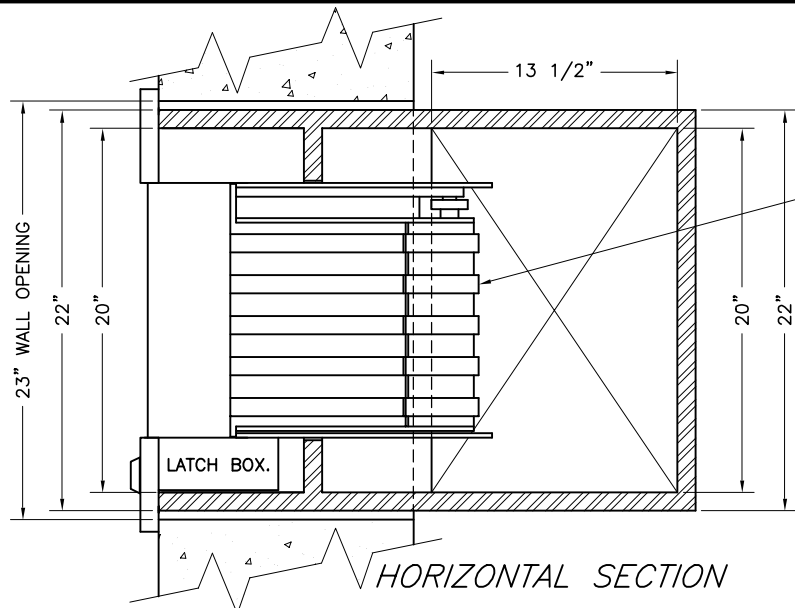


SECURIFORT
INC

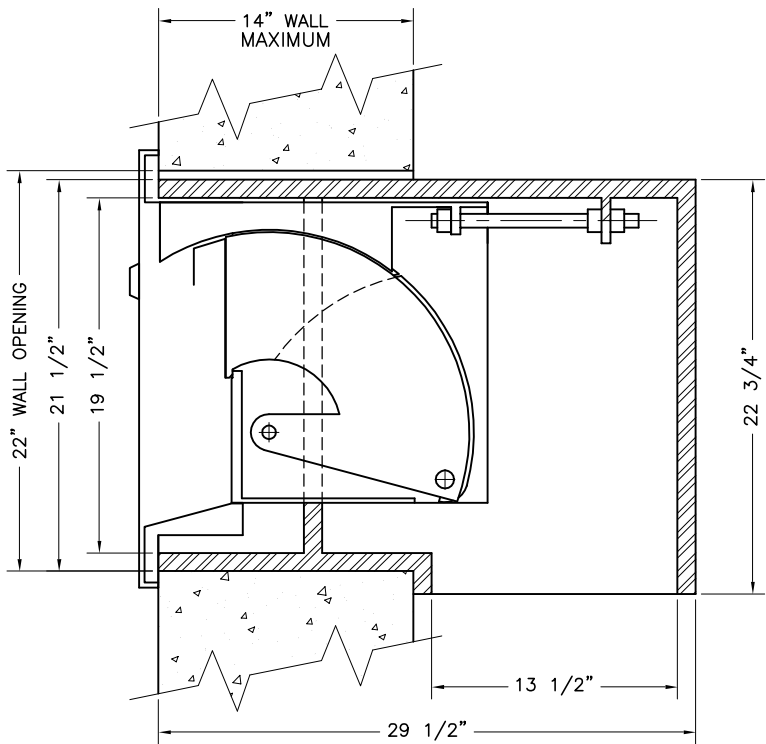
Depository HEAD HOUSING
1/2" steel construction

			
	27 09 01	WALL OPENING ADDED	RM
NO	DATE	REVISION	BY


DATE			DRAWN BY	DRAWING NO
24	09	01	RM	PB 632

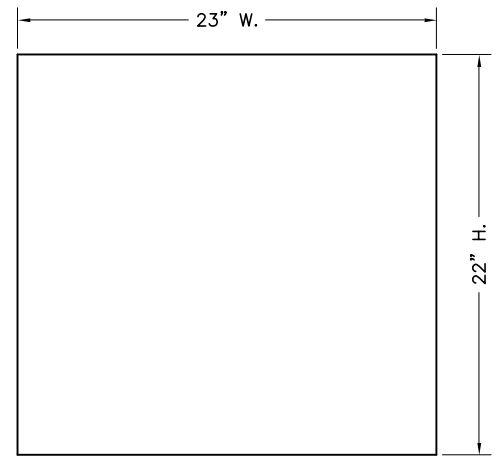



HORIZONTAL SECTION



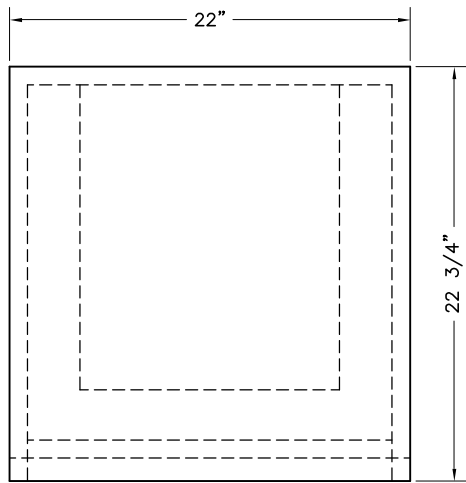
VERTICAL SECTION

OPTIONAL  LISTED DEPOSITORY HEAD MODEL #PB-451.



 WALL OPENING


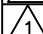
WEIGHT= 640 lbs. HOUSING ONLY.



INSIDE VIEW

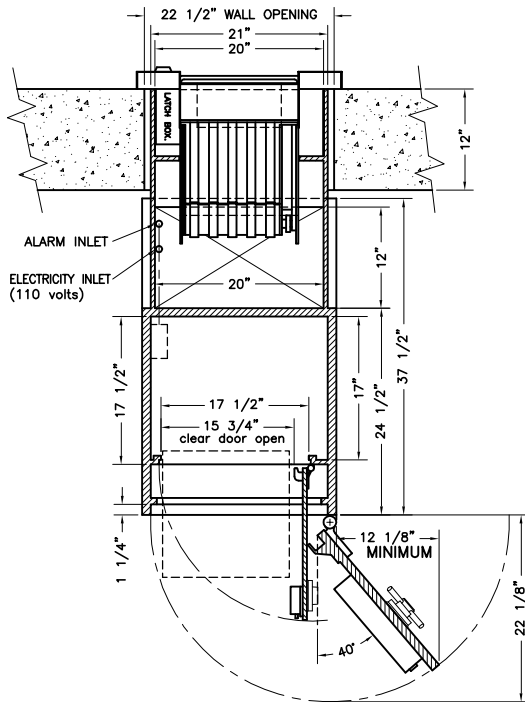


Depository HEAD HOUSING
1" steel construction

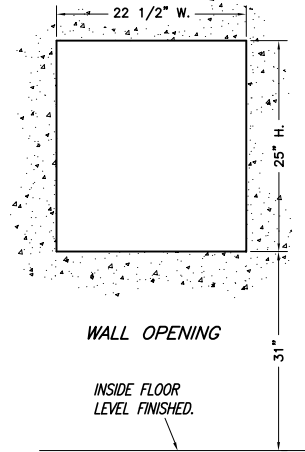
			
	27 09 01	WALL OPENING ADDED	RM
NO	DATE	REVISION	BY

DATE			DRAWN BY		DRAWING NO	
25	09	01	RM	PB 633		

1	10 05 10	REDRAWN	RM
NO	DATE	REVISION	BY

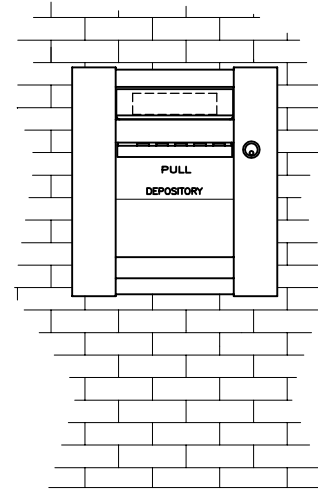


HORIZONTAL SECTION



WALL OPENING

INSIDE FLOOR
LEVEL FINISHED.



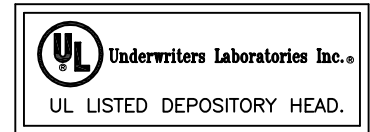
BANK CUSTOMER VIEW
SHOWN WITH FORMCO HEAD

INTERIOR CONSTRUCTION

- DIVIDERS 1/4" TH. STEEL CONSTRUCTION.
- DOORS 1/2" TH. STEEL CONSTRUCTION.
- INTERIOR DOORS PAINTED FINISH.

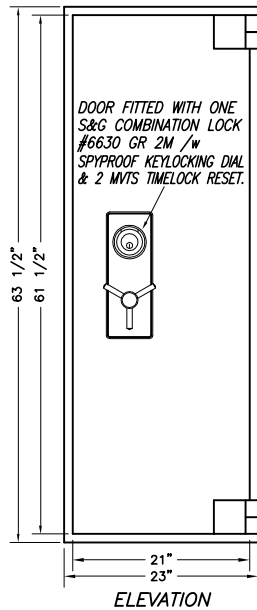
NOTE: 1" HOUSING OPTIONAL.

WEIGHT= 3040 lbs. COMPLETE UNIT.

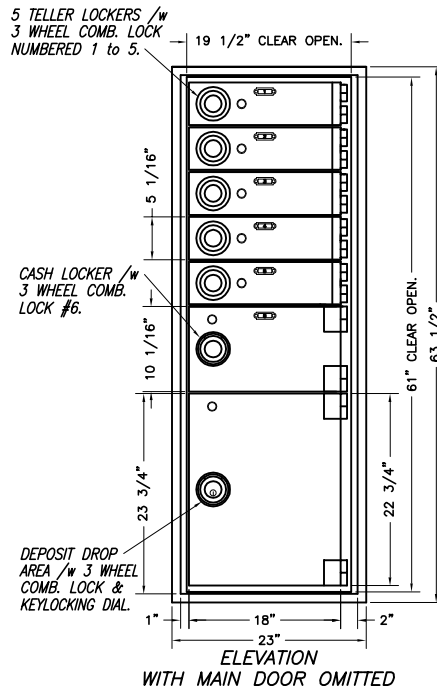


**TOOL-RESISTANT TL-15
DUAL USE BANK SAFE
SLIM LINE w/ FORMCO**

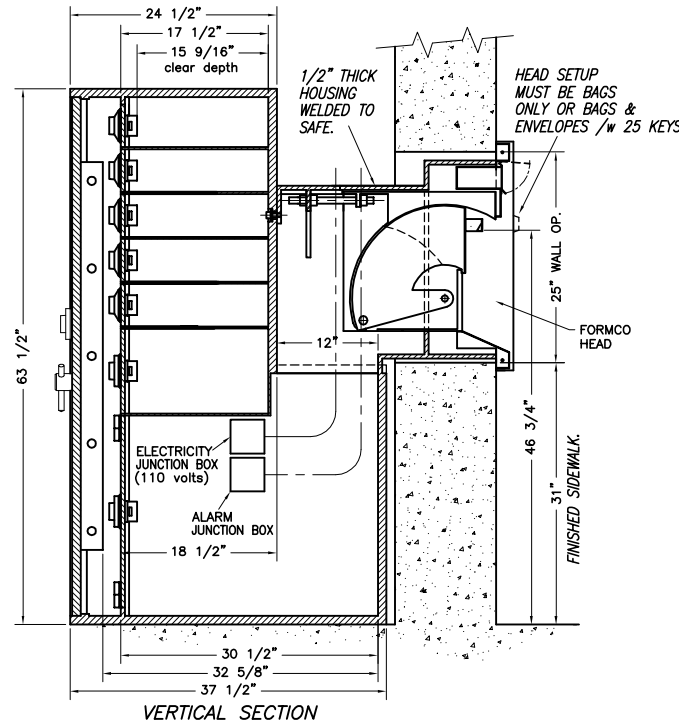
DRAWING NO	PC 657	DRAWN BY	RM	DATE	03 03 09
ITEM NO	PN-J622133A-L15				



ELEVATION

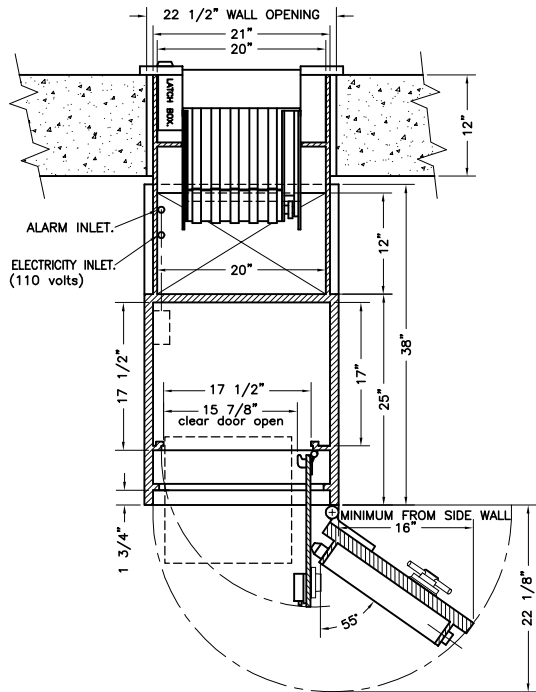


ELEVATION
WITH MAIN DOOR OMITTED

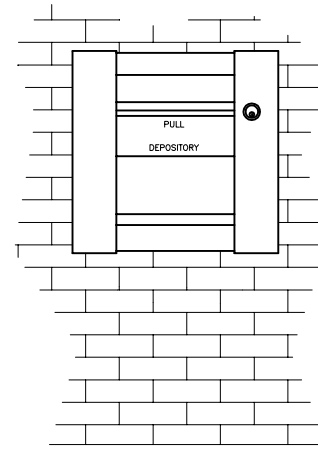
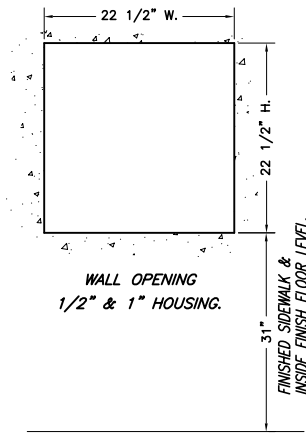


VERTICAL SECTION

NO	DATE	REVISION	BY
1	07 05 10	REDRAWN	RM



HORIZONTAL SECTION

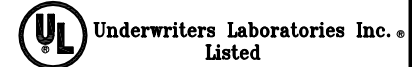
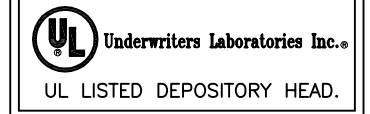
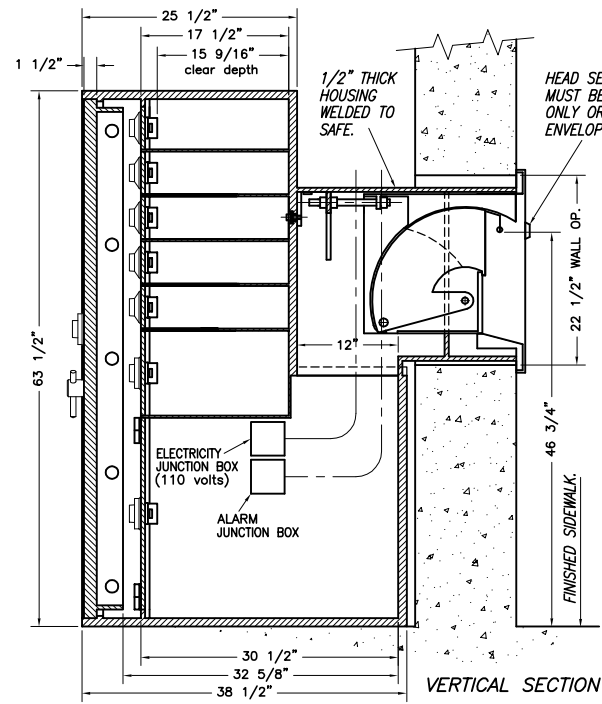
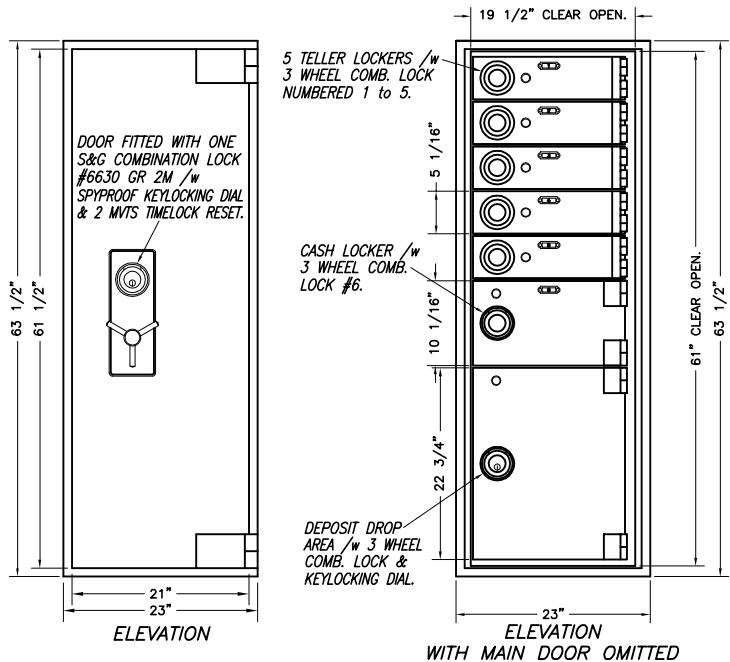


INTERIOR CONSTRUCTION

- DIVIDERS 1/4" TH. STEEL CONSTRUCTION.
- DOORS 1/2" TH. STEEL CONSTRUCTION.
- INTERIOR DOORS PAINTED FINISH.

NOTE: 1" HOUSING OPTIONAL.

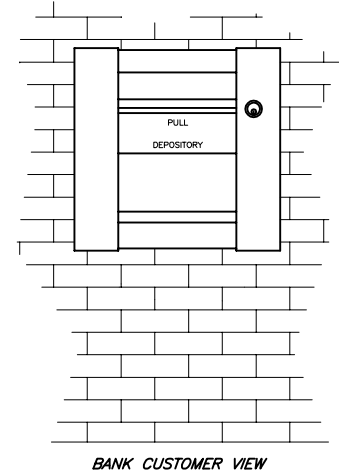
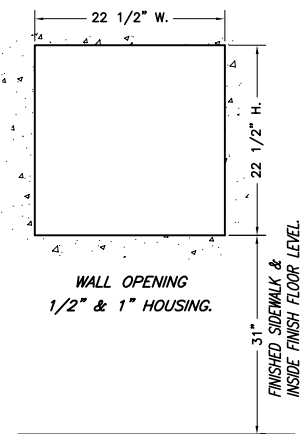
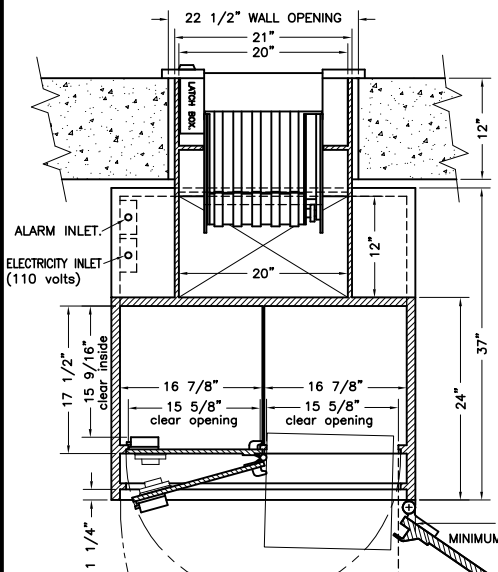
WEIGHT= 3250 lbs. COMPLETE UNIT.



**TOOL-RESISTANT TL-30
DUAL USE BANK SAFE
SLIM LINE**

DRAWING NO	DATE	DRAWN BY	DATE
PC 654	RM	06 11 01	
REF NO	PN-J622133A-L30		

NO	DATE	REVISION	BY
1	05 05 10	REDRAWN	RM

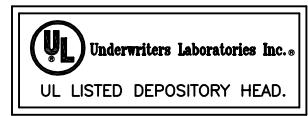
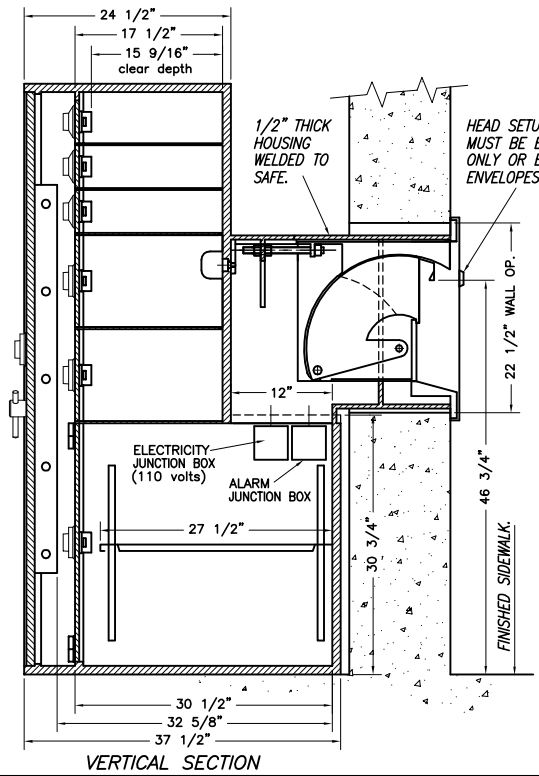
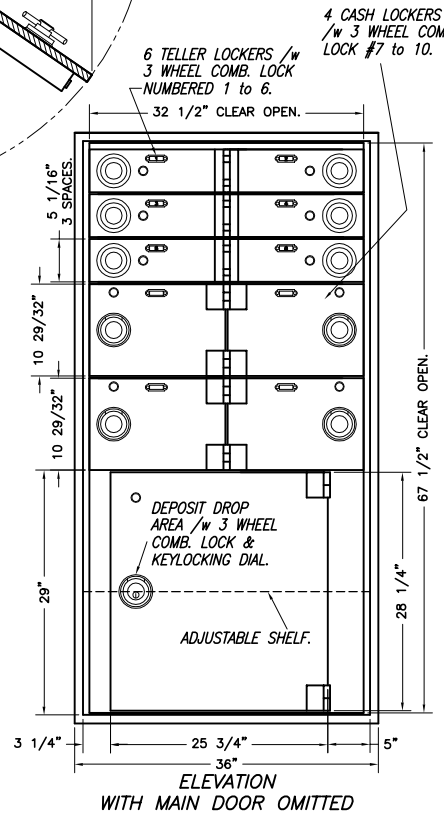
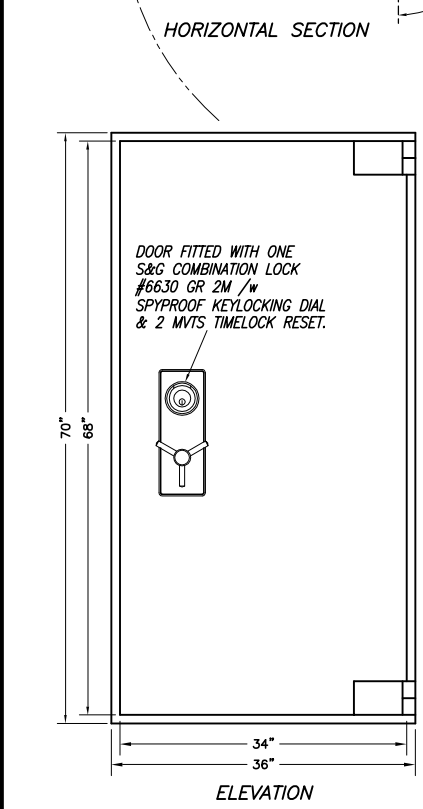


INTERIOR CONSTRUCTION

- DIVIDERS 1/4" TH. STEEL CONSTRUCTION,
- DOORS 1/2" TH. STEEL CONSTRUCTION.
- INTERIOR DOORS PAINTED FINISH.

NOTE: 1" HOUSING OPTIONAL.

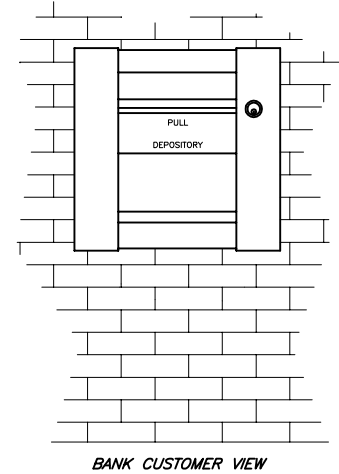
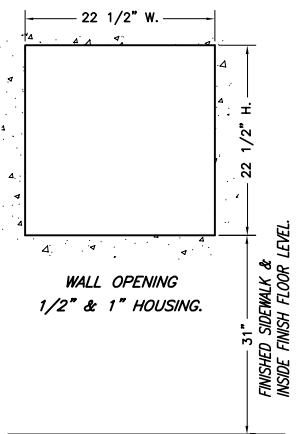
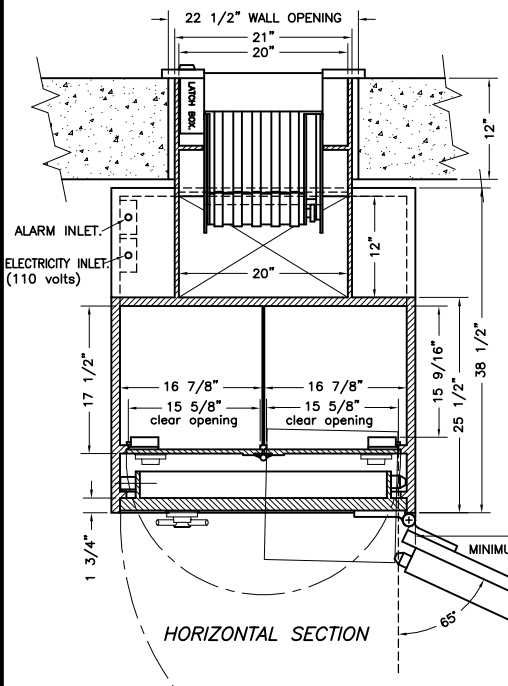
WEIGHT= 4275 lbs. COMPLETE UNIT.



**TOOL-RESISTANT TL-15
DUAL USE BANK SAFE**

DRAWING NO	PC 656	DRAWN BY	RM	DATE	13 11 07
REF NO	PN-J683433A-L15				

NO	DATE	REVISION	BY
1	05 05 10	REDRAW	RM

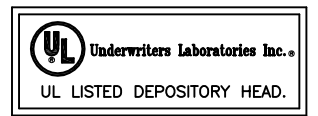
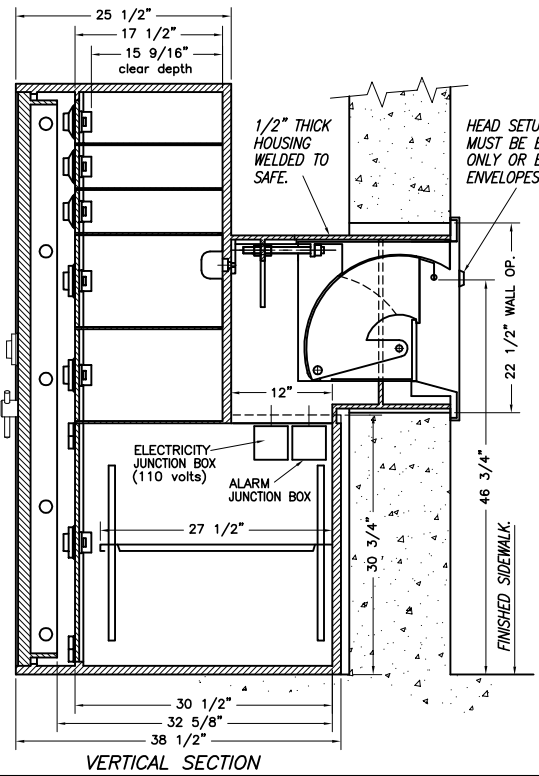
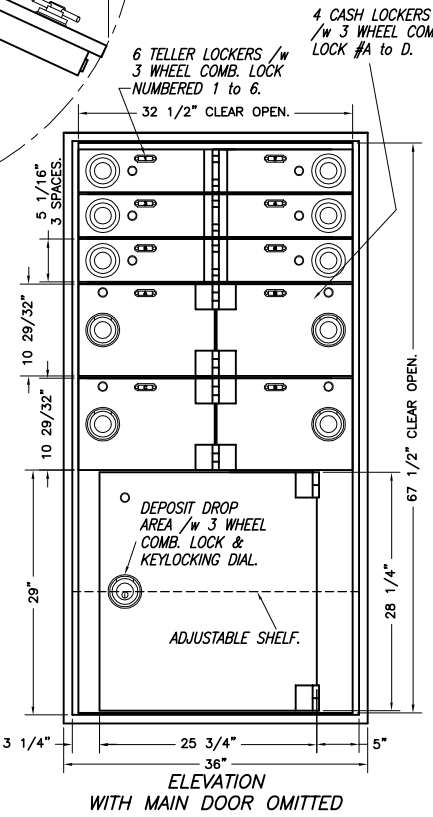
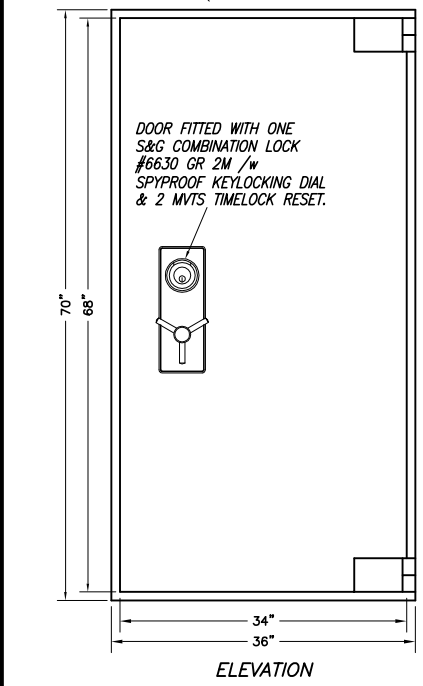


INTERIOR CONSTRUCTION

- DIVIDERS 1/4" TH. STEEL CONSTRUCTION.
- DOORS 1/2" TH. STEEL CONSTRUCTION.
- INTERIOR DOORS PAINTED FINISH.

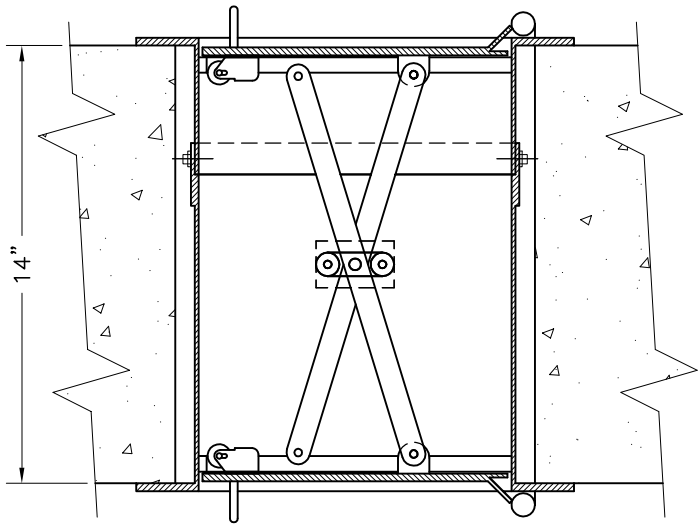
NOTE: 1" HOUSING OPTIONAL.

WEIGHT= 4650 lbs. COMPLETE UNIT.

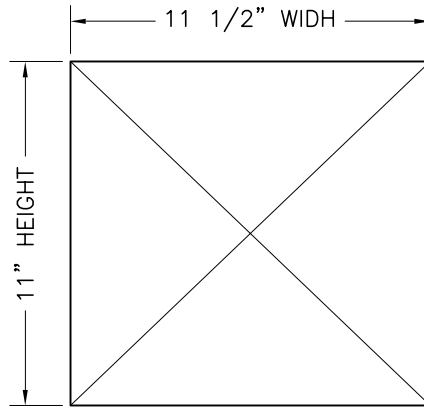


**TOOL-RESISTANT TL-30
DUAL USE BANK SAFE**

DRAWING NO	PC 652	DRAWN BY	RM	DATE	29 10 01
REF NO	PN-J683433A-L30				



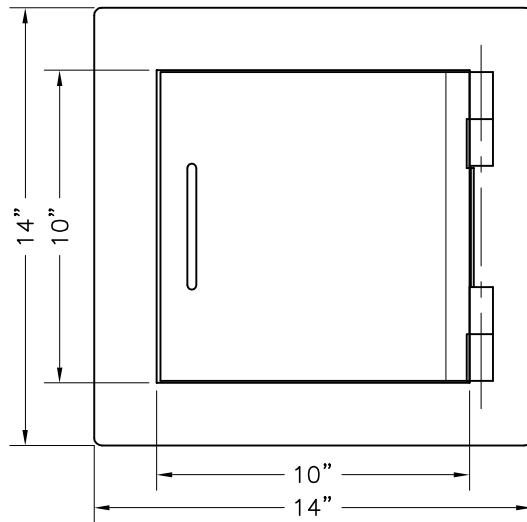
HORIZONTAL SECTION



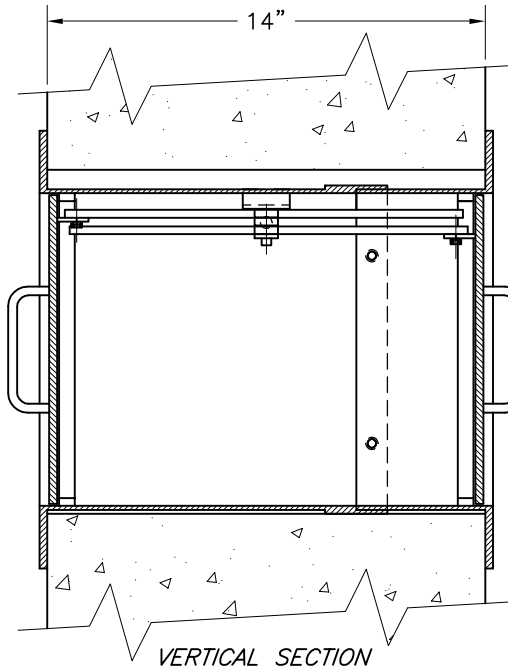
WALL OPENING

SPECIFICATIONS

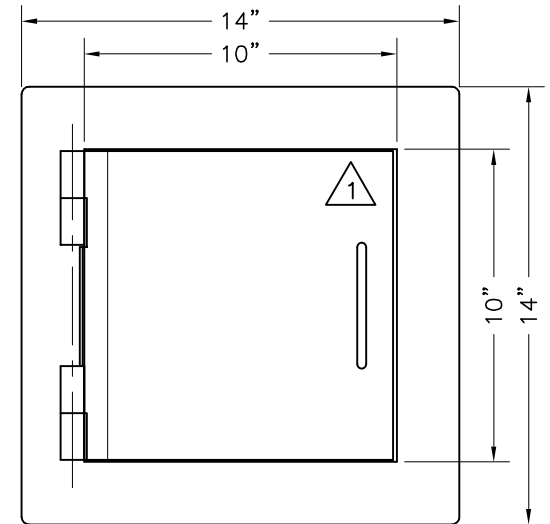
- Frames & doors built in 1/4" th. steel.
- Interlocking door system.
- Maximum wall thickness 14".
- Paint finish outside & inside.
- Weight = 50 lbs.



OUTSIDE VIEW



VERTICAL SECTION



INSIDE VIEW

△			
△			
1	10 11 10	REMOVE CAMLOCK ON INSIDE DOOR.	RM
NO	DATE	REVISION	BY

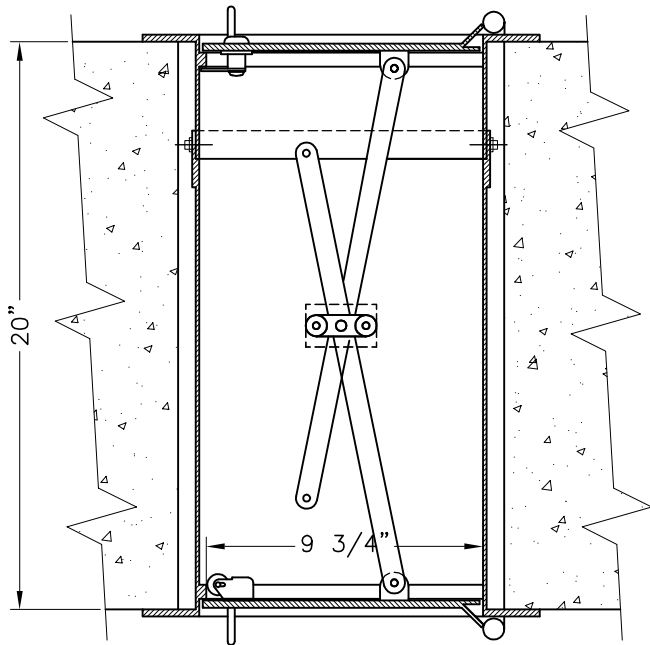


**SECURIFORT
INC**

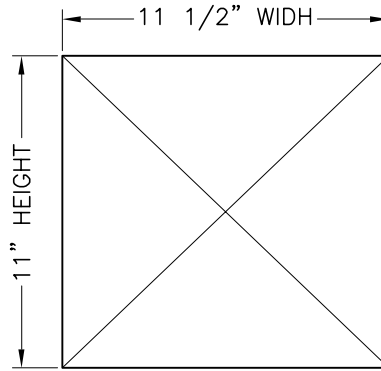
TITLE
PACKAGE RECEIVER

REF NO	DRAWN BY	DATE
PC 1014	JM	31 01 07

DRAWING NO
AC-PKR-101013-14-01



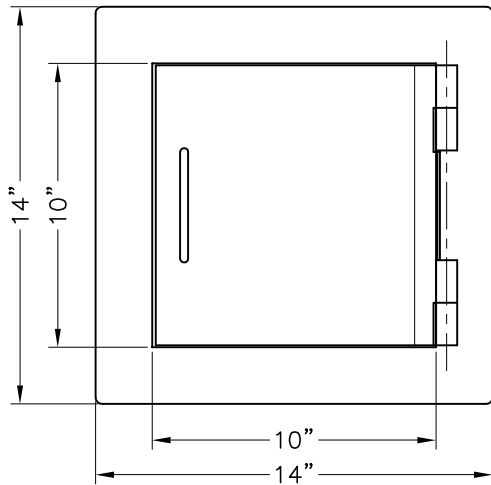
HORIZONTAL SECTION



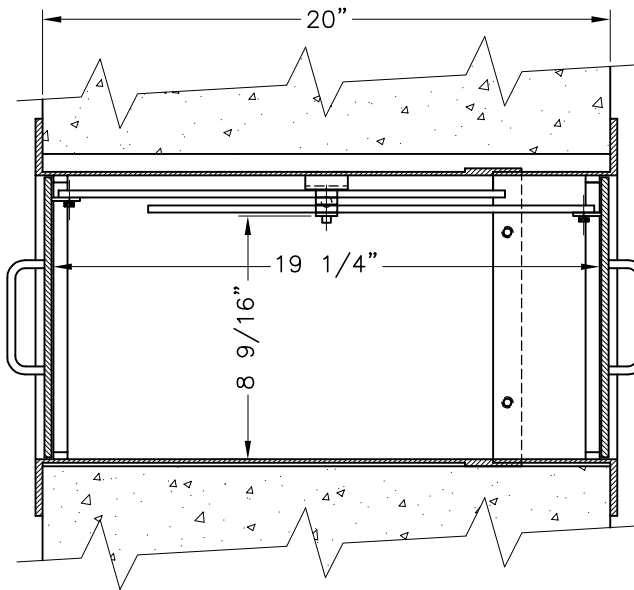
WALL OPENING

SPECIFICATIONS

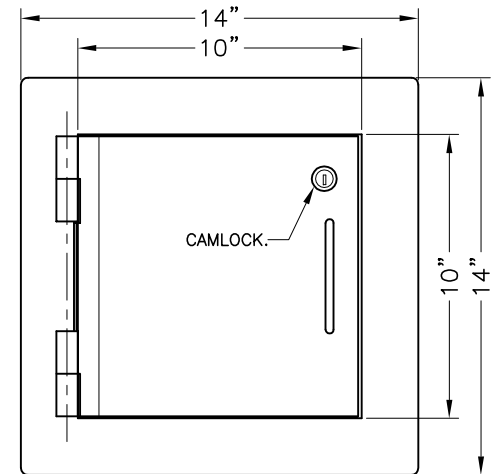
- Frames & doors built in 1/4" th. steel.
- Interlocking door system.
- Maximum wall thickness 20".
- Paint finish outside & inside.
- Inside door equipped with a camlock.
- Weight = 70 lbs.



OUTSIDE VIEW



VERTICAL SECTION



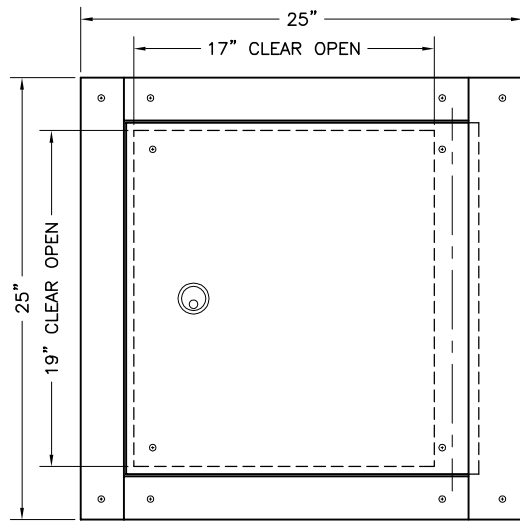
INSIDE VIEW

PACKAGE RECEIVER

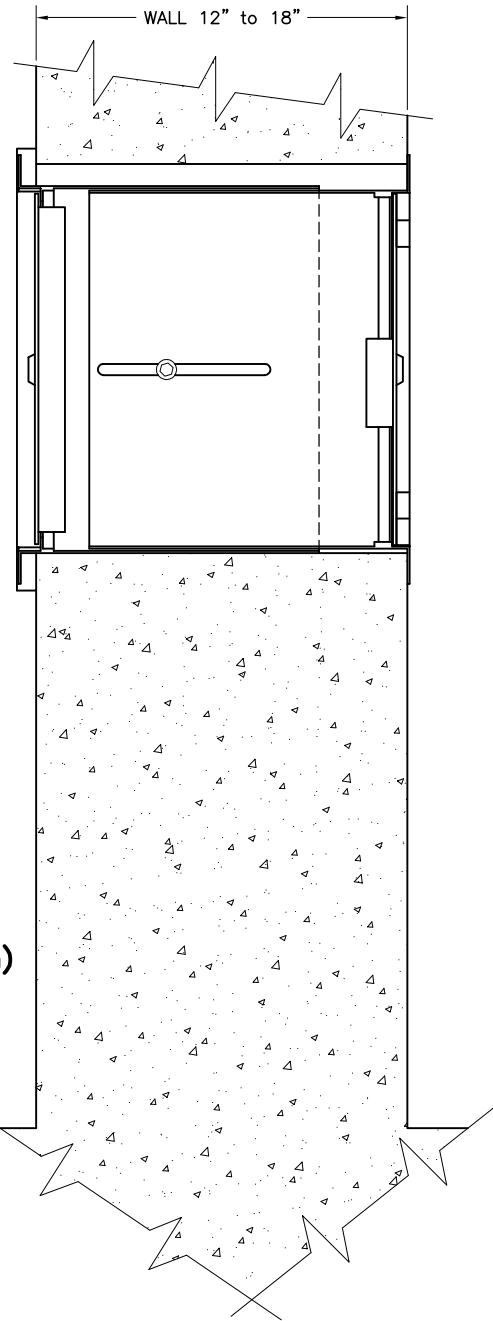
DRAWING NO	DATE			
PC 1014 SP	28	08	08	RM
ITEM NO	AC-PKR-101019-20-01			



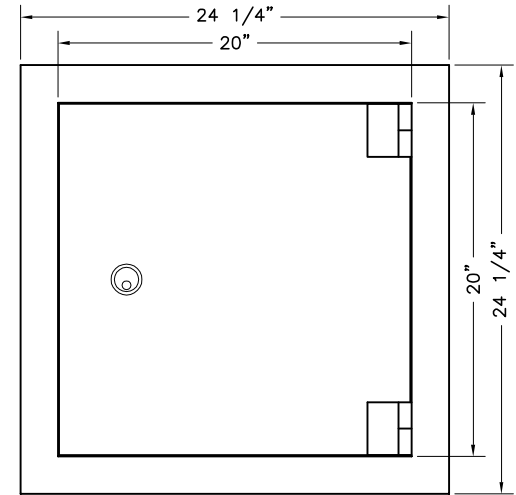
SECURIFORT
INC



**OUTSIDE VIEW
STAINLESS STEEL FASCIA
(OUTSIDE DOOR HUNG RIGHT)**



VERTICAL SECTION



**INSIDE VIEW
PAINT FINISH
(INSIDE DOOR HUNG RIGHT)**

SPECIFICATIONS

- WALL OPENING REQUIRED= -HEIGHT 22" (55,9 cm)
-WIDTH 22" (55,9 cm)
- DOORS FITTED WITH #370 DL KEY LOCK.
- APPROX. WEIGHT= 140 lbs. (64 kg).

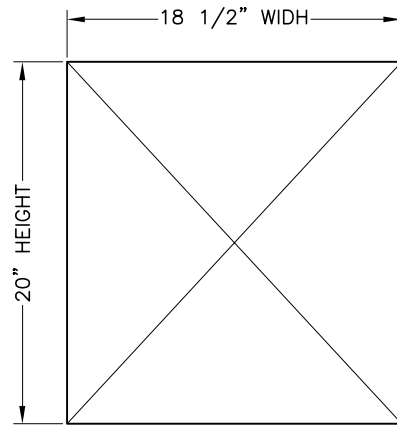
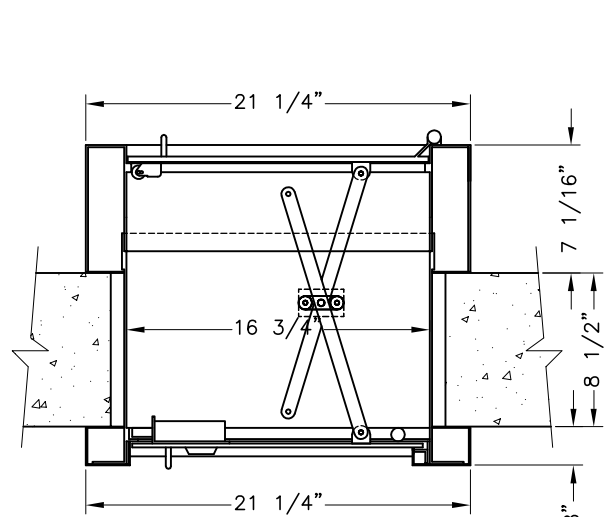


**SECURIFORT
INC**

**CLEARING SAFE
Model #PC-023**

NO	DATE	REVISION	BY
1	23 11 05	INSIDE DOOR WAS LEHT HAND SWING.	RM

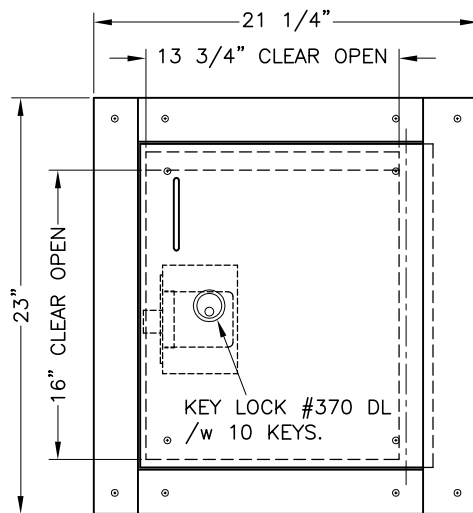
DATE			DRAWN BY	DRAWING NO
06	04	01	RM	PC-023
ITEM NO				
AC-PKRA-191708-16-01				



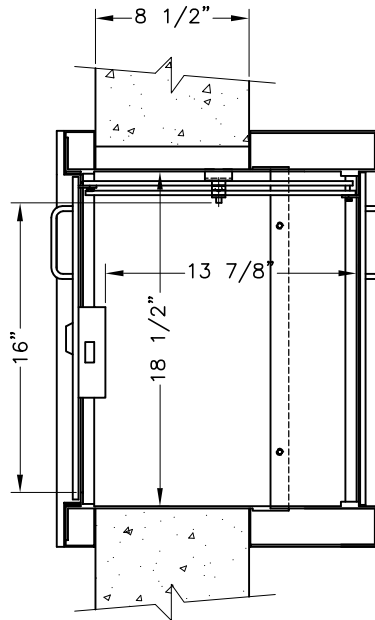
WALL OPENING

SPECIFICATIONS

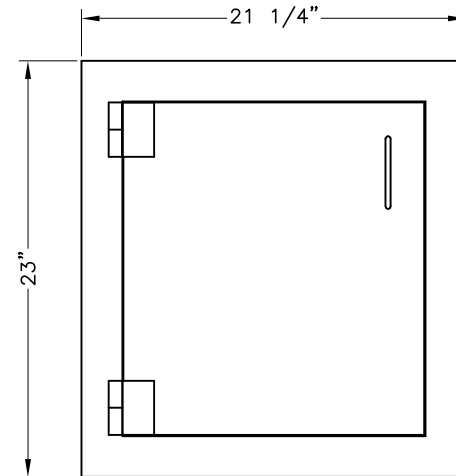
- Doors built in 1/4" th. steel.
- Body built in 1/8" th. steel.
- Interlocking door system.
- Maximum wall thickness 8 1/2".
- Paint finish inside.
- Stainless steel finish outside.
- Outside door equipped with a key lock #370 DL.
- Weight = 130 lbs.



OUTSIDE VIEW
S/S FASCIA



VERTICAL SECTION



INSIDE VIEW
PAINT FINISH

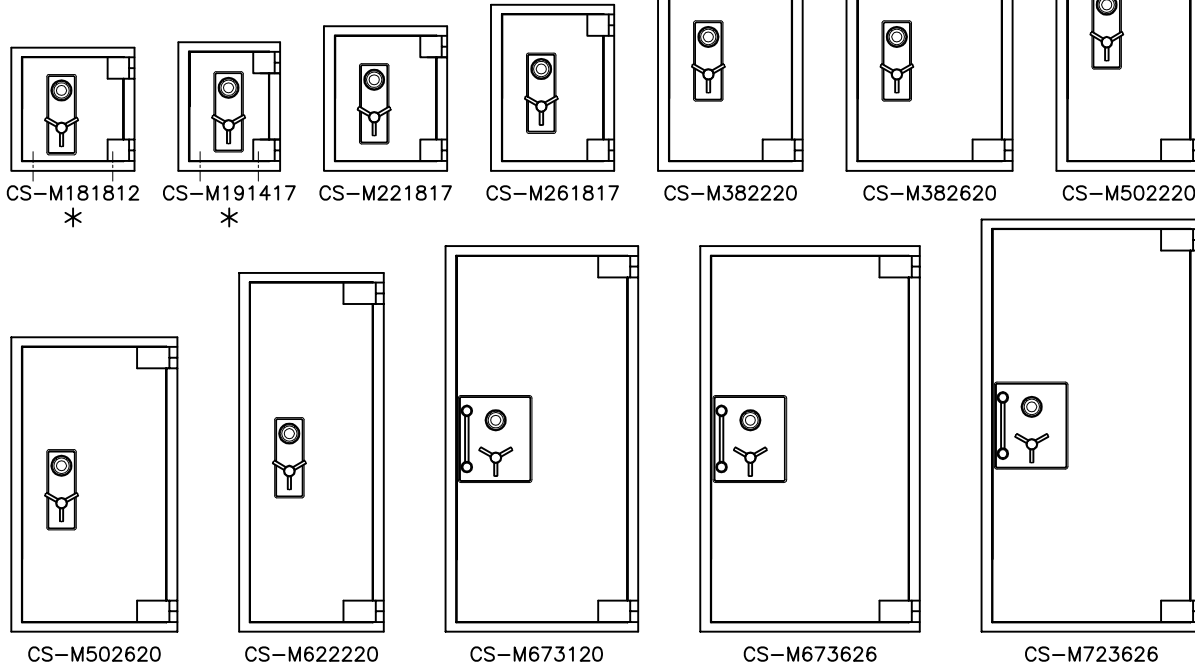
TITLE
PACKAGE RECEIVER

DRAWING NO	DATE	RM
PC 752	17 06 02	RM
ITEM NO	AC-PKR-191708-01	



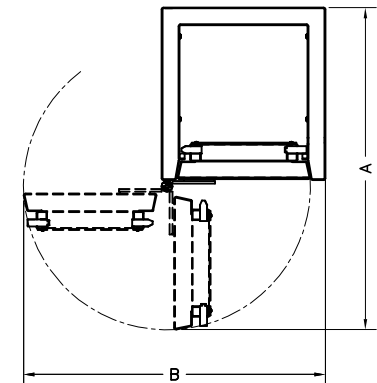
SECURIFORT
INC

* Must be anchored to the floor.



MODELS	DOOR SWING	
	"A"	"B"
CS-M181812-L15	40 3/4"	42 3/4"
CS-M191417-L15	41 1/4"	34 3/4"
CS-M221817-L15	45 1/4"	42 3/4"
CS-M261817-L15	45 1/4"	42 3/4"
CS-M382220-L15	52 3/4"	50 1/2"
CS-M382620-L15	56 3/4"	58 1/2"
CS-M502220-L15	52 3/4"	50 1/2"
CS-M502620-L15	56 3/4"	58 1/2"
CS-M622220-L15	52 3/4"	50 1/2"
CS-M673120-L15	61 3/4"	68 1/2"
CS-M673626-L15	72 3/4"	78 1/2"
CS-M723626-L15	72 3/4"	78 1/2"

MODELS	INSIDE DIMENSIONS			OUTSIDE DIMENSIONS			CLEAR OPEN		OVERALL DEPTH	Cubic ft. Capacity	WEIGHT	SHELVES QTY
	HEIGHT	WIDTH	DEPTH	HEIGHT	WIDTH	DEPTH	HEIGHT	WIDTH				
CS-M181812-L15	18"	18"	12"	23"	23"	19 3/4"	18"	16 1/2"	21 1/2"	2.25	665 lbs	1 *
CS-M191417-L15	19"	14"	16 1/2"	24"	19"	24 1/4"	19"	12 1/2"	26"	2.54	695 lbs	1 *
CS-M221817-L15	22"	18"	16 1/2"	27"	23"	24 1/4"	22"	16 1/2"	26"	3.78	870 lbs	2
CS-M261817-L15	26"	18"	16 1/2"	31"	23"	24 1/4"	26"	16 1/2"	26"	4.47	970 lbs	2
CS-M382220-L15	38"	22"	20"	43"	27"	27 3/4"	38"	20 1/2"	29 1/2"	9.68	1540 lbs	3
CS-M382620-L15	38"	26"	20"	43"	31"	27 3/4"	38"	24 1/2"	29 1/2"	11.43	1695 lbs	3
CS-M502220-L15	50"	22"	20"	55"	27"	27 3/4"	50"	20 1/2"	29 1/2"	12.73	1890 lbs	4
CS-M502620-L15	50"	26"	20"	55"	31"	27 3/4"	50"	24 1/2"	29 1/2"	15.04	2070 lbs	4
CS-M622220-L15	62"	22"	20"	67"	27"	27 3/4"	62"	20 1/2"	29 1/2"	15.79	2240 lbs	5
CS-M673120-L15	67"	31"	20"	72"	36"	27 3/4"	67"	29 1/2"	29 1/2"	24.03	2865 lbs	5
CS-M673626-L15	67"	36"	26"	72"	41"	33 3/4"	67"	34 1/2"	35 1/2"	36.29	3530 lbs	5
CS-M723626-L15	72"	36"	26"	77"	41"	33 3/4"	72"	34 1/2"	35 1/2"	39	3735 lbs	6



SECURITY



LISTED

TL-15 Composite

TL-15

TL-30

TL-30X6

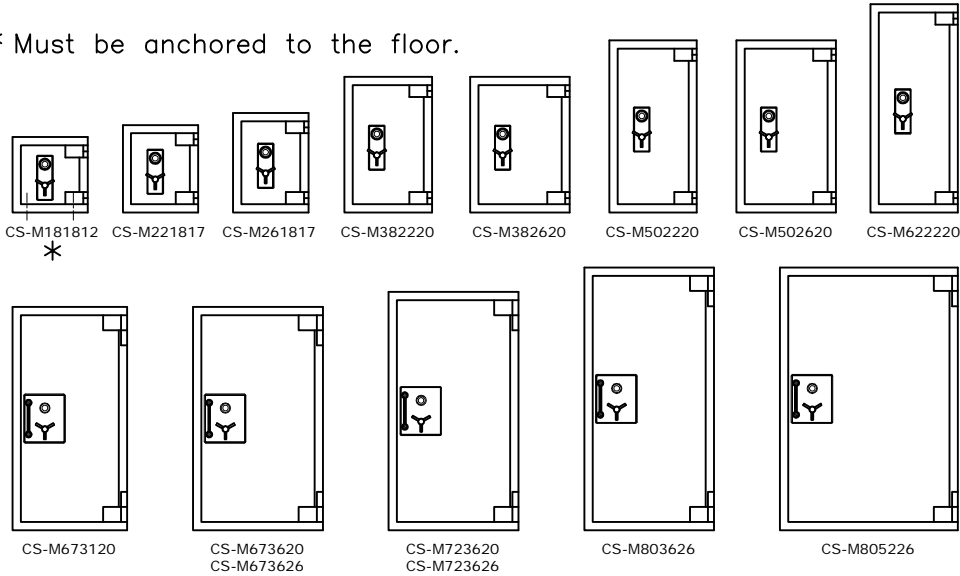
TRTL-30

TRTL-30X6

Banking products

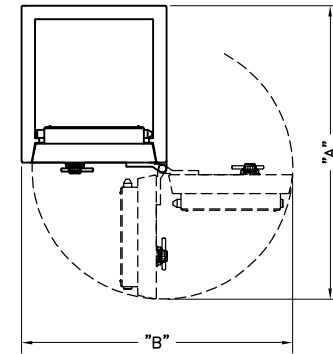
Commercial products

* Must be anchored to the floor.



MODELS	DOOR SWING	
	"A"	"B"
CS-M181812-L30	42 5/8"	42 1/2"
CS-M221817-L30	47 1/8"	42 1/2"
CS-M261817-L30	47 1/8"	42 1/2"
CS-M382220-L30	54 5/8"	50 1/2"
CS-M382620-L30	58 5/8"	58 1/2"
CS-M502220-L30	54 5/8"	50 1/2"
CS-M502620-L30	58 5/8"	58 1/2"
CS-M622220-L30	54 5/8"	50 1/2"
CS-M673120-L30	64 3/8"	67 3/4"
CS-M673620-L30	69 3/8"	77 3/4"
CS-M673626-L30	75 3/8"	77 3/4"
CS-M723620-L30	69 3/8"	77 3/4"
CS-M723626-L30	75 3/8"	77 3/4"
CS-M803626-L30	75 3/8"	77 3/4"
CS-M805226-L30	91 3/8"	109 3/4"

MODELS	INSIDE DIMENSIONS			OUTSIDE DIMENSIONS			CLEAR OPEN		OVERALL DEPTH	Cubic ft. Capacity	WEIGHT	SHELVES QTY
	HEIGHT	WIDTH	DEPTH	HEIGHT	WIDTH	DEPTH	HEIGHT	WIDTH				
CS-M181812-L30	18"	18"	12"	23"	23"	21 1/4"	18"	16 1/2"	23 1/4"	2,25	710 lbs	1
CS-M221817-L30	22"	18"	16 1/2"	27"	23"	25 3/4"	22"	16 1/2"	27 3/4"	3,78	925 lbs	2
CS-M261817-L30	26"	18"	16 1/2"	31"	23"	25 3/4"	26"	16 1/2"	27 3/4"	4,47	1035 lbs	2
CS-M382220-L30	38"	22"	20"	43"	27"	29 1/4"	38"	20 1/2"	31 1/4"	9,68	1640 lbs	3
CS-M382620-L30	38"	26"	20"	43"	31"	29 1/4"	38"	24 1/2"	31 1/4"	11,43	1810 lbs	3
CS-M502220-L30	50"	22"	20"	55"	27"	29 1/4"	50"	20 1/2"	31 1/4"	12,73	2020 lbs	4
CS-M502620-L30	50"	26"	20"	55"	31"	29 1/4"	50"	24 1/2"	31 1/4"	15,04	2220 lbs	4
CS-M622220-L30	62"	22"	20"	67"	27"	29 1/4"	62"	20 1/2"	31 1/4"	15,79	2400 lbs	5
CS-M673120-L30	67"	31"	20"	72"	36"	29 1/4"	67"	29 1/2"	32 1/4"	24,03	3090 lbs	5
CS-M673620-L30	67"	36"	20"	72"	41"	29 1/4"	67"	34 1/2"	32 1/4"	27,92	3300 lbs	5
CS-M673626-L30	67"	36"	26"	72"	41"	35 1/4"	67"	34 1/2"	38 1/4"	36,29	3785 lbs	5
CS-M723620-L30	72"	36"	20"	77"	41"	29 1/4"	72"	34 1/2"	32 1/4"	30	3650 lbs	6
CS-M723626-L30	72"	36"	26"	77"	41"	35 1/4"	72"	34 1/2"	38 1/4"	39	4010 lbs	6
CS-M803626-L30	80"	36"	26"	85"	41"	35 1/4"	80"	34 1/2"	38 1/4"	43,33	4360 lbs	6
CS-M805226-L30	80"	52"	26"	85"	57"	35 1/4"	80"	50 1/2"	38 1/4"	62,59	5490 lbs	6



SECURITY



LISTED

TL-30 Composite

TL-15

TL-30

TL-30X6

TRTL-30

TRTL-30X6

Banking products

Commercial products

CONSTRUCTION

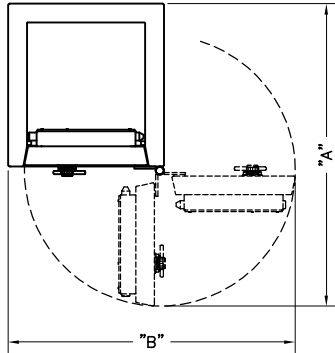
BODY AND DOOR 3 1/2" THICK. ED

MECHANISM

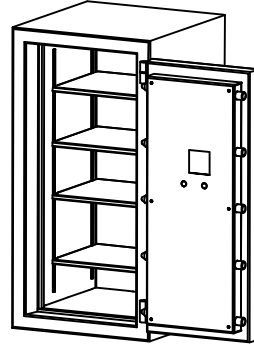
- MECHANISM WITH 1 1/2"Ø MASSIVE STAINLESS STEEL BOLTS AND 2 AUTOMATIC RELOCKING SYSTEMS.
- LOCK PROTECTED BY A 3/8" TH. HARD PLATE & RELOCK GLASS.
- S&G GR2M 3 WHEEL COMBO LOCK.

FINISH

HIGH QUALITY PAINT WITH ANTI-RUST TREATMENT.



MODELS	DOOR SWING	
	"A"	"B"
CS-O181812-L630	44 1/2"	45 1/2"
CS-O221817-L630	49"	45 1/2"
CS-O261817-L630	49"	45 1/2"
CS-O382220-L630	56 1/2"	53 1/2"
CS-O382620-L630	60 1/2"	61 1/2"
CS-O502220-L630	56 1/2"	53 1/2"
CS-O502620-L630	60 1/2"	61 1/2"
CS-O622220-L630	56 1/2"	53 1/2"
CS-O673120-L630	66 1/2"	71"
CS-O673620-L630	71 1/2"	81"
CS-O673626-L630	77 1/2"	81"
CS-O723620-L630	71 1/2"	81"
CS-O723626-L630	77 1/2"	81"
CS-O803626-L630	77 1/2"	81"
CS-O805226-L630	93 1/2"	113"

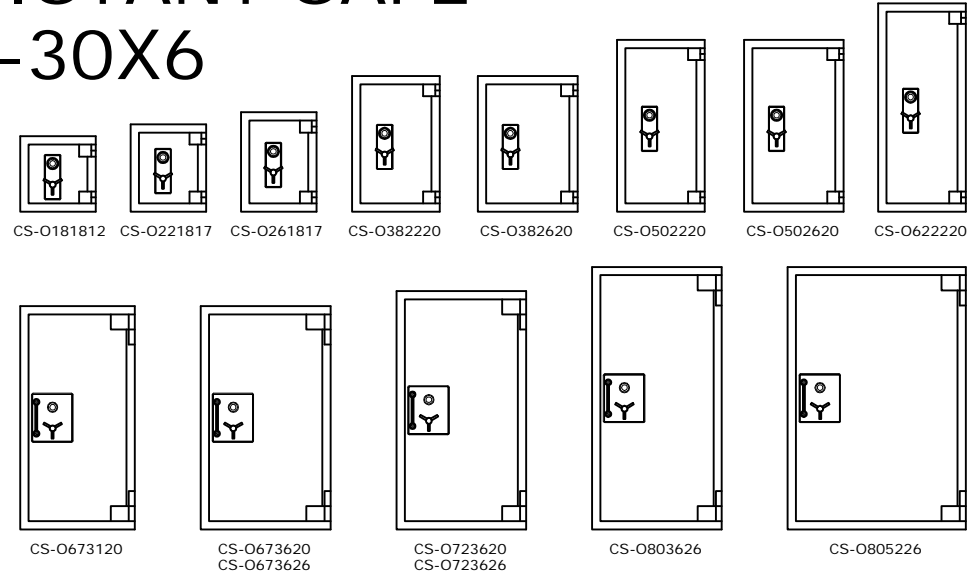


TOOL RESISTANT SAFE

TL-30X6

OPTIONS

- INTERIOR COMPARTMENTS.
- ELECTRONIC LOCK.
- 2 ANCHOR HOLES 3/4"Ø.



MODELS	INSIDE DIMENSIONS			OUTSIDE DIMENSIONS			CLEAR OPEN		OVERALL DEPTH	Cubic ft. Capacity	WEIGHT	SHELVES qty
	HEIGHT	WIDTH	DEPTH	HEIGHT	WIDTH	DEPTH	HEIGHT	WIDTH				
CS-O181812-L63	18"	18"	12"	25"	25"	22 1/2"	18"	16 1/2"	24 1/4"	2,25	1065 lbs	1
CS-O221817-L63	22"	18"	16 1/2"	29"	25"	27"	22"	16 1/2"	28 3/4"	3,78	1370 lbs	2
CS-O261817-L63	26"	18"	16 1/2"	33"	25"	27"	26"	16 1/2"	28 3/4"	4,47	1520 lbs	2
CS-O382220-L63	38"	22"	20"	45"	29"	30 1/2"	38"	20 1/2"	32 1/4"	9,68	2375 lbs	3
CS-O382620-L63	38"	26"	20"	45"	33"	30 1/2"	38"	24 1/2"	32 1/4"	11,43	2600 lbs	3
CS-O502220-L63	50"	22"	20"	57"	29"	30 1/2"	50"	20 1/2"	32 1/4"	12,73	2895 lbs	4
CS-O502620-L63	50"	26"	20"	57"	33"	30 1/2"	50"	24 1/2"	32 1/4"	15,04	3165 lbs	4
CS-O622220-L63	62"	22"	20"	69"	29"	30 1/2"	62"	20 1/2"	32 1/4"	15,79	3420 lbs	5
CS-O673120-L63	67"	31"	20"	74"	38"	30 1/2"	67"	29 1/2"	33 1/2"	24,03	4370 lbs	5
CS-O673620-L63	67"	36"	20"	74"	43"	30 1/2"	67"	34 1/2"	33 1/2"	27,92	4775 lbs	5
CS-O673626-L63	67"	36"	26"	74"	43"	36 1/2"	67"	34 1/2"	39 1/2"	36,29	5315 lbs	5
CS-O723620-L63	72"	36"	20"	79"	43"	30 1/2"	72"	34 1/2"	33 1/2"	30	5050 lbs	6
CS-O723626-L63	72"	36"	26"	79"	43"	36 1/2"	72"	34 1/2"	39 1/2"	39	5615 lbs	6
CS-O803626-L63	80"	36"	26"	87"	43"	36 1/2"	80"	34 1/2"	39 1/2"	43,33	6095 lbs	6
CS-O805226-L63	80"	52"	26"	87"	59"	36 1/2"	80"	50 1/2"	39 1/2"	62,59	7650 lbs	6



SECURIFORT
INC



Underwriters Laboratories Inc.®
Listed

TOOL-RESISTANT SAFE
TL-30X6

DATE			DRAWN BY		DRAWING NO	
26	02	08	CV	CS-L63		

TL-15 TOOL-RESISTANT PLATE SAFE HIGH TENSILE 1/2" BODY

CONSTRUCTION

DOOR 1" HIGH TENSILE STEEL PLATE.
BODY 1/2" HIGH TENSILE STEEL PLATE.

MECHANISM

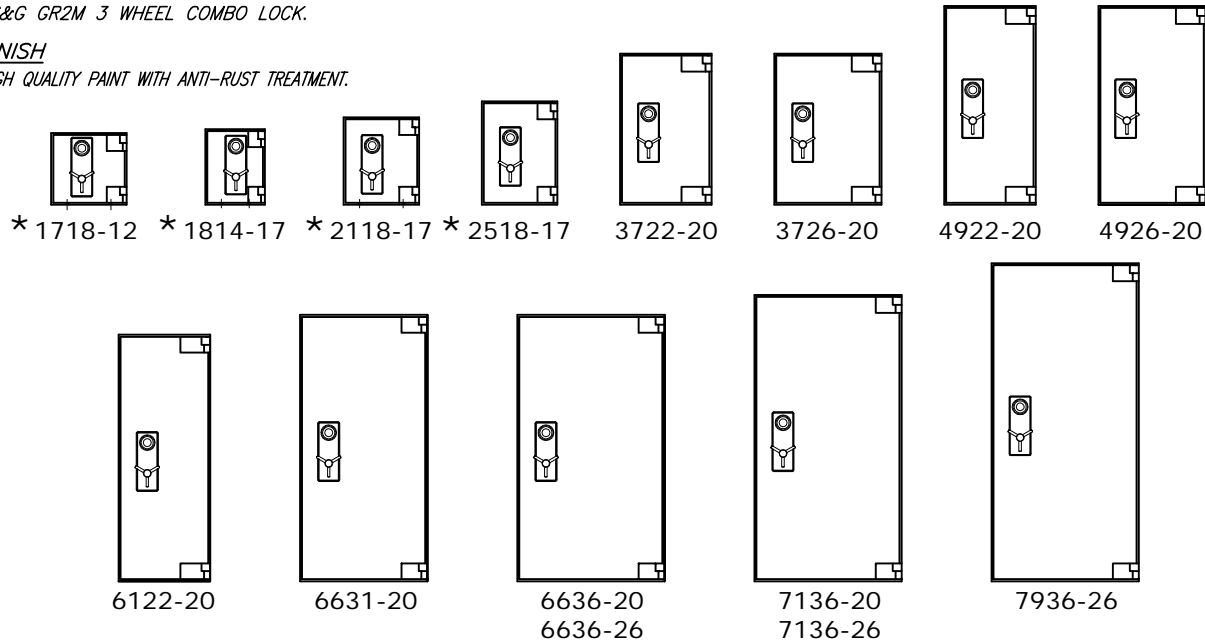
-MECHANISM WITH 1"Ø MASSIVE
STAINLESS STEEL LOCKING BOLTS AND
2 AUTOMATIC RELOCKING SYSTEMS.
-LOCK PROTECTED BY A 3/8" TH.
HARD PLATE & LARGE ARMOR GLASS.
-S&G GR2M 3 WHEEL COMBO LOCK.

OPTIONS

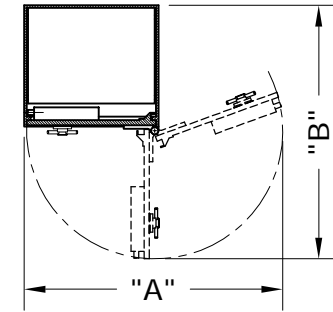
-INTERIOR COMPARTMENTS.
-ELECTRONIC LOCK.
-2 ANCHOR HOLES 3/4"Ø,
OPTIONAL ON MODEL PS-J251817 & UP
STANDARD ON MODELS HS-H171812 & HS-H181417 & HS-H211817 & HS-H251817

FINISH

HIGH QUALITY PAINT WITH ANTI-RUST TREATMENT.



MODELS	DOOR SWING	
	"A"	"B"
HS-H171812-L15	36 1/2"	35"
HS-H181417-L15	28 1/2"	35 1/2"
HS-H211817-L15	36 1/2"	39 1/2"
HS-H251817-L15	36 1/2"	39 1/2"
HS-H372220-L15	44"	47"
HS-H372620-L15	52"	51"
HS-H492220-L15	44"	47"
HS-H492620-L15	52"	51"
HS-H612220-L15	44"	47"
HS-H663120-L15	62"	56"
HS-H663626-L15	72"	67"
HS-H713626-L15	72"	67"



* Must be anchored to the floor.

MODELS	INSIDE DIMENSIONS			OUTSIDE DIMENSIONS			CLEAR OPEN		OVERALL DEPTH	Cubic ft. Capacity	WEIGHT	SHELVES QTY
	HEIGHT	WIDTH	DEPTH	HEIGHT	WIDTH	DEPTH	HEIGHT	WIDTH				
*HS-H171812-L15	17"	18"	12"	18"	19"	16 1/4"	16 1/2"	16 1/2"	18 1/4"	2.13	300 lbs	1
*HS-H181417-L15	18"	14"	16 1/2"	19"	15"	20 3/4"	17 1/2"	12 1/2"	22 3/4"	2.41	315 lbs	1
*HS-H211817-L15	21"	18"	16 1/2"	22"	19"	20 3/4"	20 1/2"	16 1/2"	22 3/4"	3.60	415 lbs	2
HS-H251817-L15	25"	18"	16 1/2"	26"	19"	20 3/4"	24 1/2"	16 1/2"	22 3/4"	4.30	465 lbs	2
HS-H372220-L15	37"	22"	20"	38"	23"	24 1/4"	36 1/2"	20 1/2"	26 1/4"	9.42	780 lbs	3
HS-H372620-L15	37"	26"	20"	38"	27"	24 1/4"	36 1/2"	24 1/2"	26 1/4"	11.13	870 lbs	3
HS-H492220-L15	49"	22"	20"	50"	23"	24 1/4"	48 1/2"	20 1/2"	26 1/4"	12.48	970 lbs	4
HS-H492620-L15	49"	26"	20"	50"	27"	24 1/4"	48 1/2"	24 1/2"	26 1/4"	14.75	1085 lbs	4
HS-H612220-L15	61"	22"	20"	62"	23"	24 1/4"	60 1/2"	20 1/2"	26 1/4"	15.53	1170 lbs	5
HS-H663120-L15	66"	31"	20"	67"	32"	24 1/4"	65 1/2"	29 1/2"	26 1/4"	23.68	1570 lbs	5
HS-H663626-L15	66"	36"	26"	67"	37"	30 1/4"	65 1/2"	34 1/2"	32 1/4"	35.75	1920 lbs	5
HS-H713626-L15	71"	36"	26"	72"	37"	30 1/4"	70 1/2"	34 1/2"	32 1/4"	38.46	2040 lbs	6



**TOOL-RESISTANT
TL-15 HIGH TENSILE
1/2" BODY**

DATE	DRAWN BY	DRAWING NO
20 07 09	CV	HS-L15

TL-30 TOOL-RESISTANT PLATE SAFE HIGH TENSILE 1/2" BODY

CONSTRUCTION

DOOR 1 1/2" HIGH TENSILE STEEL PLATE.
BODY 1/2" HIGH TENSILE STEEL PLATE.

MECHANISM

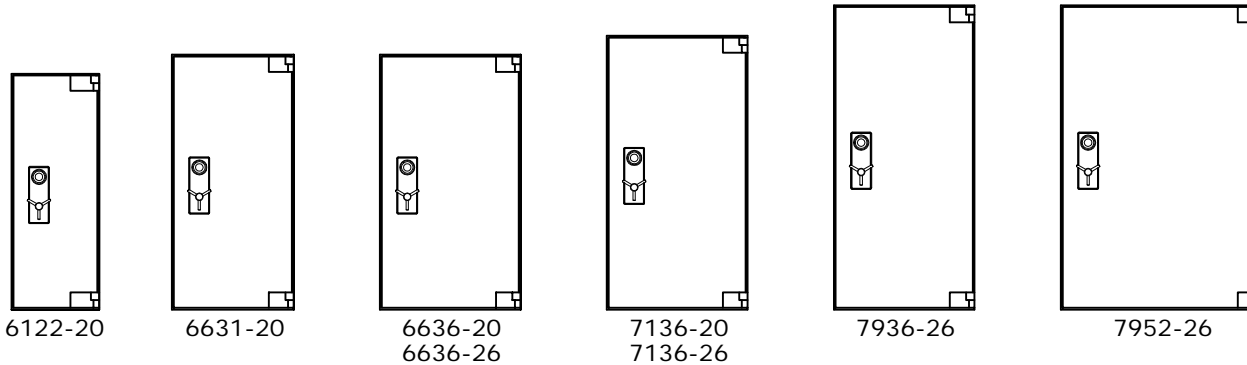
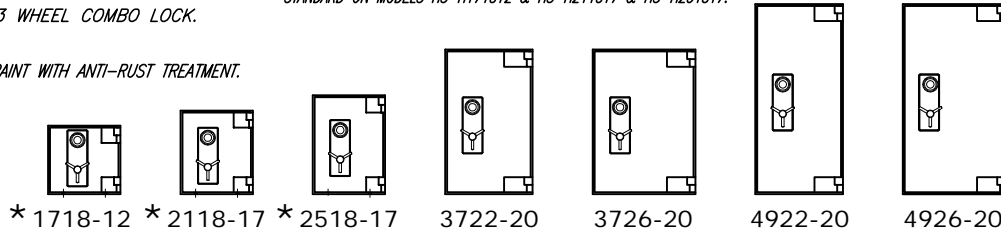
-MECHANISM WITH 1 1/2"Ø MASSIVE STAINLESS STEEL LOCKING BOLTS AND 2 AUTOMATIC RELOCKING SYSTEMS.
-LOCK PROTECTED BY A 3/8" TH. HARD PLATE & LARGE ARMOR GLASS.
-S&G GR2M 3 WHEEL COMBO LOCK.

FINISH

HIGH QUALITY PAINT WITH ANTI-RUST TREATMENT.

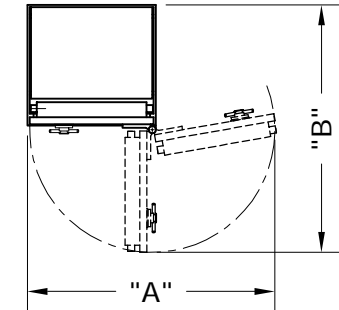
OPTIONS

-INTERIOR COMPARTMENTS.
-ELECTRONIC LOCK.
-2 ANCHOR HOLES 3/4"Ø, OPTIONAL ON MODEL HS-H372220 & UP, STANDARD ON MODELS HS-H171812 & HS-H211817 & HS-H251817.



* Must be anchored to the floor.

MODELS	DOOR SWING	
	"A"	"B"
HS-H171812-L30	36"	36"
HS-H211817-L30	36 1/2"	40 1/2"
HS-H251817-L30	36 1/2"	40 1/2"
HS-H372220-L30	44"	48"
HS-H372620-L30	52"	52"
HS-H492220-L30	44"	48"
HS-H492620-L30	52"	52 1/2"
HS-H612220-L30	44"	48 1/2"
HS-H663120-L30	62"	57 1/2"
HS-H663620-L30	72"	62 1/2"
HS-H663626-L30	72"	68 1/2"
HS-H713620-L30	72"	62 1/2"
HS-H713626-L30	72"	68 1/2"
HS-H793626-L30	72"	68 1/2"
HS-H795226-L30	104"	84 1/2"



MODELS	INSIDE DIMENSIONS			OUTSIDE DIMENSIONS			CLEAR OPEN		OVERALL DEPTH	Cubic ft Capacity	WEIGHT	SHELVES QTY.
	HEIGHT	WIDTH	DEPTH	HEIGHT	WIDTH	DEPTH	HEIGHT	WIDTH				
*HS-H171812-L30	17"	18"	12"	18"	19"	17 1/4"	16 1/2"	16 1/2"	19 1/4"	2.13	360 lbs	1
*HS-H211817-L30	21"	18"	16 1/2"	22"	19"	21 3/4"	20 1/2"	16 1/2"	23 3/4"	3.60	470 lbs	2
*HS-H251817-L30	25"	18"	16 1/2"	26"	19"	21 3/4"	24 1/2"	16 1/2"	23 3/4"	4.30	540 lbs	2
HS-H372220-L30	37"	22"	20"	38"	23"	25 1/4"	36 1/2"	20 1/2"	27 1/4"	9.42	965 lbs	3
HS-H372620-L30	37"	26"	20"	38"	27"	25 1/4"	36 1/2"	24 1/2"	27 1/4"	11.13	1055 lbs	3
HS-H492220-L30	49"	22"	20"	50"	23"	25 1/4"	48 1/2"	20 1/2"	27 1/4"	12.48	1180 lbs	4
HS-H492620-L30	49"	26"	20"	50"	27"	25 3/4"	48 1/2"	24 1/2"	27 3/4"	14.75	1445 lbs	4
HS-H612220-L30	61"	22"	20"	62"	23"	25 3/4"	60 1/2"	20 1/2"	27 3/4"	15.53	1555 lbs	5
HS-H663120-L30	66"	31"	20"	67"	32"	25 3/4"	65 1/2"	29 1/2"	27 3/4"	23.68	2155 lbs	5
HS-H663620-L30	66"	36"	20"	67"	37"	25 3/4"	65 1/2"	34 1/2"	27 3/4"	27.50	2420 lbs	5
HS-H663626-L30	66"	36"	26"	67"	37"	31 3/4"	65 1/2"	34 1/2"	33 3/4"	35.75	2600 lbs	5
HS-H713620-L30	71"	36"	20"	72"	37"	25 3/4"	70 1/2"	34 1/2"	27 3/4"	29.58	2590 lbs	6
HS-H713626-L30	71"	36"	26"	72"	37"	31 3/4"	70 1/2"	34 1/2"	33 3/4"	38.46	2785 lbs	6
HS-H793626-L30	79"	36"	26"	80"	37"	31 3/4"	78 1/2"	34 1/2"	33 3/4"	42.79	3060 lbs	6
HS-H795226-L30	79"	52"	26"	80"	53"	31 3/4"	78 1/2"	50 1/2"	33 3/4"	61.81	4095 lbs	6



SECURIFORT
INC



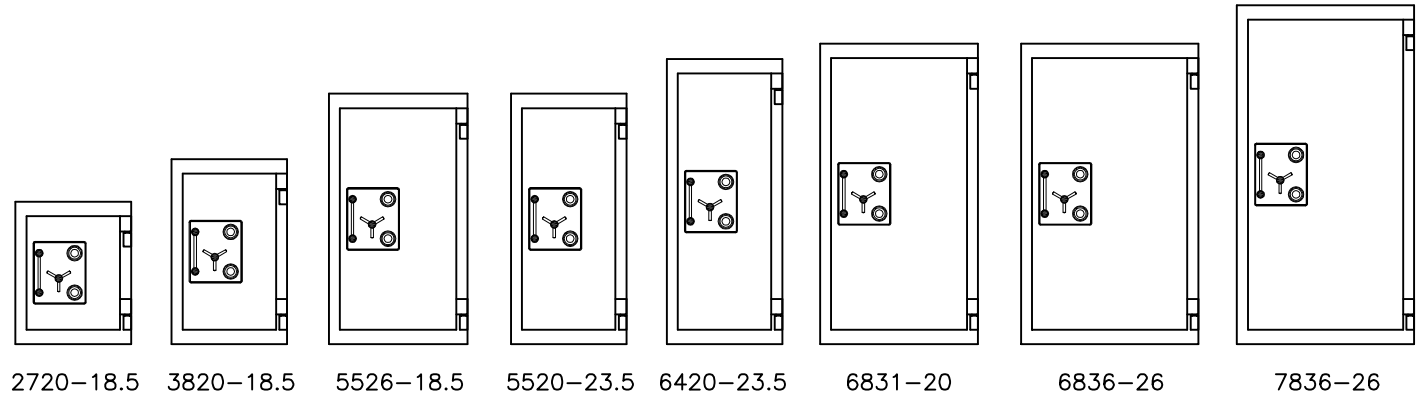
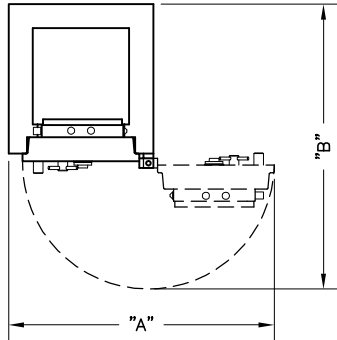
Underwriters Laboratories Inc.®
Listed

**TOOL-RESISTANT
TL-30 HIGH TENSILE
1/2" BODY**

DATE	DRAWN BY	DRAWING NO.
21 07 09	CV	HS-L30

MODELS	DOOR SWING	
	DIMENSIONS	
	"A"	"B"
2720-18.5	55 1/8"	59 1/8"
3820-18.5	55 1/8"	59 1/8"
5526-18.5	67 1/8"	65 1/8"
5520-23.5	55 1/8"	64 1/8"
6420-23.5	55 1/8"	64 1/8"
6831-20	77 1/8"	71 5/8"
6836-26	87 1/8"	81 3/4"
7836-26	87 1/8"	82 5/8"

TORCH & TOOL RESISTANT SAFE TRTL-30X6



MODELS	INSIDE DIMENSIONS			OUTSIDE DIMENSIONS			CLEAR OPEN		OVERALL DEPTH	Cubic ft. Capacity	WEIGHT	SHELVES QTY
	HEIGHT	WIDTH	DEPTH	HEIGHT	WIDTH	DEPTH	HEIGHT	WIDTH				
2720-18.5	27"	20"	18 1/2"	37"	30"	31"	25"	18"	35 1/8"	5,78	2340 lbs	2
3820-18.5	38"	20"	18 1/2"	48"	30"	31"	36"	18"	35 1/8"	8,13	2870 lbs	3
5526-18.5	55"	26"	18 1/2"	65"	36"	31"	53"	24"	35 1/8"	15,30	4200 lbs	4
5520-23.5	55"	20"	23 1/2"	65"	30"	36"	53"	18"	40 1/8"	14,95	4100 lbs	4
6420-23.5	64"	20"	23 1/2"	74"	30"	36"	62"	18"	40 1/8"	17,40	4575 lbs	5
6831-20	68"	31"	20"	78"	41"	32 1/2"	66"	29"	36 5/8"	24,39	5500 lbs	5
6836-26	68"	36"	26"	78"	46"	38 1/2"	66"	34"	42 5/8"	36,83	6485 lbs	5
7836-26	78"	36"	26"	88"	46"	38 1/2"	76"	34"	42 5/8"	42,25	7420 lbs	6

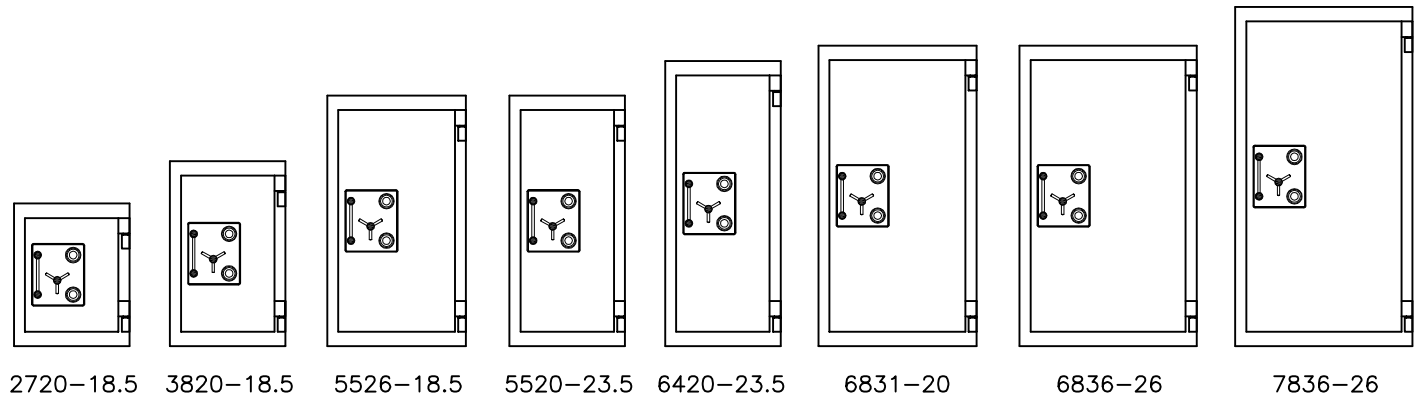
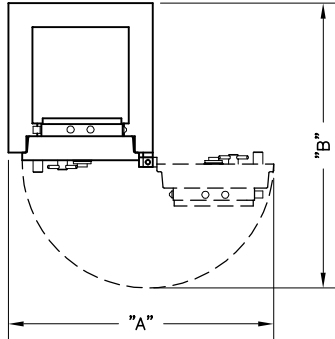


**TORCH & TOOL
RESISTANT SAFE
TRTL-30X6**

DATE	DRAWN BY	DRAWING NO
08 05 07	CV	PC 558 R2

MODELS	DOOR SWING	
	DIMENSIONS	
	"A"	"B"
2720-18.5	55 1/8"	59 1/8"
3820-18.5	55 1/8"	59 1/8"
5526-18.5	67 1/8"	65 1/8"
5520-23.5	55 1/8"	64 1/8"
6420-23.5	55 1/8"	64 1/8"
6831-20	77 1/8"	71 5/8"
6836-26	87 1/8"	81 3/4"
7836-26	87 1/8"	82 5/8"

TORCH & TOOL RESISTANT SAFE TRTL-30



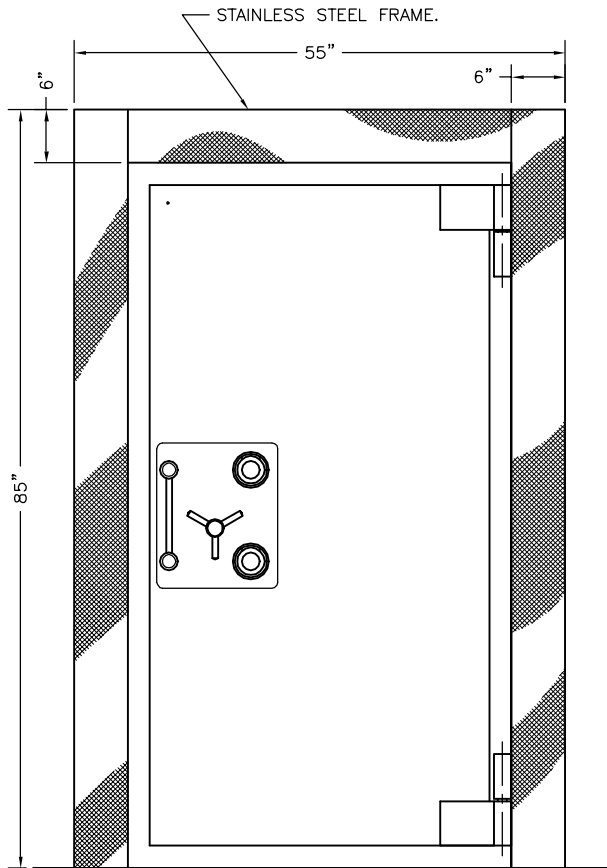
MODELS	INSIDE DIMENSIONS			OUTSIDE DIMENSIONS			CLEAR OPEN		OVERALL DEPTH	WEIGHT	SHELVES QTY
	HEIGHT	WIDTH	DEPTH	HEIGHT	WIDTH	DEPTH	HEIGHT	WIDTH			
2720-18.5	27"	20"	18 1/2"	37"	30"	31"	25"	18"	35 1/8"	2575 lbs	2
3820-18.5	38"	20"	18 1/2"	48"	30"	31"	36"	18"	35 1/8"	3100 lbs	3
5526-18.5	55"	26"	18 1/2"	65"	36"	31"	53"	24"	35 1/8"	4685 lbs	4
5520-23.5	55"	20"	23 1/2"	65"	30"	36"	53"	18"	40 1/8"	4550 lbs	4
6420-23.5	64"	20"	23 1/2"	74"	30"	36"	62"	18"	40 1/8"	5190 lbs	5
6831-20	68"	31"	20"	78"	41"	32 1/2"	66"	29"	36 5/8"	6185 lbs	5
6836-26	68"	36"	26"	78"	46"	38 1/2"	66"	34"	42 5/8"	7515 lbs	5
7836-26	78"	36"	26"	88"	46"	38 1/2"	76"	34"	42 5/8"	8600 lbs	6



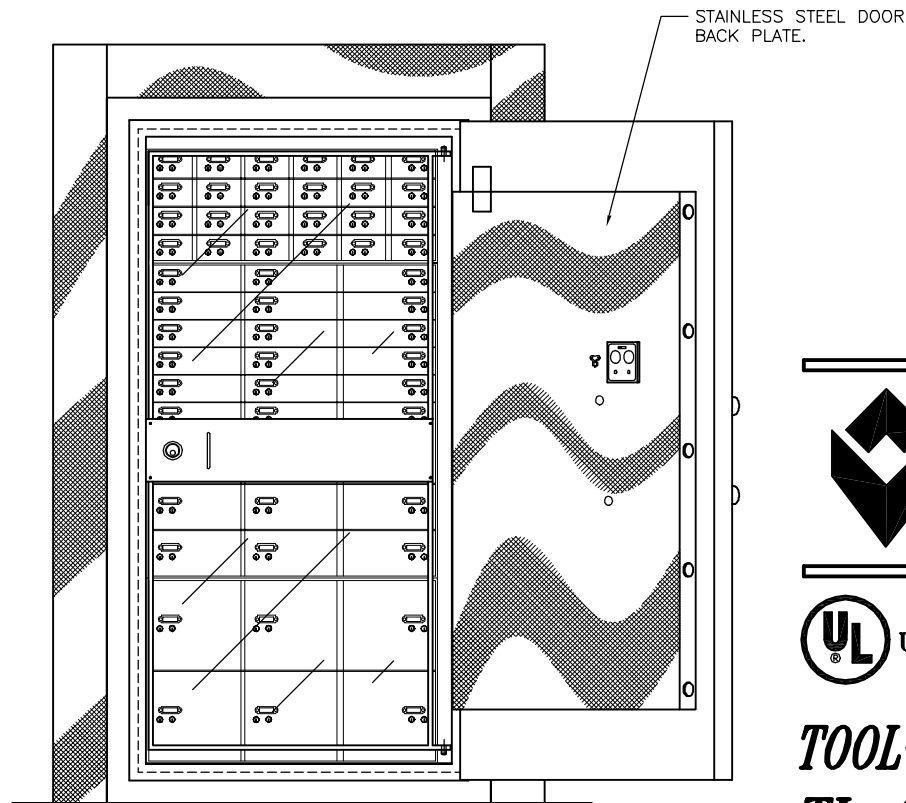
TORCH & TOOL
RESISTANT SAFE
TRTL-30

DATE	DRAWN BY	DRAWING NO.
08 05 07	CV	PC 562 R2

SAFE DEPOSIT BOX SAFE WITH DAY GATE.



ELEVATION



ELEVATION WITH DOOR OPEN



***TOOL-RESISTANT SAFE
TL-30 #7236-28.5
with Stainless Steel Options.***

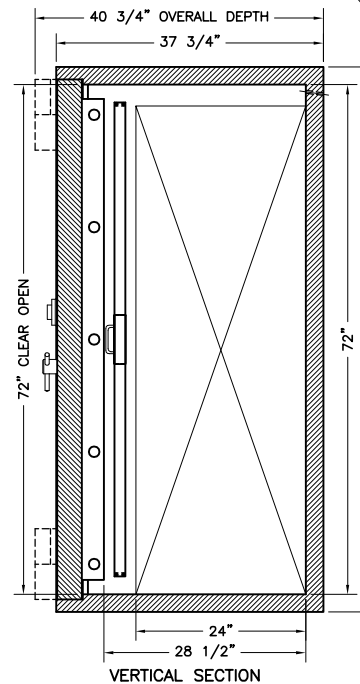
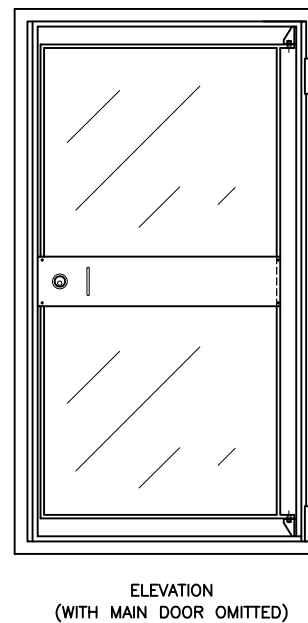
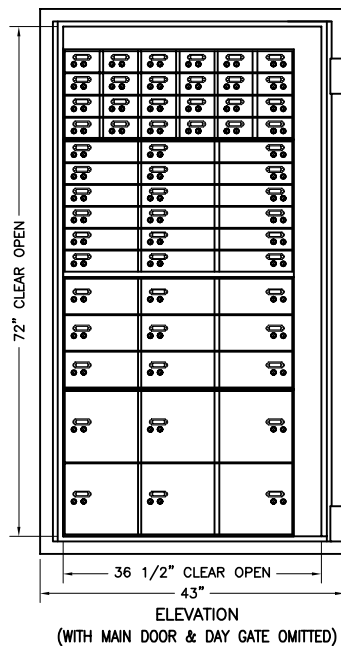
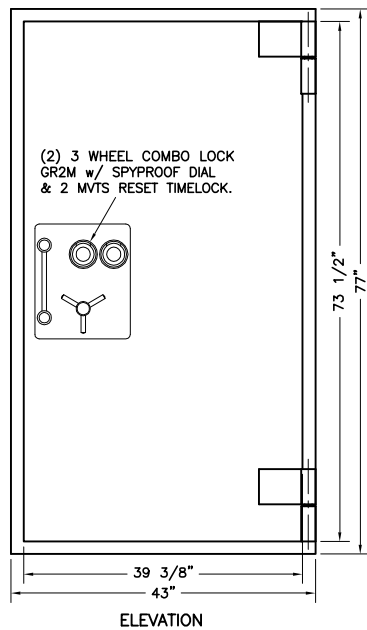
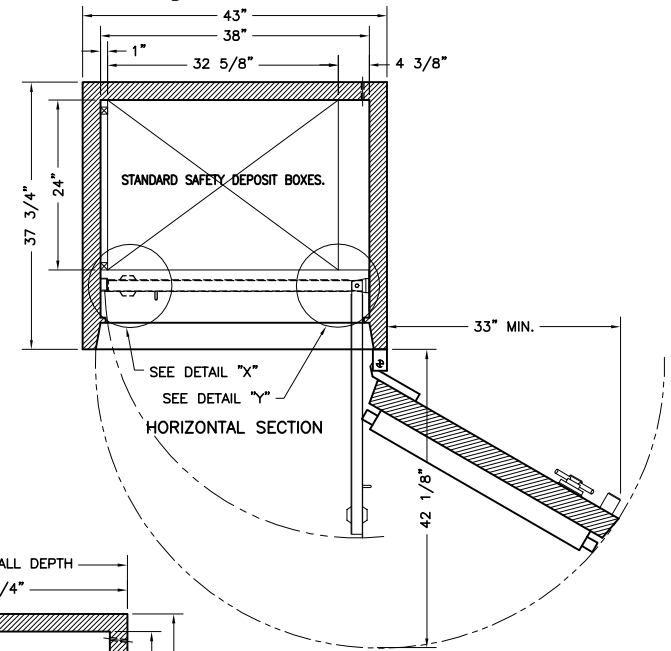
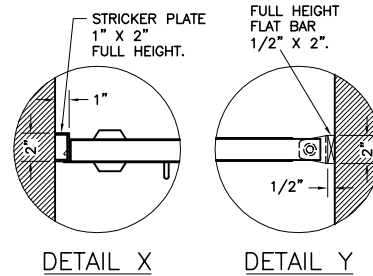
DRAWING NO	DRAWN BY	DATE		
PC 923 B	RM	14	05	03

Safety Deposit Box SAFE with Day Gate.

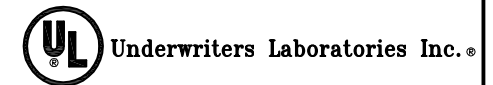
APPROX. TOTAL WEIGHT (TL-30)= 5900 lbs.

ALARM PACKAGE- ONE HEAT DETECTOR.
ONE DOOR CONTACT.

OPTIONAL VIBRATION DETECTOR #DV-1201.



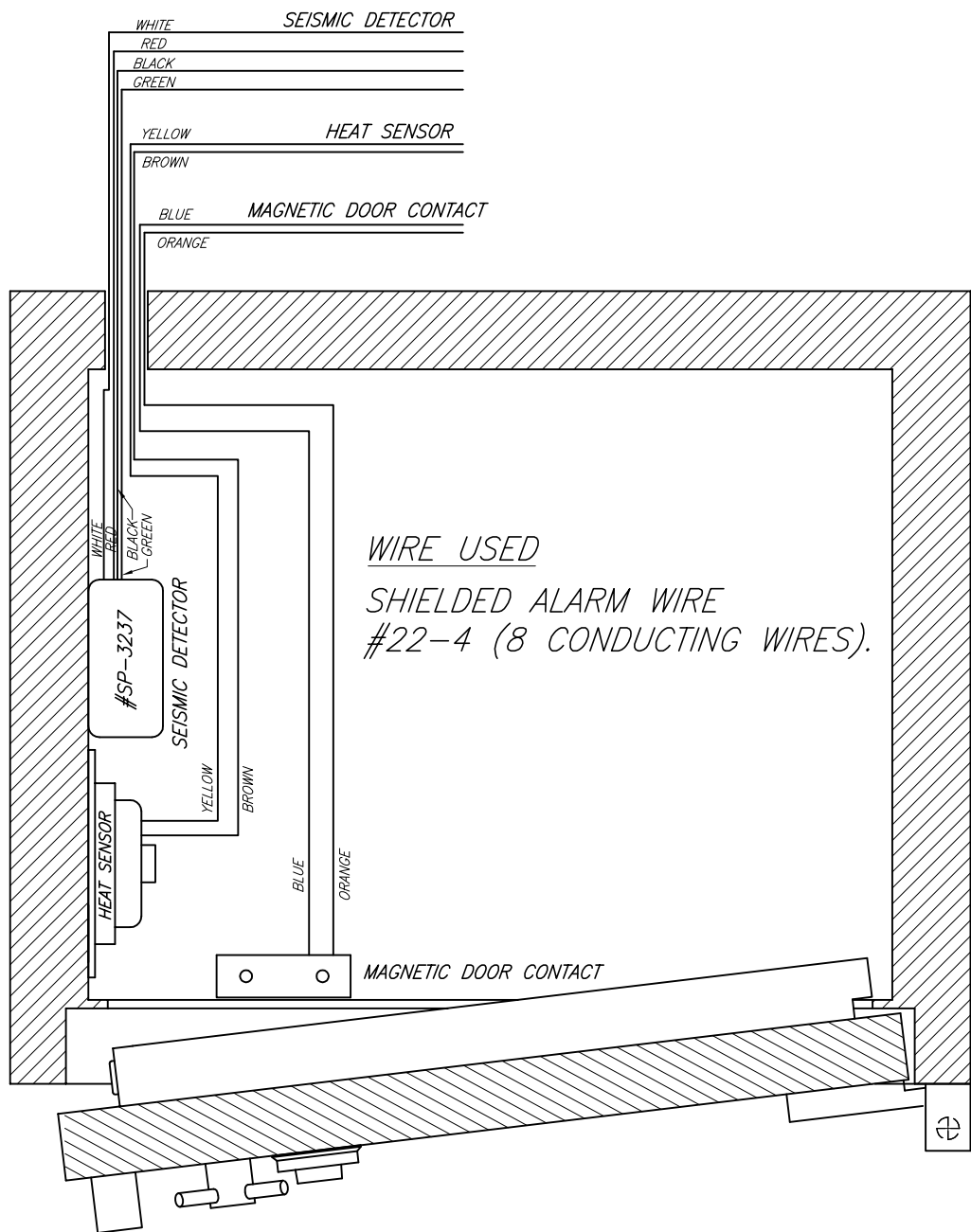
SHOWN WITH REMOVABLE SDB INTERIOR
OTHER OPENING SIZES AVAILABLE



TOOL-RESISTANT SAFE
TL-30 #7238-29
w/ SDB & Day Gate

30	06	10	REDRAWN w/ NEW TL30 CERTIF.	RM
NO	DATE		REVISION	BY

DRAWING NO	DRAWN BY	DATE
PC 923 R1	RM	14 05 03



TYPICAL HORIZONTAL CROSS SECTION

2	12 12 07	WIRE DIAGRAM COLOR WAS CHANGED.	RM
1	03 09 03	WIRE DIAGRAM WAS CHANGED.	RM
NO	DATE	REVISION	BY



TITLE
Typical Alarm Wiring Schematic.

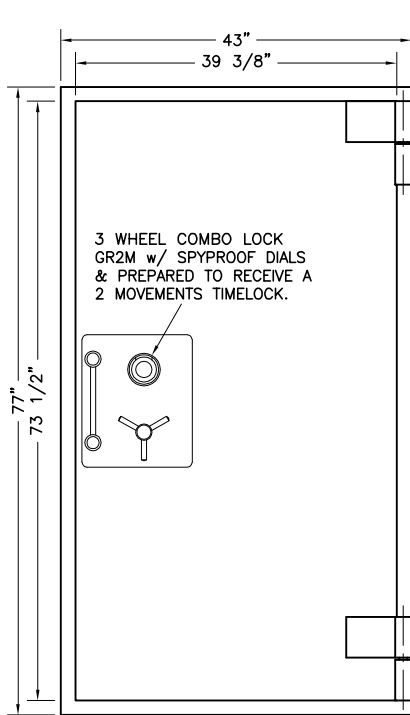
DRAWING NO	DRAWN BY	DATE		
PC 955 R2	RM	05	08	03

APPROX. TOTAL WEIGHT (TL-30) = 5400 lbs.

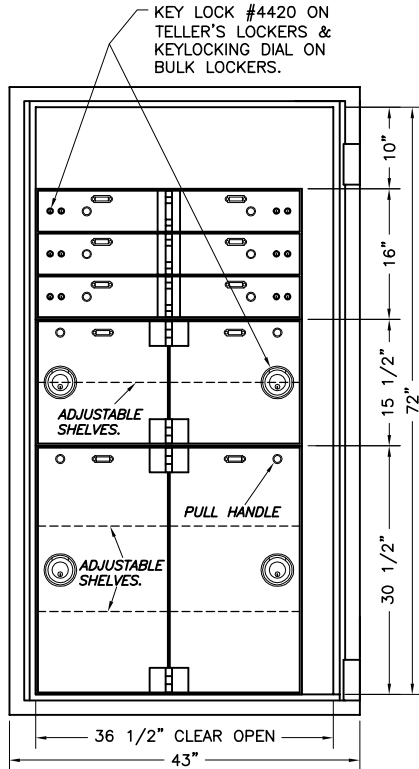
ALARM PACKAGE— ONE HEAT DETECTOR.
ONE DOOR CONTACT.

OPTIONAL VIBRATION DETECTOR #DV-1201.

OPTIONAL 2 MOVEMENTS TIMELOCK STD OR RESET.



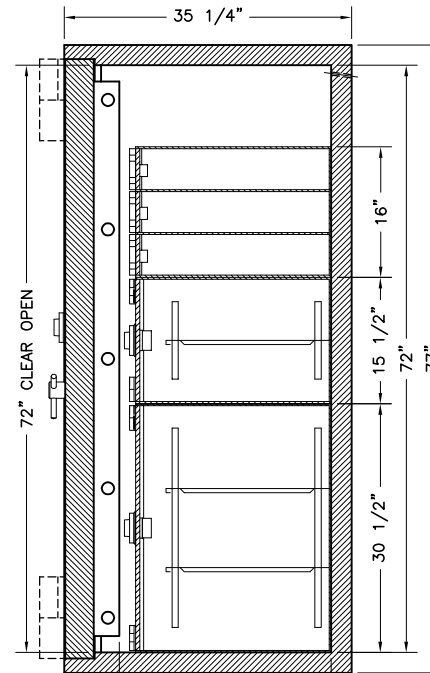
ELEVATION



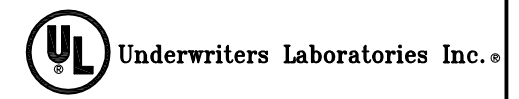
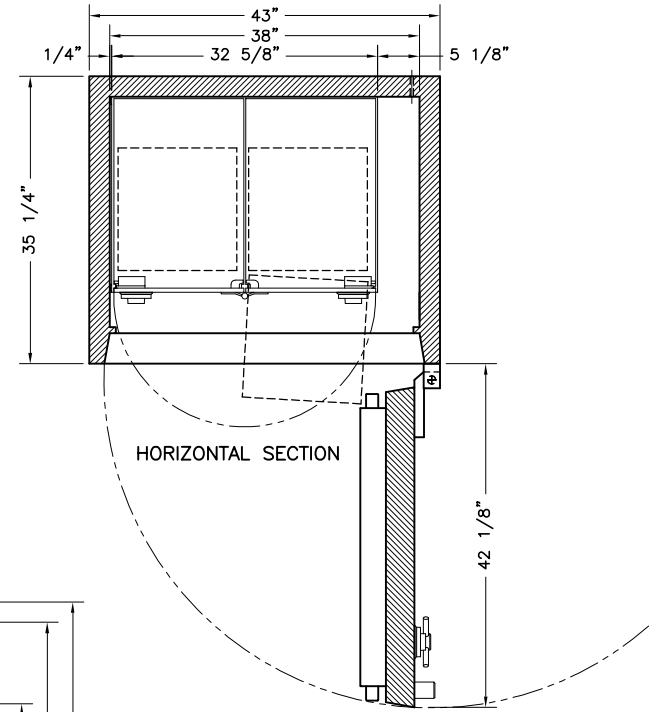
ELEVATION
(WITH MAIN DOOR OMITTED)

LOCKER DESCRIPTION

- 1 Model CL-6H
- 1 Model LTL2
- 1 Model WTL2



VERTICAL SECTION



TOOL-RESISTANT SAFE
TL-30 #7238-26
w/ Removable Lockers.

2	29 06 10	REDRAWN w/ NEW TL30 CERTIF.	RM
1	09 01 05	MODIF. ON ALARM PKG.	RM
NO	DATE	REVISION	BY

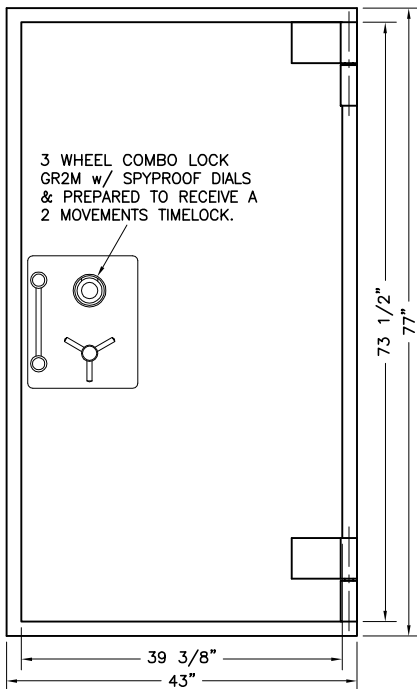
DRAWING NO	DRAWN BY	DATE
PC 1160 R2	RM	16 11 04

APPROX. TOTAL WEIGHT (TL-30) = 5330 lbs.

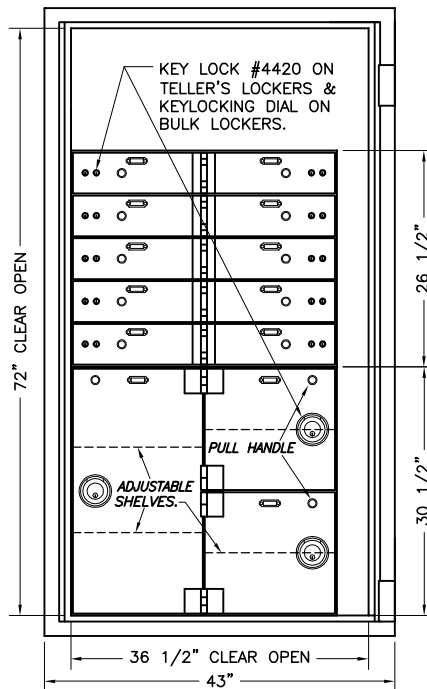
ALARM PACKAGE— ONE HEAT DETECTOR.
ONE DOOR CONTACT.

OPTIONAL VIBRATION DETECTOR #DV-1201.

OPTIONAL 2 MOVEMENTS TIMELOCK STD OR RESET.

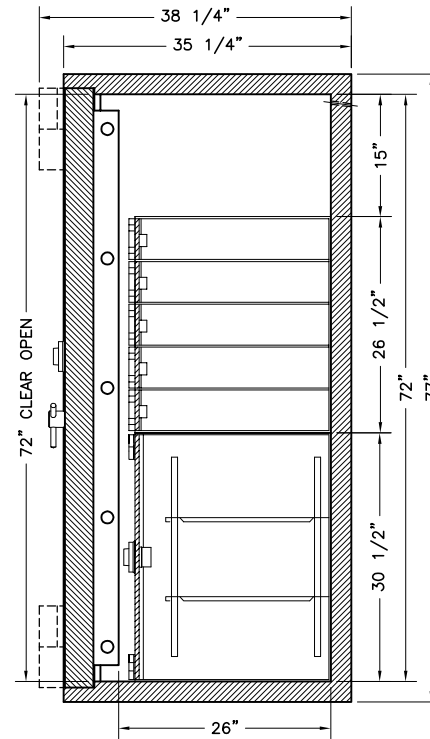


ELEVATION

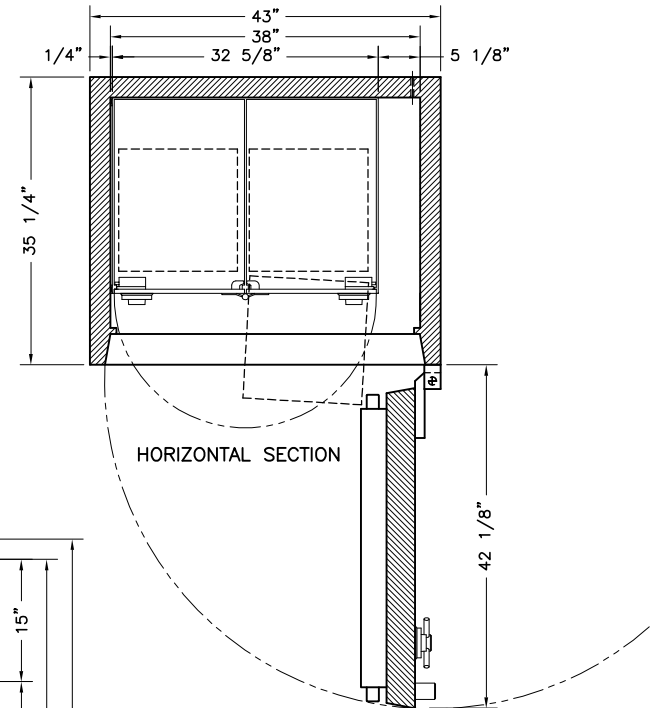


ELEVATION
(WITH MAIN DOOR OMITTED)

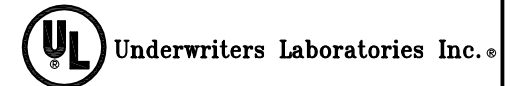
LOCKER DESCRIPTION
1 Model CL-10H
1 Model WTL3



VERTICAL CROSS SECTION



HORIZONTAL SECTION



TOOL-RESISTANT SAFE
TL-30 #7238-26
w/ Removable Lockers.

2	29 06 10	REDRAWN w/ NEW TL30 CERTIF.	RM
1	09 01 05	MODIF. ON ALARM PKG.	RM
NO	DATE	REVISION	BY

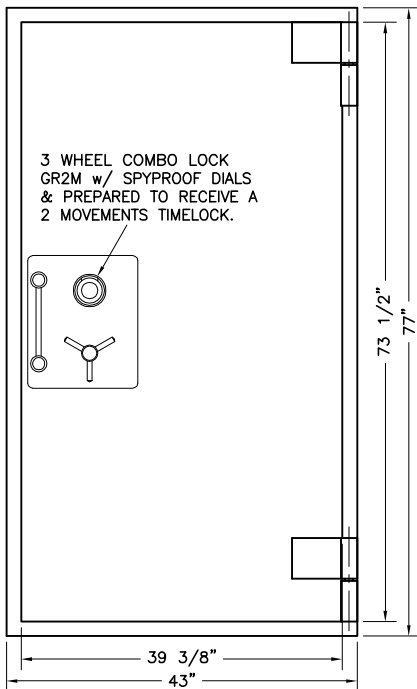
DRAWING NO	DRAWN BY	DATE
PC 1161 R2	RM	16 11 04

APPROX. TOTAL WEIGHT (TL-30) = 5245 lbs.

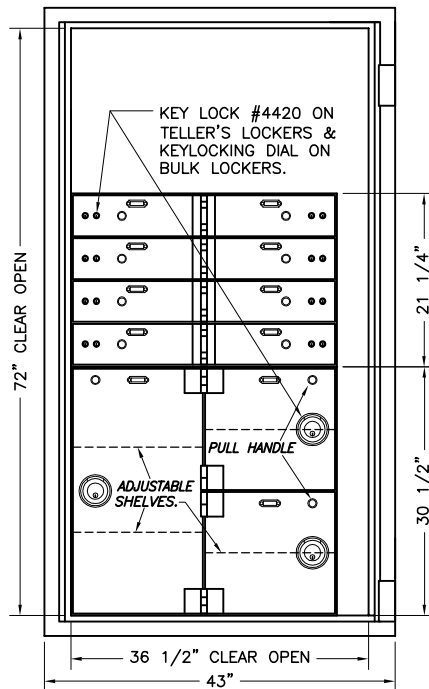
ALARM PACKAGE— ONE HEAT DETECTOR.
ONE DOOR CONTACT.

OPTIONAL VIBRATION DETECTOR #DV-1201.

OPTIONAL 2 MOVEMENTS TIMELOCK STD OR RESET.

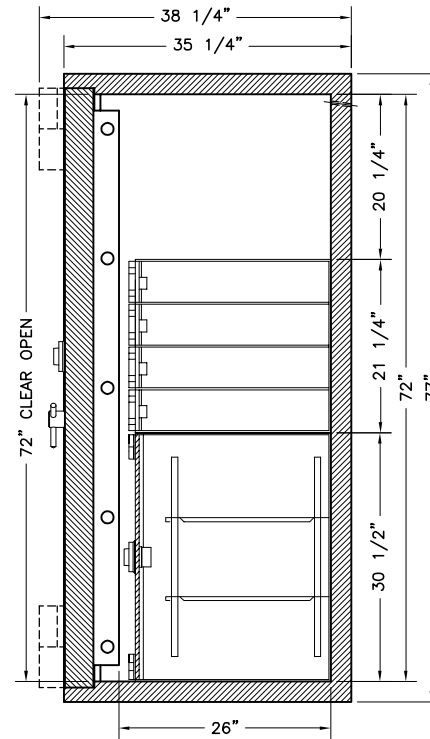


ELEVATION

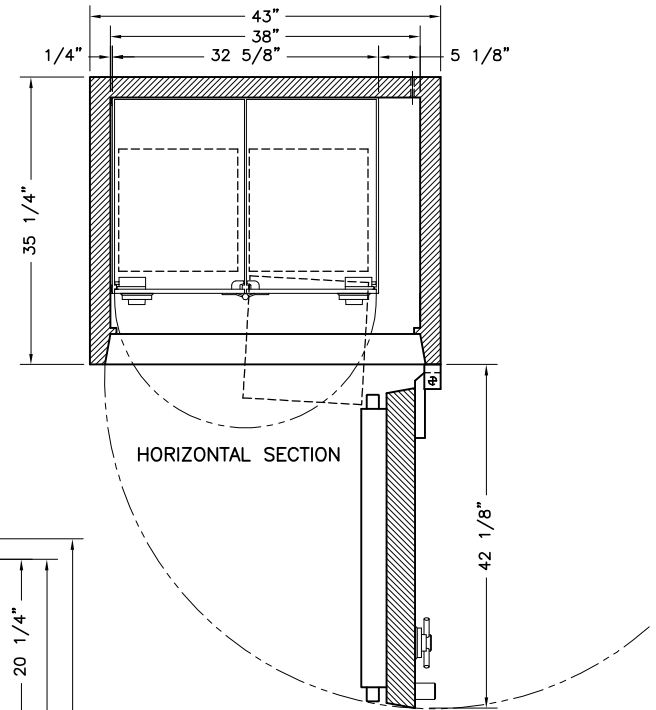


ELEVATION
(WITH MAIN DOOR OMITTED)

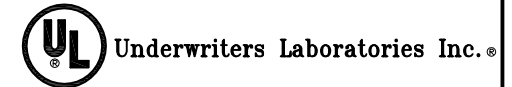
LOCKER DESCRIPTION
1 Model CL-8H
1 Model WTL3



VERTICAL SECTION



HORIZONTAL SECTION



TOOL-RESISTANT SAFE
TL-30 #7238-26
w/ Removable Lockers.

2	29 06 10	REDRAWN w/ NEW TL30 CERTIF.	RM
1	09 01 05	MODIF. ON ALARM PKG.	RM
NO	DATE	REVISION	BY

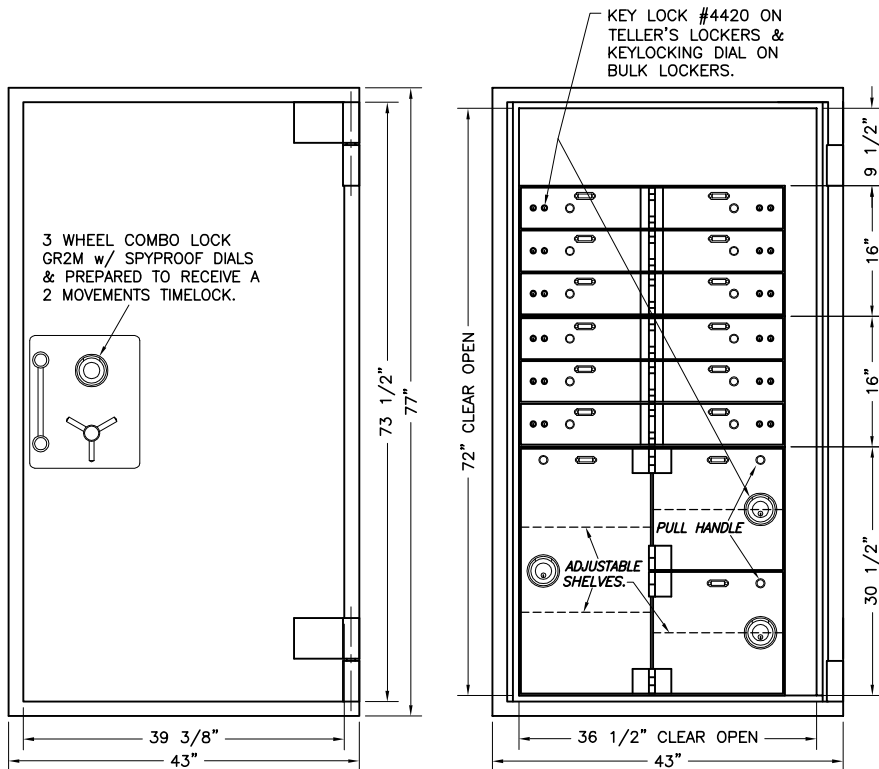
DRAWING NO	DRAWN BY	DATE
PC 1162 R2	RM	16 11 04

APPROX. TOTAL WEIGHT (TL-30) = 5530 lbs.

ALARM PACKAGE— ONE HEAT DETECTOR.
ONE DOOR CONTACT.

OPTIONAL VIBRATION DETECTOR #DV-1201.

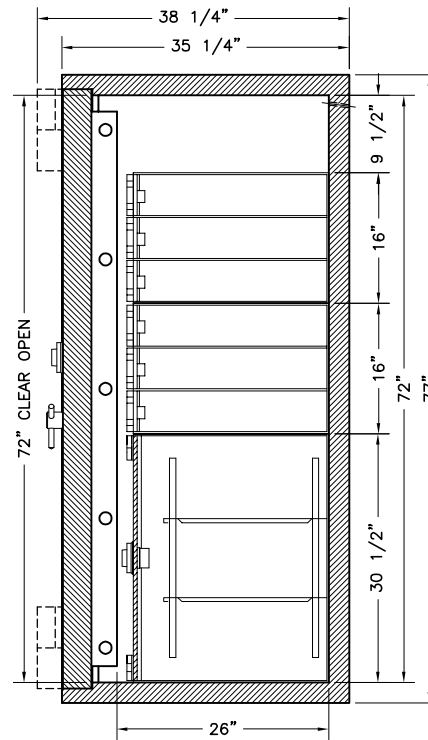
OPTIONAL 2 MOVEMENTS TIMELOCK STD OR RESET.



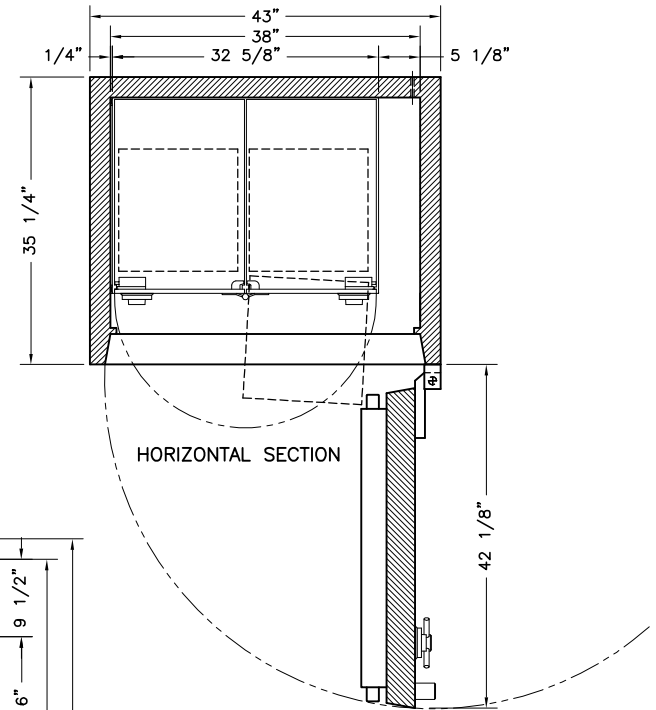
ELEVATION

ELEVATION
(WITH MAIN DOOR OMITTED)

LOCKER DESCRIPTION
2 Models CL-6H
1 Model WTL3



VERTICAL SECTION



HORIZONTAL SECTION



TOOL-RESISTANT SAFE
TL-30 #7238-26
w/ Removable Lockers.

2	29 06 10	REDRAWN w/ NEW TL30 CERTIF.	RM
1	09 01 05	MODIF. ON ALARM PKG.	RM
NO	DATE	REVISION	BY

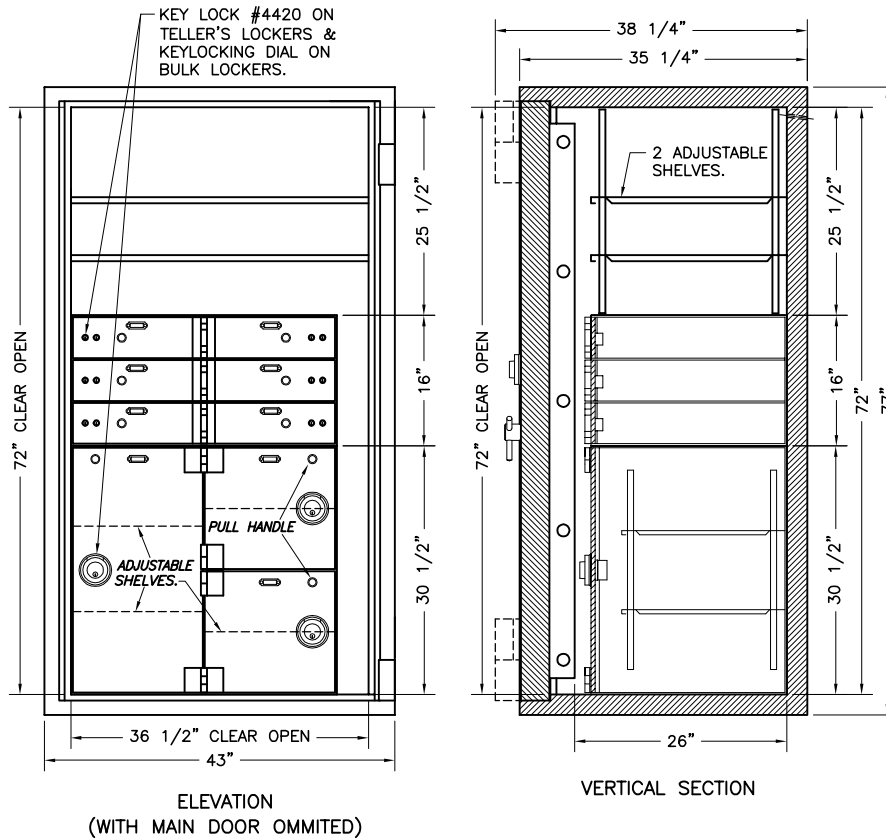
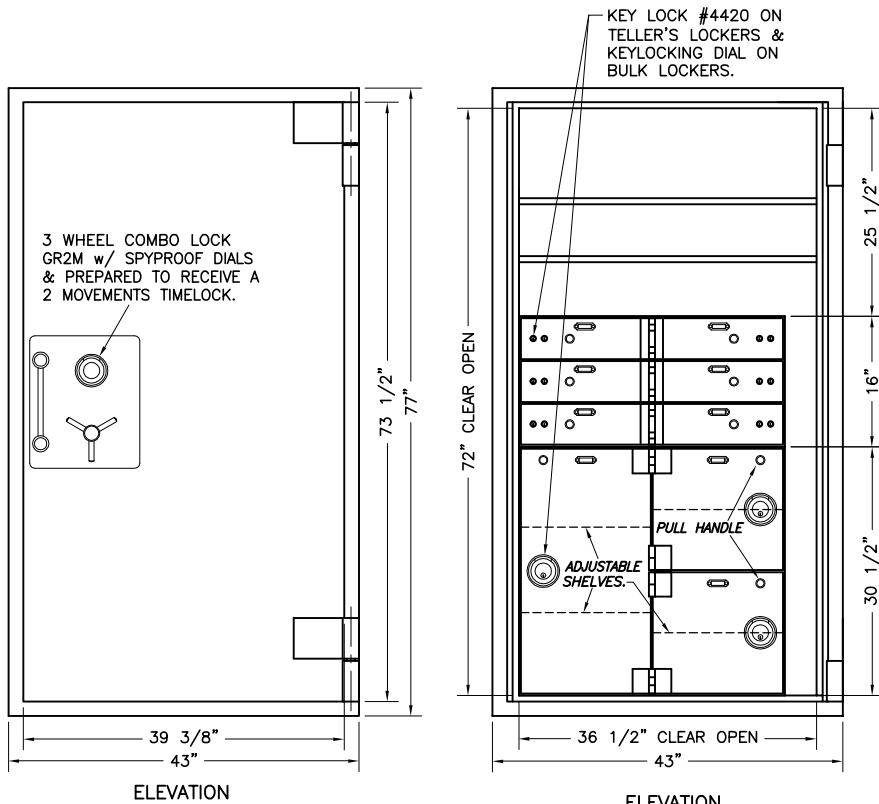
DRAWING NO	DRAWN BY	DATE
PC 1163 R2	RM	16 11 04

APPROX. TOTAL WEIGHT (TL-30) = 5230 lbs.

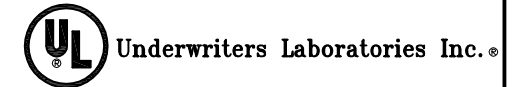
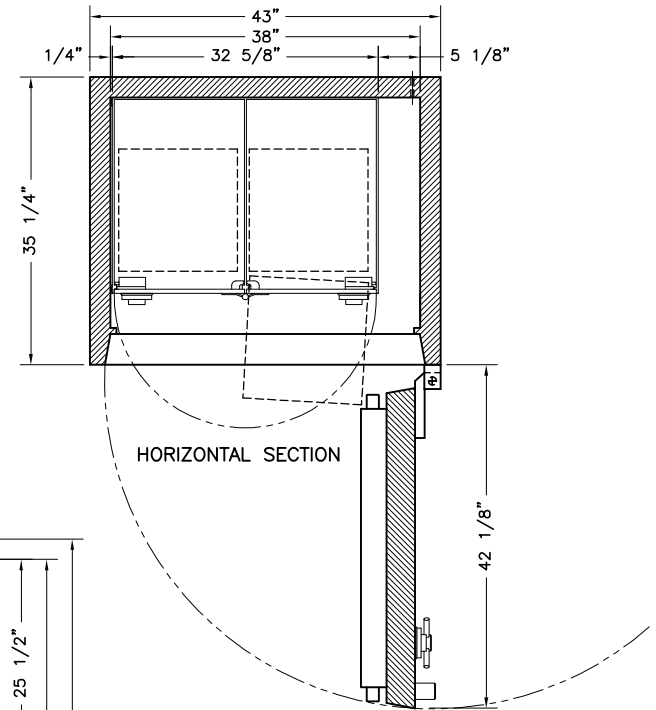
ALARM PACKAGE— ONE HEAT DETECTOR.
ONE DOOR CONTACT.

OPTIONAL VIBRATION DETECTOR #DV-1201.

OPTIONAL 2 MOVEMENTS TIMELOCK STD OR RESET.



LOCKER DESCRIPTION
1 Model CL-6H
1 Model WTL3



TOOL-RESISTANT SAFE
TL-30 #7238-26
w/ Removable Lockers.

2	29 06 10	REDRAWN w/ NEW TL30 CERTIF.	RM
1	09 01 05	MODIF. ON ALARM PKG.	RM
NO	DATE	REVISION	BY

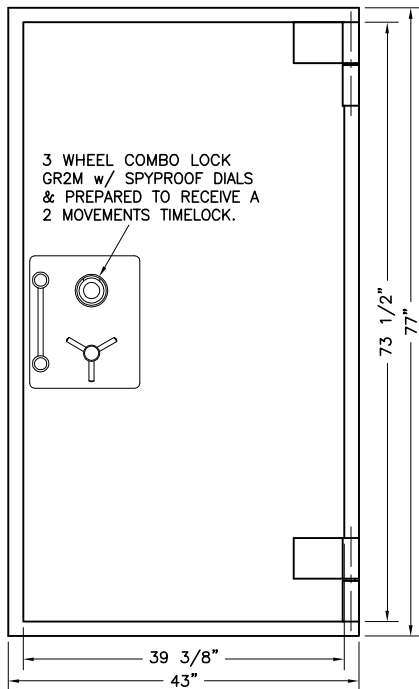
DRAWING NO	DRAWN BY	DATE
PC 1164 R2	RM	16 11 04

APPROX. TOTAL WEIGHT (TL-30) = 6035 lbs.

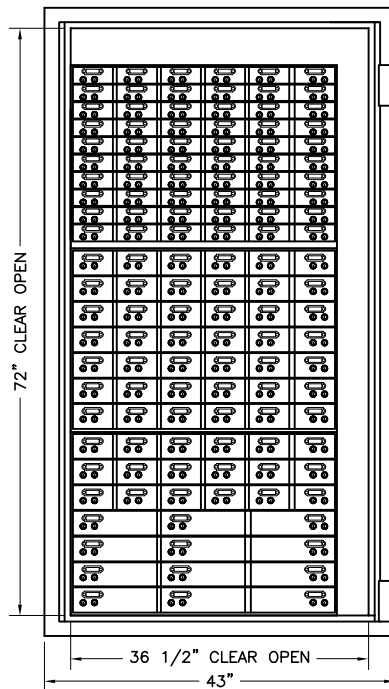
ALARM PACKAGE- ONE HEAT DETECTOR.
ONE DOOR CONTACT.

OPTIONAL VIBRATION DETECTOR #DV-1201.

OPTIONAL 2 MOVEMENTS TIMELOCK STD OR RESET.



ELEVATION

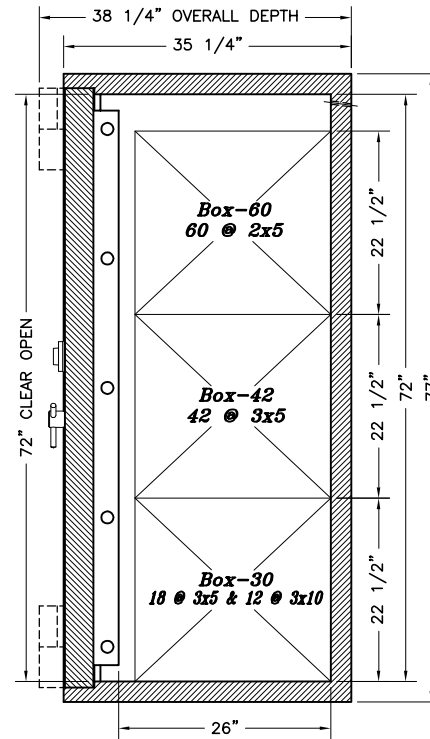


ELEVATION

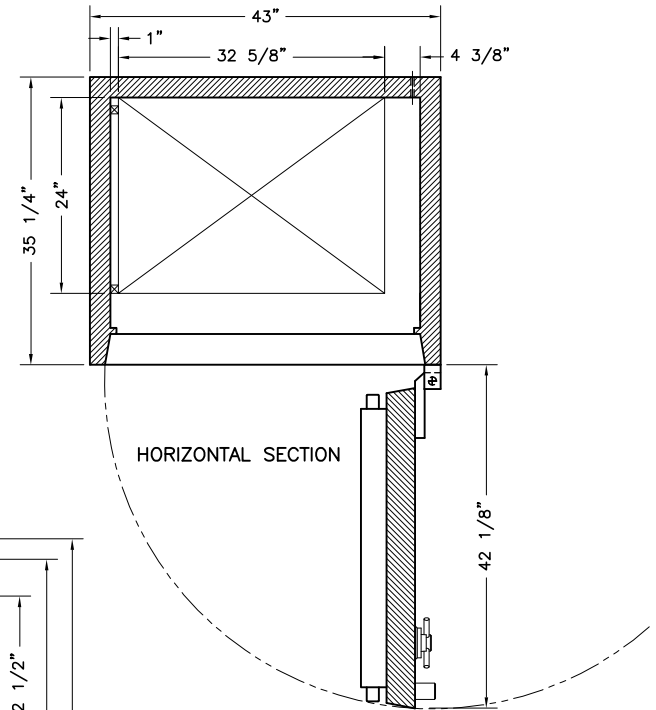
(WITH MAIN DOOR OMITTED)

SDB DESCRIPTION (PC1109)

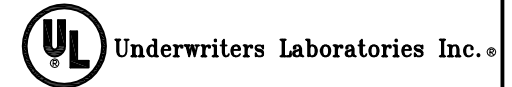
- 1 BOX-60
- 1 BOX-42
- 1 BOX-30



VERTICAL SECTION



HORIZONTAL SECTION



TOOL-RESISTANT SAFE
TL-30 #7238-26
w/ SDB.

2	30 06 10	REDRAWN w/ NEW TL30 CERTIF.	RM
1	09 01 05	MODIF. ON ALARM PKG.	RM
NO	DATE	REVISION	BY

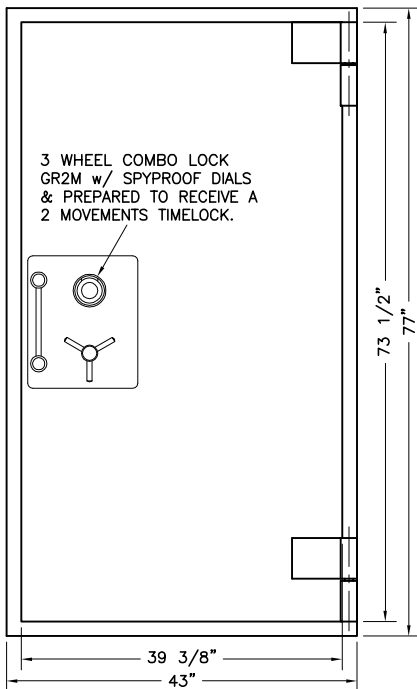
DRAWING NO	DRAWN BY	DATE
PC 1165 R2	RM	17 11 04

APPROX. TOTAL WEIGHT (TL-30) = 5880 lbs.

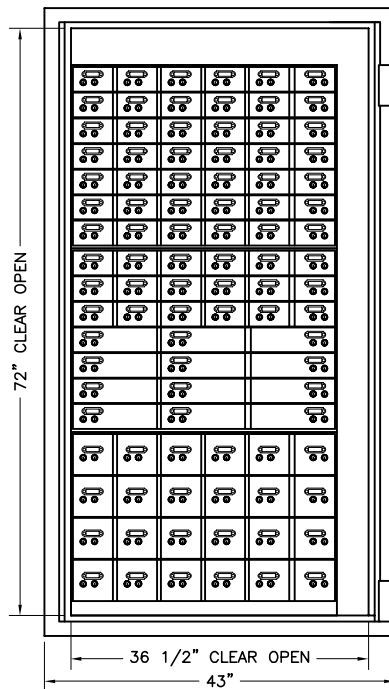
ALARM PACKAGE- ONE HEAT DETECTOR.
ONE DOOR CONTACT.

OPTIONAL VIBRATION DETECTOR #DV-1201.

OPTIONAL 2 MOVEMENTS TIMELOCK STD OR RESET.



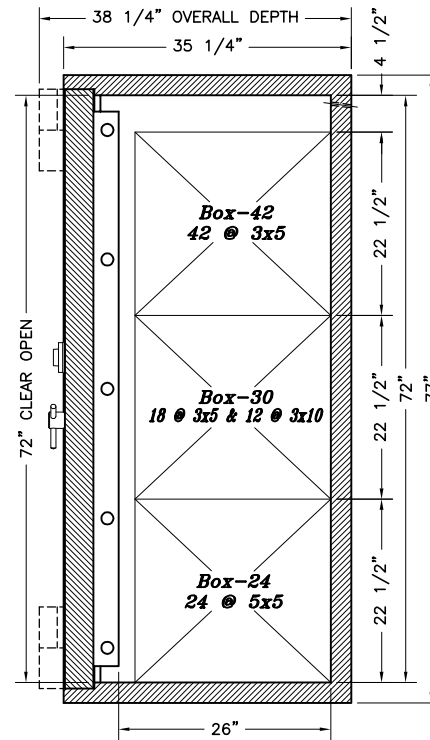
ELEVATION



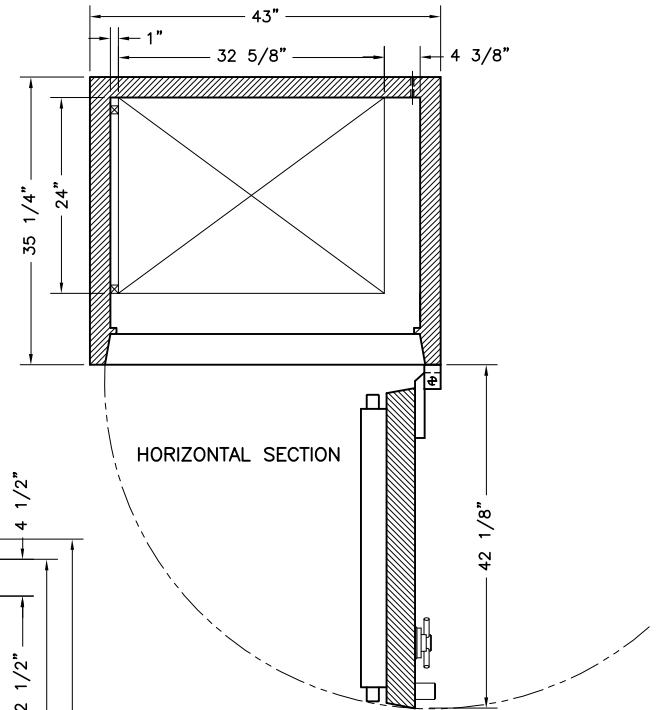
ELEVATION
(WITH MAIN DOOR OMITTED)

SDB DESCRIPTION (PC1109)

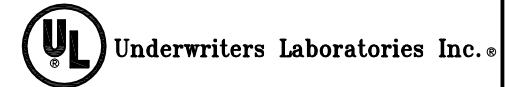
- 1 BOX-42
- 1 BOX-30
- 1 BOX-24



VERTICAL SECTION



HORIZONTAL SECTION



TOOL-RESISTANT SAFE
TL-30 #7238-26
w/ SDB.

2	30 06 10	REDRAWN w/ NEW TL30 CERTIF.	RM
1	09 01 05	MODIF. ON ALARM PKG.	RM
NO	DATE	REVISION	BY

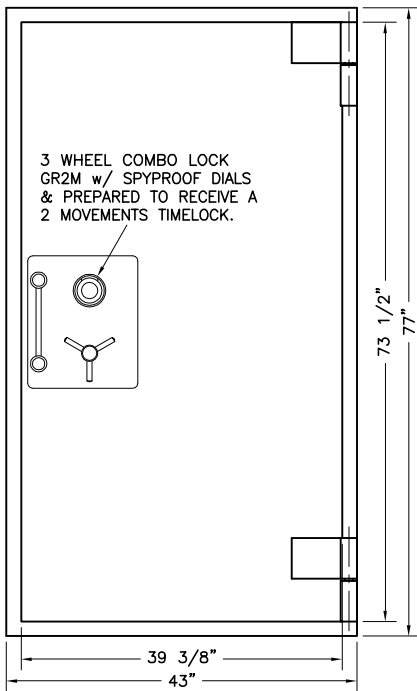
DRAWING NO	DRAWN BY	DATE
PC 1166 R2	RM	17 11 04

APPROX. TOTAL WEIGHT (TL-30) = 5870 lbs.

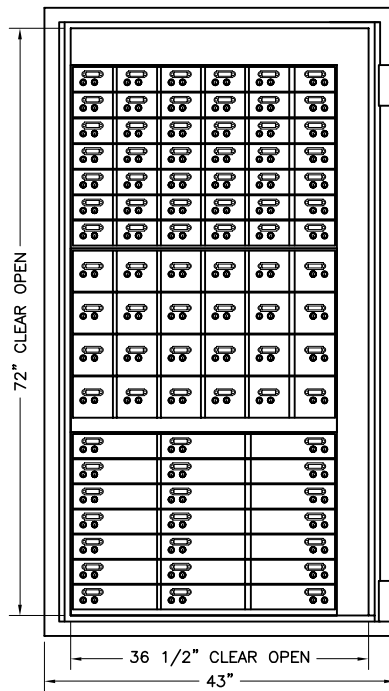
ALARM PACKAGE- ONE HEAT DETECTOR.
ONE DOOR CONTACT.

OPTIONAL VIBRATION DETECTOR #DV-1201.

OPTIONAL 2 MOVEMENTS TIMELOCK STD OR RESET.



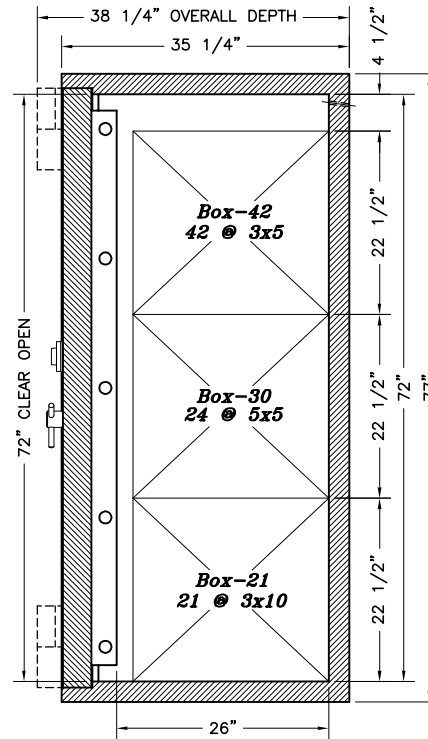
ELEVATION



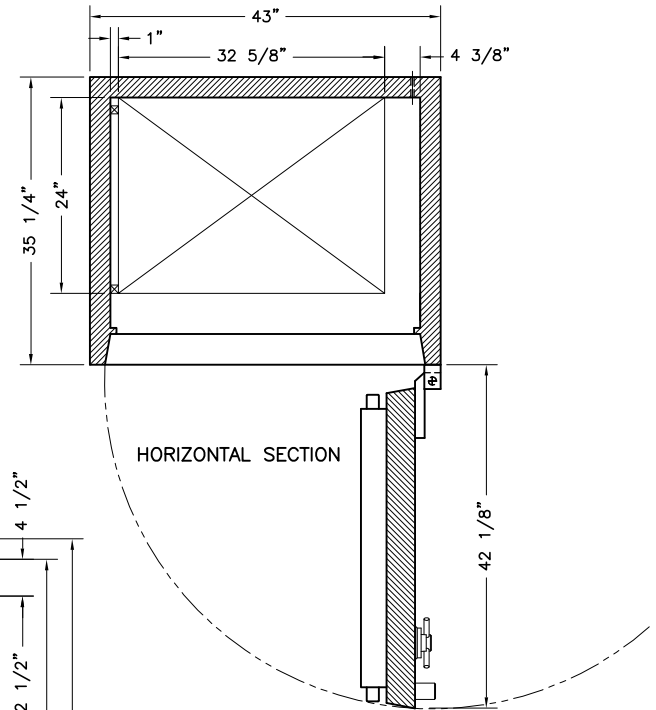
ELEVATION
(WITH MAIN DOOR OMITTED)

SDB DESCRIPTION (PC1109)

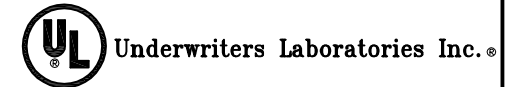
- 1 BOX-42
- 1 BOX-24
- 1 BOX-21



VERTICAL SECTION



HORIZONTAL SECTION



TOOL-RESISTANT SAFE
TL-30 #7238-26
w/ SDB.

2	30 06 10	REDRAWN w/ NEW TL30 CERTIF.	RM
1	09 01 05	MODIF. ON ALARM PKG.	RM
NO	DATE	REVISION	BY

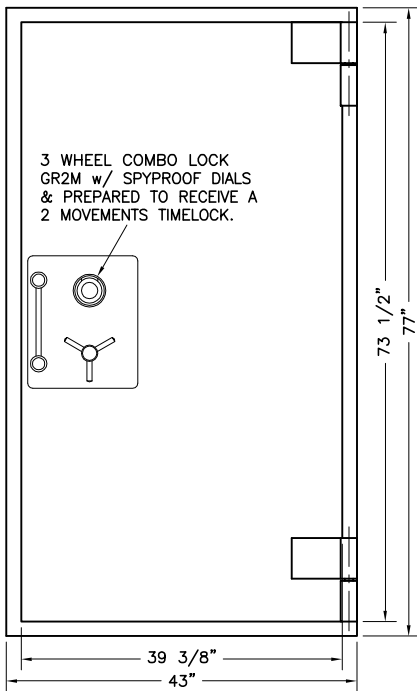
DRAWING NO	DRAWN BY	DATE
PC 1167 R2	RM	17 11 04

APPROX. TOTAL WEIGHT (TL-30) = 5810 lbs.

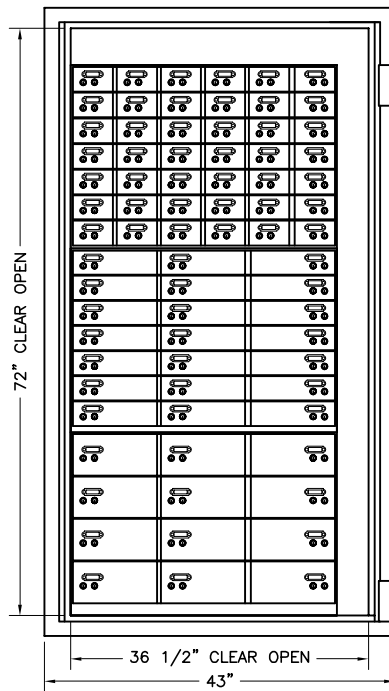
ALARM PACKAGE- ONE HEAT DETECTOR.
ONE DOOR CONTACT.

OPTIONAL VIBRATION DETECTOR #DV-1201.

OPTIONAL 2 MOVEMENTS TIMELOCK STD OR RESET.



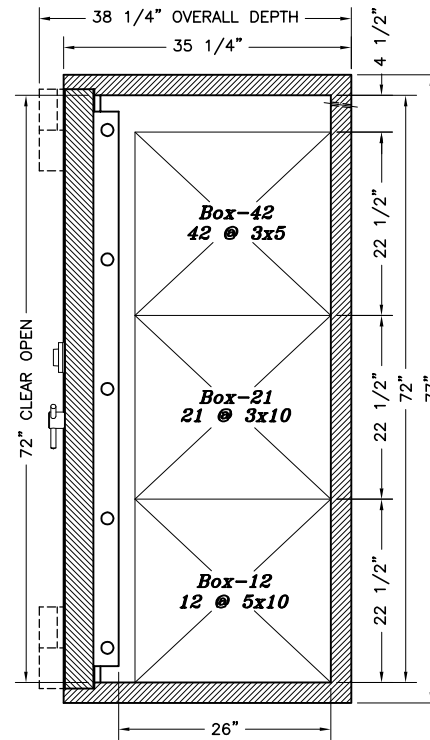
ELEVATION



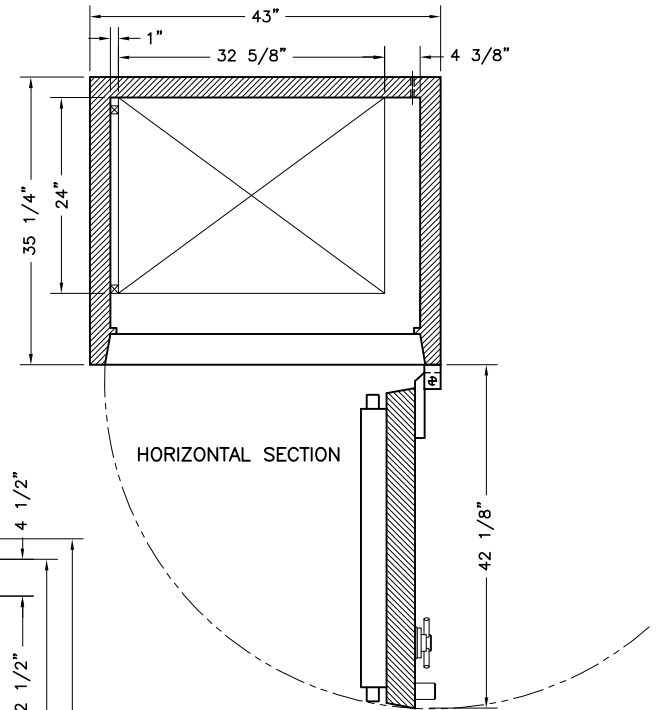
ELEVATION
(WITH MAIN DOOR OMITTED)

SDB DESCRIPTION (PC1109)

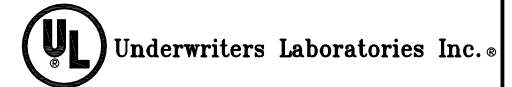
- 1 BOX-42
- 1 BOX-21
- 1 BOX-12



VERTICAL SECTION



HORIZONTAL SECTION



TOOL-RESISTANT SAFE
TL-30 #7238-26
w/ SDB.

2	30 06 10	REDRAWN w/ NEW TL30 CERTIF.	RM
1	09 01 05	MODIF. ON ALARM PKG.	RM
NO	DATE	REVISION	BY

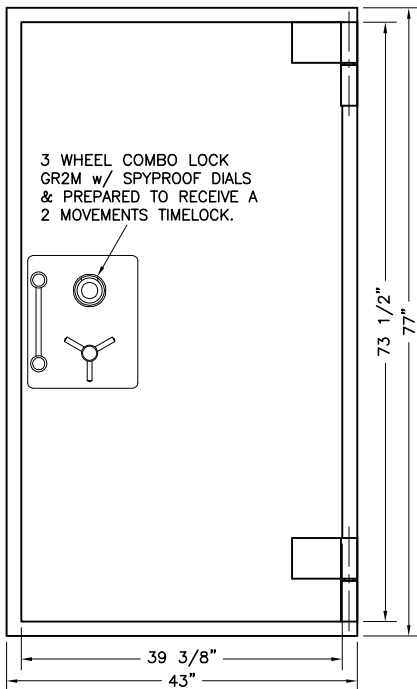
DRAWING NO	DRAWN BY	DATE
PC 1168 R2	RM	17 11 04

APPROX. TOTAL WEIGHT (TL-30) = 5695 lbs.

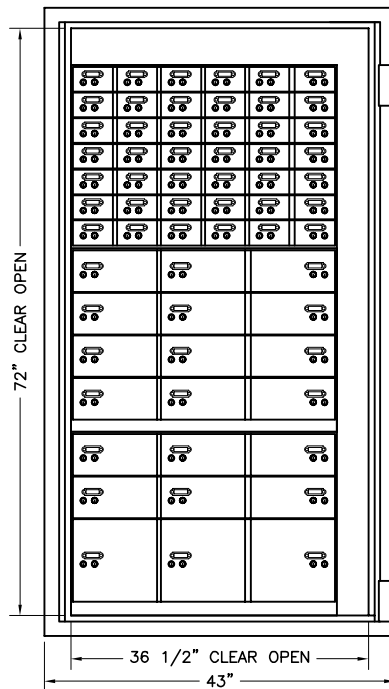
ALARM PACKAGE- ONE HEAT DETECTOR.
ONE DOOR CONTACT.

OPTIONAL VIBRATION DETECTOR #DV-1201.

OPTIONAL 2 MOVEMENTS TIMELOCK STD OR RESET.



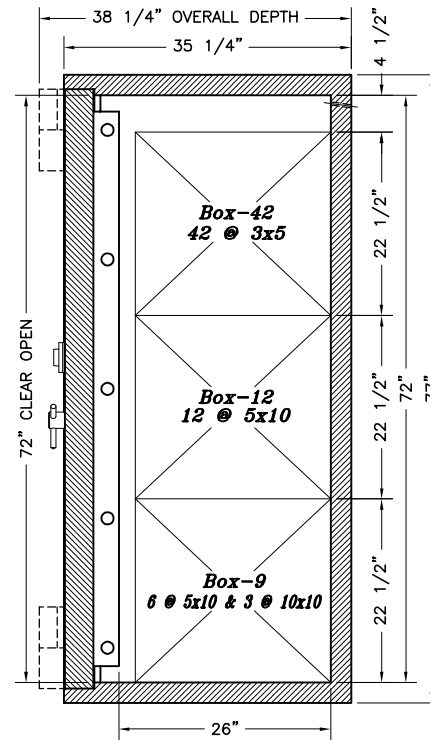
ELEVATION



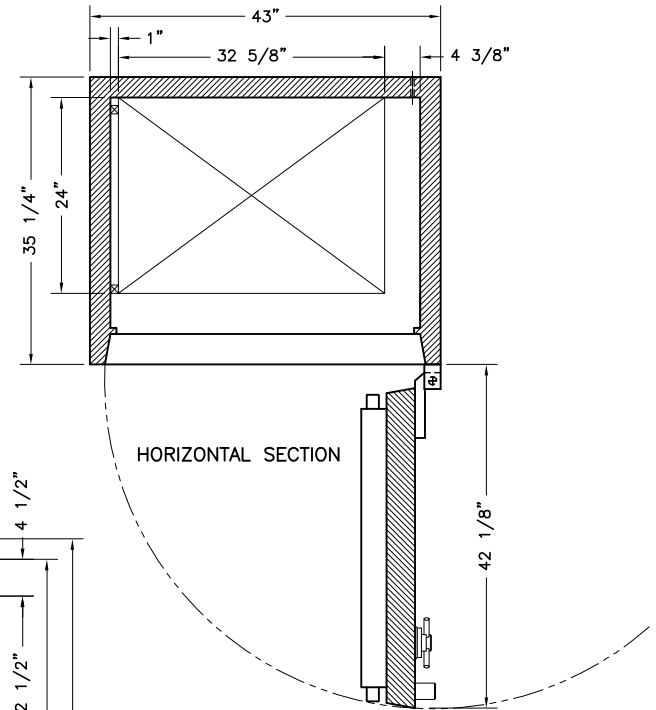
ELEVATION
(WITH MAIN DOOR OMITTED)

SDB DESCRIPTION (PC1109)

- 1 BOX-42
- 1 BOX-12
- 1 BOX-9



VERTICAL SECTION



HORIZONTAL SECTION



TOOL-RESISTANT SAFE
TL-30 #7238-26
w/ SDB.

2	30 06 10	REDRAWN w/ NEW TL30 CERTIF.	RM
1	09 01 05	MODIF. ON ALARM PKG.	RM
NO	DATE	REVISION	BY

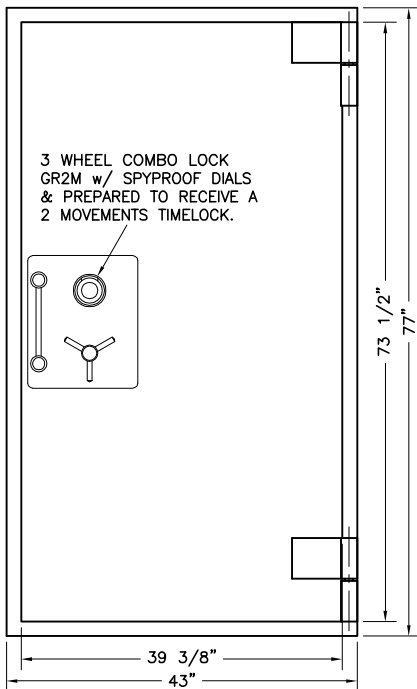
DRAWING NO	DRAWN BY	DATE
PC 1169 R2	RM	17 11 04

APPROX. TOTAL WEIGHT (TL-30) = 5645 lbs.

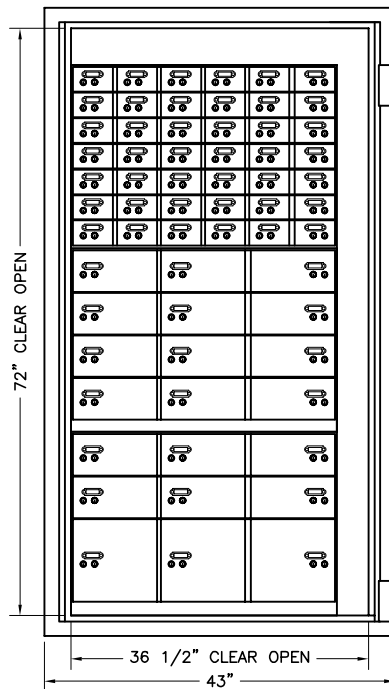
ALARM PACKAGE- ONE HEAT DETECTOR.
ONE DOOR CONTACT.

OPTIONAL VIBRATION DETECTOR #DV-1201.

OPTIONAL 2 MOVEMENTS TIMELOCK STD OR RESET.



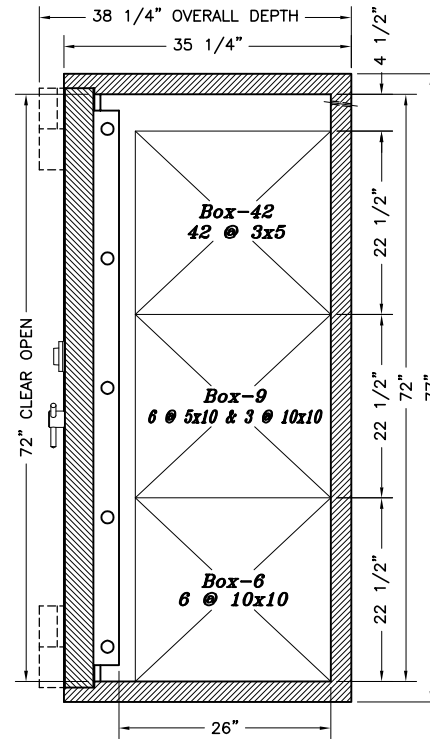
ELEVATION



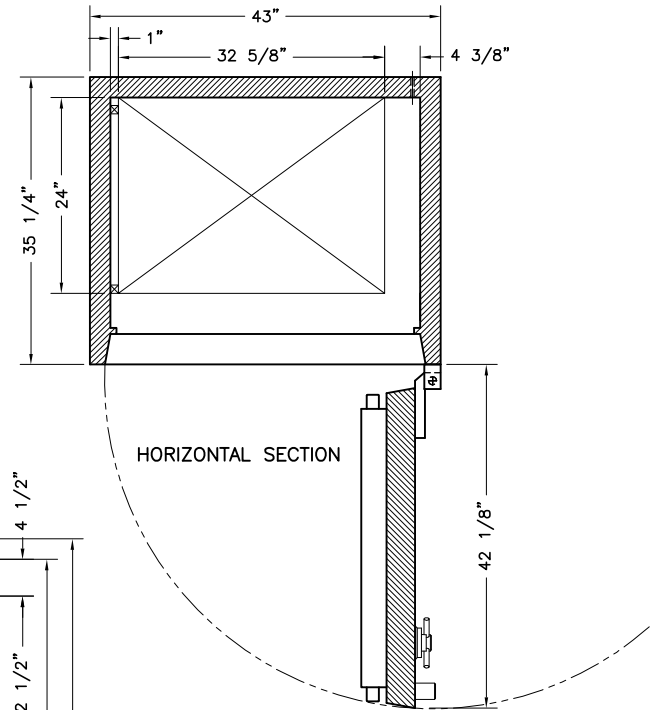
ELEVATION
(WITH MAIN DOOR OMITTED)

SDB DESCRIPTION (PC1109)

- 1 BOX-42
- 1 BOX-9
- 1 BOX-6



VERTICAL SECTION



HORIZONTAL SECTION



TOOL-RESISTANT SAFE
TL-30 #7238-26
w/ SDB.

2	30 06 10	REDRAWN w/ NEW TL30 CERTIF.	RM
1	09 01 05	MODIF. ON ALARM PKG.	RM
NO	DATE	REVISION	BY

DRAWING NO	DRAWN BY	DATE
PC 1170 R2	RM	17 11 04

TL-15 TOOL-RESISTANT PLATE SAFE

CONSTRUCTION

BODY AND DOOR 1" STEEL PLATE.

MECHANISM

-MECHANISM WITH 1"Ø MASSIVE STAINLESS STEEL LOCKING BOLTS AND 2 AUTOMATIC RELOCKING SYSTEMS.

-LOCK PROTECTED BY A 3/8" TH. HARD PLATE & LARGE ARMOR GLASS.

-S&G GR2M 3 WHEEL COMBO LOCK.

OPTIONS

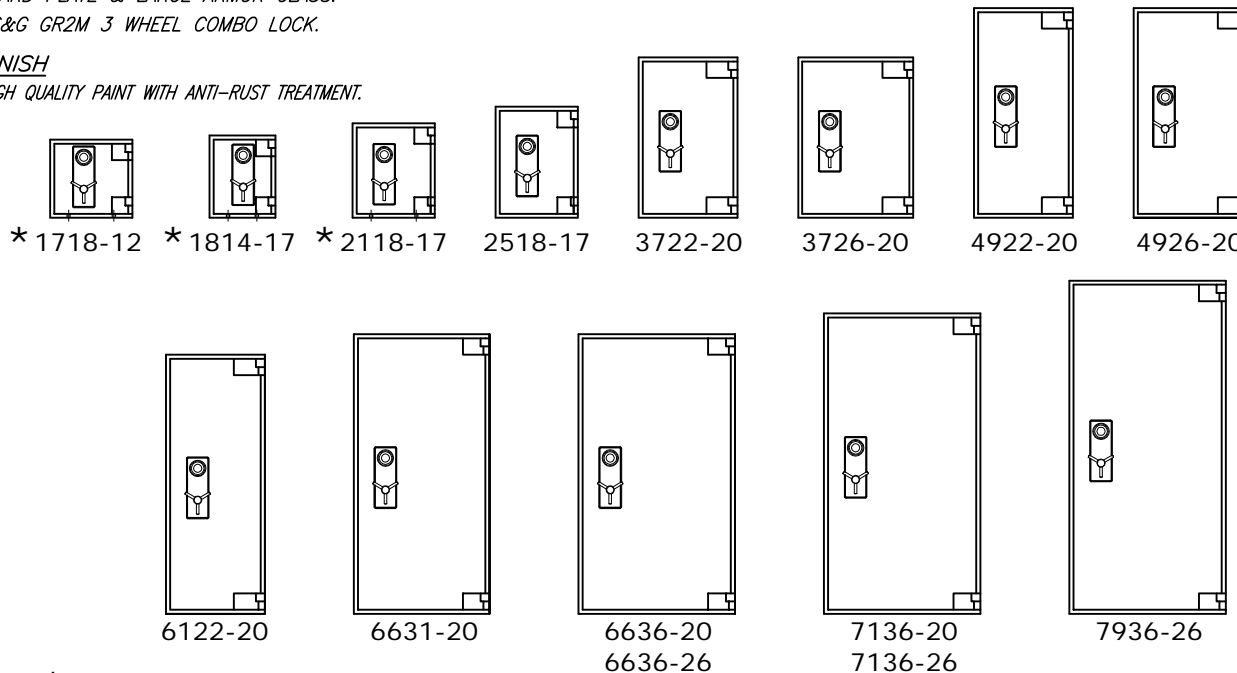
-INTERIOR COMPARTMENTS.

-ELECTRONIC LOCK.

-2 ANCHOR HOLES 3/4"Ø, OPTIONAL ON MODEL PS-J251817 & UP STANDARD ON MODELS PS-J171812 & PS-J181417 & PS-J211817.

FINISH

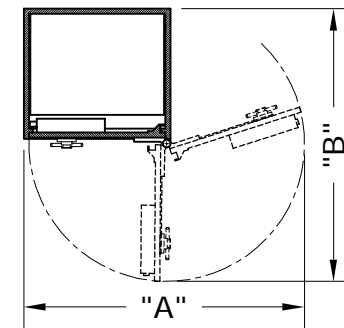
HIGH QUALITY PAINT WITH ANTI-RUST TREATMENT.



* Must be anchored to the floor.

MODELS	INSIDE DIMENSIONS			OUTSIDE DIMENSIONS			CLEAR OPEN		OVERALL DEPTH	Cubic ft. Capacity	WEIGHT	SHELVES QTY.
	HEIGHT	WIDTH	DEPTH	HEIGHT	WIDTH	DEPTH	HEIGHT	WIDTH				
*PS-J171812-L15	17"	18"	12"	19"	20"	16 3/4"	16 1/2"	16 1/2"	18 3/4"	2.13	535 lbs	1
*PS-J181417-L15	18"	14"	16 1/2"	20"	16"	21 3/4"	17 1/2"	12 1/2"	23 3/4"	2.41	565 lbs	1
*PS-J211817-L15	21"	18"	16 1/2"	23"	20"	21 3/4"	20 1/2"	16 1/2"	23 3/4"	3.72	715 lbs	2
PS-J251817-L15	25"	18"	16 1/2"	27"	20"	21 3/4"	24 1/2"	16 1/2"	23 3/4"	4.30	810 lbs	2
PS-J372220-L15	37"	22"	20"	39"	24"	24 3/4"	36 1/2"	20 1/2"	26 3/4"	9.42	1325 lbs	3
PS-J372620-L15	37"	26"	20"	39"	28"	24 3/4"	36 1/2"	24 1/2"	26 3/4"	11.13	1470 lbs	3
PS-J492220-L15	49"	22"	20"	51"	24"	24 3/4"	48 1/2"	20 1/2"	26 3/4"	12.48	1645 lbs	4
PS-J492620-L15	49"	26"	20"	51"	28"	24 3/4"	48 1/2"	24 1/2"	26 3/4"	14.75	1812 lbs	4
PS-J612220-L15	61"	22"	20"	63"	24"	24 3/4"	60 1/2"	20 1/2"	26 3/4"	15.53	1965 lbs	5
PS-J663120-L15	66"	31"	20"	68"	33"	24 3/4"	65 1/2"	29 1/2"	26 3/4"	23.68	2565 lbs	5
PS-J663626-L15	66"	36"	26"	68"	38"	30 3/4"	65 1/2"	34 1/2"	32 3/4"	35.75	3175 lbs	5
PS-J713626-L15	71"	36"	26"	73"	38"	30 3/4"	70 1/2"	34 1/2"	32 3/4"	38.46	3365 lbs	6

MODELS	DOOR SWING	
	"A"	"B"
PS-J171812-L15	38"	36"
PS-J181417-L15	30"	36 1/2"
PS-J211817-L15	38"	40 1/2"
PS-J251817-L15	38"	40 1/2"
PS-J372220-L15	45 1/2"	48"
PS-J372620-L15	53 1/2"	52"
PS-J492220-L15	45 1/2"	48"
PS-J492620-L15	53 1/2"	52"
PS-J612220-L15	45 1/2"	48"
PS-J663120-L15	63 1/2"	57"
PS-J663626-L15	73 1/2"	68"
PS-J713626-L15	73 1/2"	68"



SECURIFORT
INC



Underwriters Laboratories Inc.®
Listed

**TOOL-RESISTANT
TL-15 PLATE SAFE**

DATE			DRAWN BY	DRAWING NO
15	07	09	RM	PS-L15

TL-30 TOOL-RESISTANT PLATE SAFE

CONSTRUCTION

DOOR 1 1/2" HIGH TENSILE STEEL PLATE.
BODY 1" STEEL PLATE.

MECHANISM

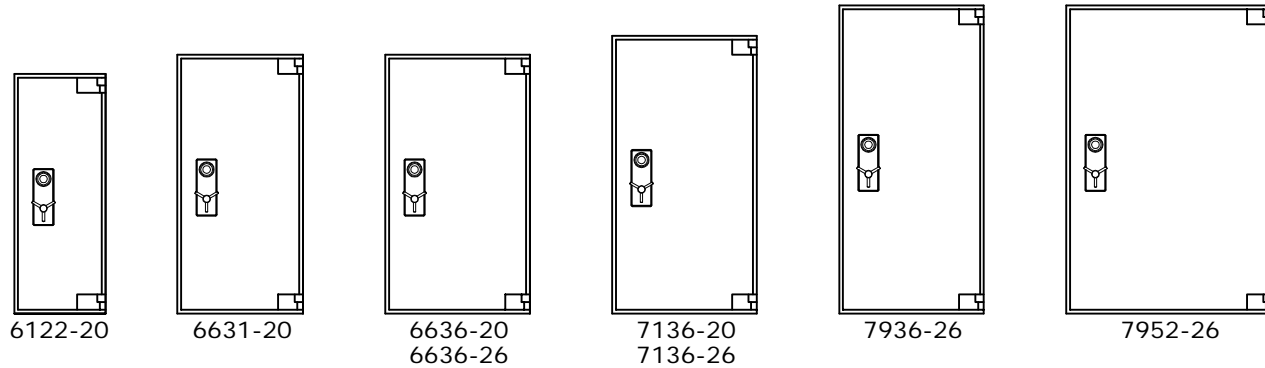
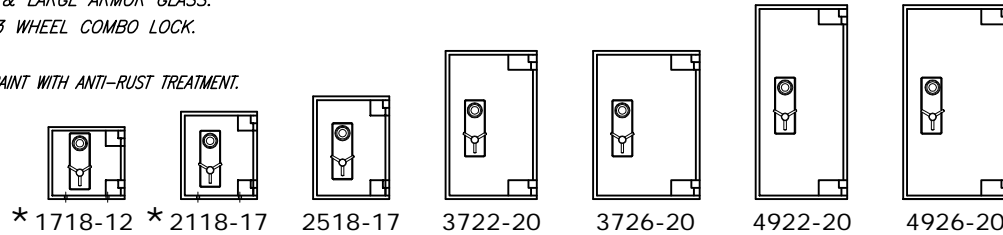
-MECHANISM WITH 1 1/2" Ø MASSIVE STAINLESS STEEL LOCKING BOLTS AND 2 AUTOMATIC RELOCKING SYSTEMS.
-LOCK PROTECTED BY A 3/8" TH. HARD PLATE & LARGE ARMOR GLASS.
-S&G GR2M 3 WHEEL COMBO LOCK.

FINISH

HIGH QUALITY PAINT WITH ANTI-RUST TREATMENT.

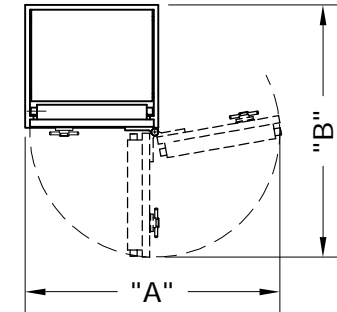
OPTIONS

-INTERIOR COMPARTMENTS.
-ELECTRONIC LOCK.
-2 ANCHOR HOLES 3/4" Ø, OPTIONAL ON MODEL PS-J251817 & UP STANDARD ON MODELS PS-J171812 & PS-J211817.



* Must be anchored to the floor.

MODELS	DOOR SWING	
	"A"	"B"
PS-J171812-L30	38"	37"
PS-J211817-L30	38"	41 1/2"
PS-J251817-L30	38"	41 1/2"
PS-J372220-L30	45 1/2"	49"
PS-J372620-L30	53 1/2"	53"
PS-J492220-L30	45 1/2"	49"
PS-J492620-L30	53 1/2"	53"
PS-J612220-L30	45 1/2"	49"
PS-J663120-L30	73 1/2"	63"
PS-J663620-L30	73 1/2"	69"
PS-J663626-L30	73 1/2"	69"
PS-J713620-L30	73 1/2"	63"
PS-J713626-L30	73 1/2"	69"
PS-J793626-L30	73 1/2"	69"
PS-J795226-L30	105 1/2"	85"

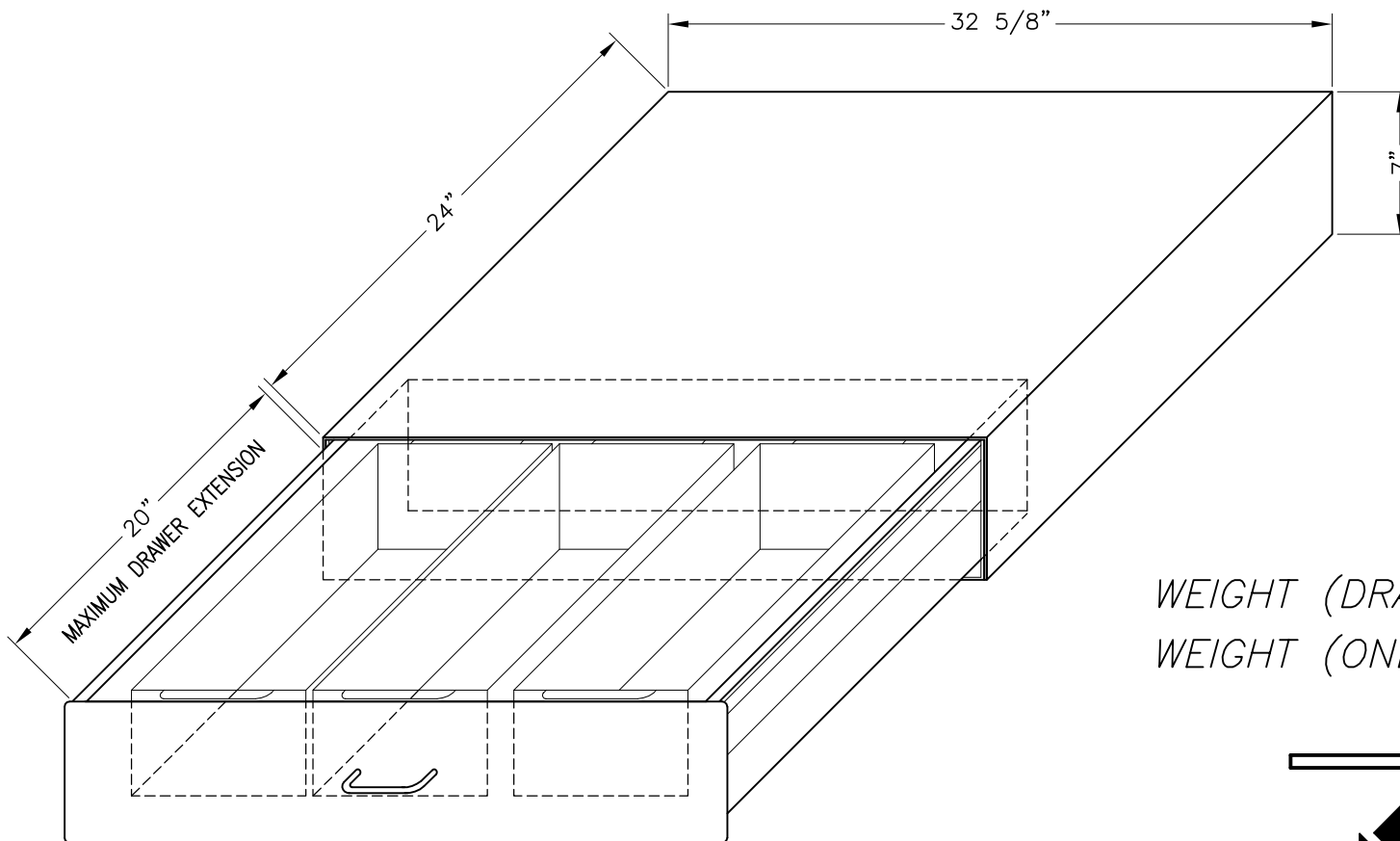


MODELS	INSIDE DIMENSIONS			OUTSIDE DIMENSIONS			CLEAR OPEN		OVERALL DEPTH	Cubic ft. Capacity	WEIGHT	SHELVES QTY.
	HEIGHT	WIDTH	DEPTH	HEIGHT	WIDTH	DEPTH	HEIGHT	WIDTH				
*PS-J171812-L30	17"	18"	12"	19"	20"	17 3/4"	16 1/2"	16 1/2"	19 3/4"	2.13	590 lbs	1
*PS-J211817-L30	21"	18"	16 1/2"	23"	20"	22 1/4"	20 1/2"	16 1/2"	24 1/4"	3.60	780 lbs	2
PS-J251817-L30	25"	18"	16 1/2"	27"	20"	22 1/4"	24 1/2"	16 1/2"	24 1/4"	4.30	890 lbs	2
PS-J372220-L30	37"	22"	20"	39"	24"	25 3/4"	36 1/2"	20 1/2"	27 3/4"	9.42	1460 lbs	3
PS-J372620-L30	37"	26"	20"	39"	28"	25 3/4"	36 1/2"	24 1/2"	27 3/4"	11.13	1625 lbs	3
PS-J492220-L30	49"	22"	20"	51"	24"	25 3/4"	48 1/2"	20 1/2"	27 3/4"	12.48	1820 lbs	4
PS-J492620-L30	49"	26"	20"	51"	28"	25 3/4"	48 1/2"	24 1/2"	27 3/4"	14.75	2015 lbs	4
PS-J612220-L30	61"	22"	20"	63"	24"	25 3/4"	60 1/2"	20 1/2"	27 3/4"	15.53	2180 lbs	5
PS-J663120-L30	66"	31"	20"	68"	33"	25 3/4"	65 1/2"	29 1/2"	27 3/4"	23.68	2885 lbs	5
PS-J663620-L30	66"	36"	20"	68"	38"	25 3/4"	65 1/2"	34 1/2"	27 3/4"	27.50	3185 lbs	5
PS-J663626-L30	66"	36"	26"	68"	38"	31 3/4"	65 1/2"	34 1/2"	33 3/4"	35.75	3545 lbs	5
PS-J713620-L30	71"	36"	20"	73"	38"	25 3/4"	70 1/2"	34 1/2"	27 3/4"	29.58	3390 lbs	6
PS-J713626-L30	71"	36"	26"	73"	38"	31 3/4"	70 1/2"	34 1/2"	33 3/4"	38.46	3775 lbs	6
PS-J793626-L30	79"	36"	26"	81"	38"	31 3/4"	78 1/2"	34 1/2"	33 3/4"	42.79	4120 lbs	6
PS-J795226-L30	79"	52"	26"	81"	54"	31 3/4"	78 1/2"	50 1/2"	33 3/4"	61.81	5300 lbs	6

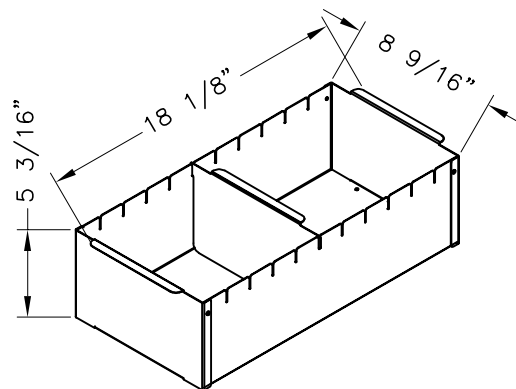


**TOOL-RESISTANT
TL-30 PLATE SAFE**

DATE	DRAWN BY	DRAWING NO.
20 07 09	CV	PS-L30



WEIGHT (DRAWER ONLY): 115 lbs.
 WEIGHT (ONE CARD TRAY): 8 lbs.



Card Tray

AC-CAT-050918 (#PC 876)

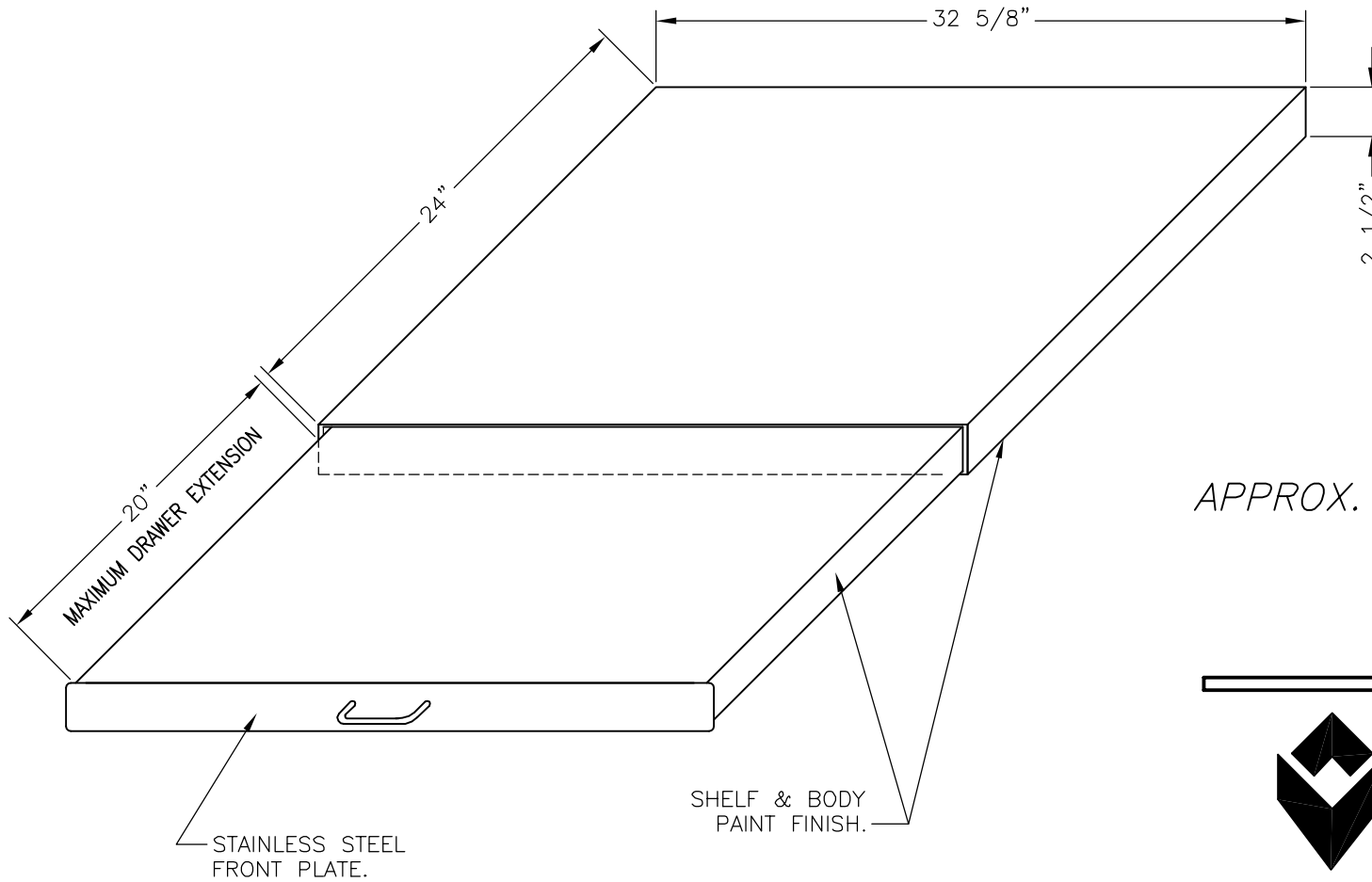


SECURIFORT
INC

TITLE

DRAWER

DATE			DRAWN BY	DRAWING NO
11	06	02	RM	PC 763 R1
ITEM NO				
AC-SLD-073324				



APPROX. WEIGHT: 80 lbs.

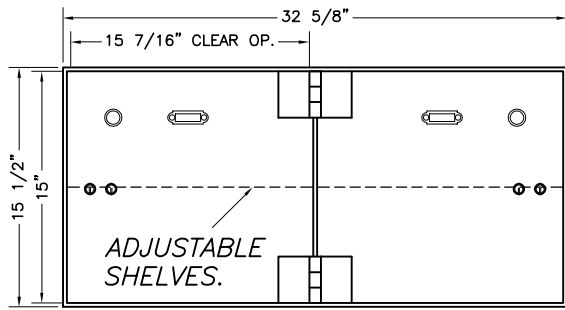


SECURIFORT
INC

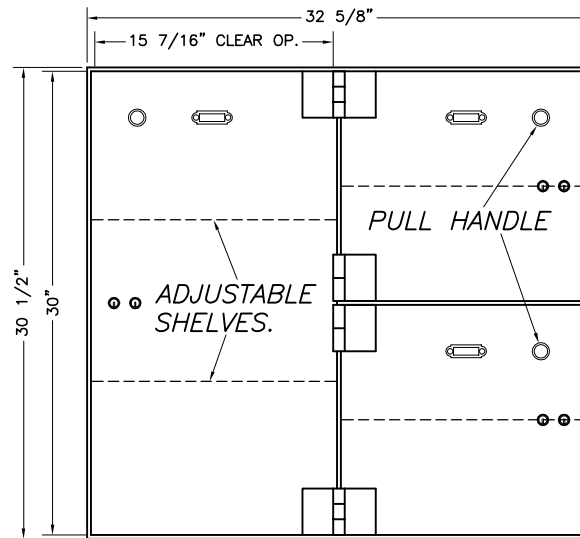
TITLE

PULL OUT SHELF

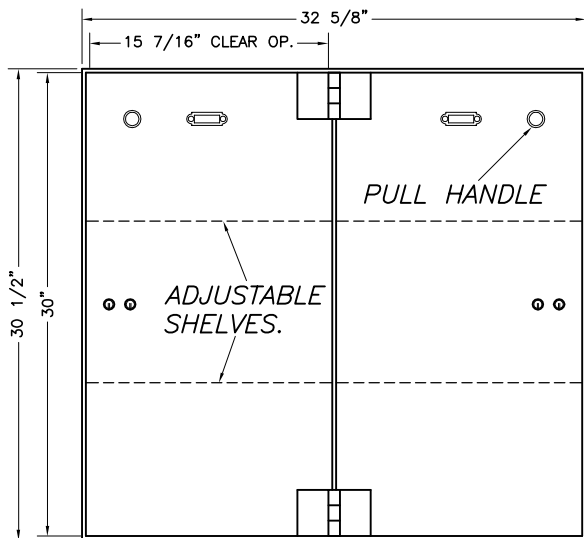
DRAWING NO	DRAWN BY	DATE		
PB 104	RM	14	06	05



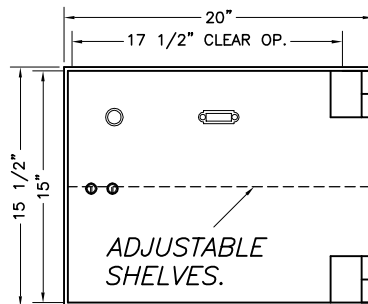
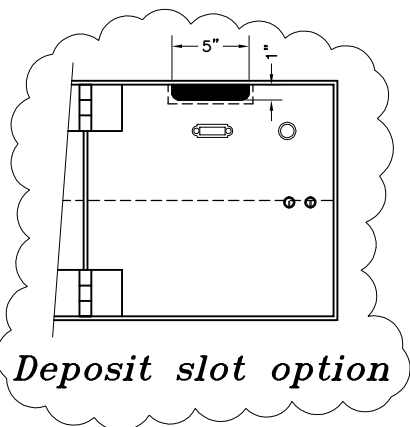
Model LTL2



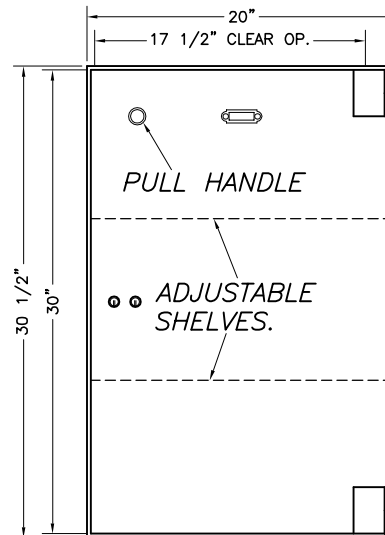
Model WTL3



Model WTL2



Model STL1



Model LTL1

CONSTRUCTION

- BODY & DIVIDER 1/4" TH. STEEL.
- DOORS 1/2" TH. STEEL.
- HEAVY DUTY HINGE w/ SELF LUBRICANT BUSHING.
- KEY LOCK #4420 S&G STANDARD.
- PAINTED FINISH.
- BULK LOCKER CLEAR OPENING HIGH X 15 7/16" W. X 22 1/4" D..

- WEIGHT Model #STL1 = 190 lbs.
 #LTL1 = 315 lbs.
 #LTL2 = 305 lbs.
 #WTL2 = 500 lbs.
 #WTL3 = 530 lbs.

OPTIONS

- 3 WHEEL COMBO LOCK.
- 3 WHEEL COMBO LOCK WITH KEYLOCKING DIAL.
- DIGITAL LOCK LAGARD, S&G or MILLENIUM.
- DEPOSIT SLOT 1" X 5" w/ ANTI-FISHING.

NOTE= STANDARD DEPTH 24".

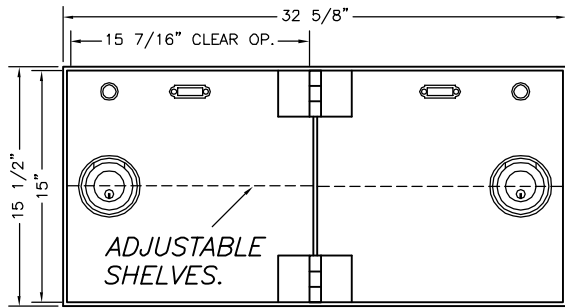


**SECURIFORT
INC**

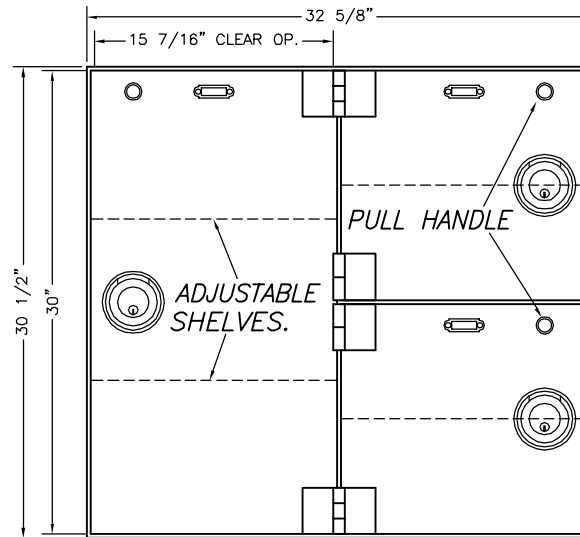
TITLE

BULK LOCKERS

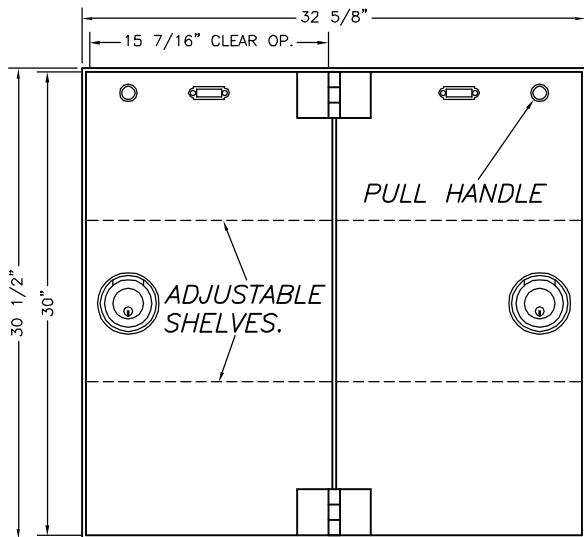
DRAWING NO	DRAWN BY	DATE		
PC 1104	RM	17	06	04



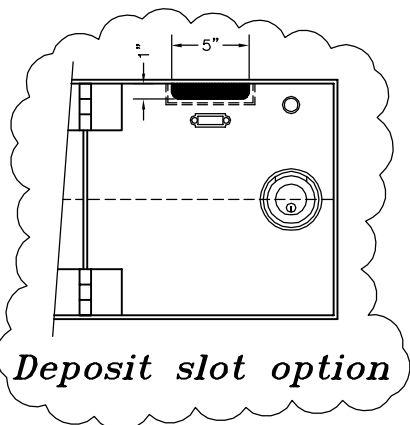
Model LTL2



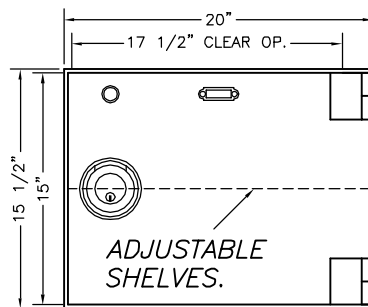
Model WTL3



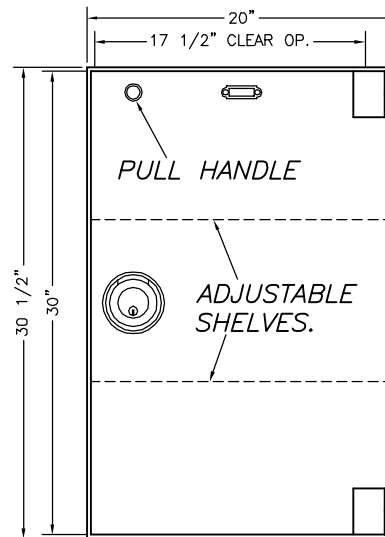
Model WTL2



Deposit slot option



Model STL1



Model LTL1

CONSTRUCTION

- BODY & DIVIDER 1/4" TH. STEEL.
- DOORS 1/2" TH. STEEL.
- HEAVY DUTY HINGE w/ SELF LUBRICANT BUSHING.
- 3 WHEEL COMBO LOCK WITH KEYLOCKING DIAL STANDARD ON EACH DOOR.
- PAINTED FINISH.
- BULK LOCKER CLEAR OPENING HIGH X 15 7/16" W. X 22 1/4" D..

- WEIGHT Model #STL1 = 190 lbs.
 #LTL1 = 315 lbs.
 #LTL2 = 305 lbs.
 #WTL2 = 500 lbs.
 #WTL3 = 530 lbs.

OPTIONS

- 3 WHEEL COMBO LOCK.
 - DIGITAL LOCK LAGARD, S&G or MILLENIUM.
 - DEPOSIT SLOT 1" X 5" w/ ANTI-FISHING.
 - KEY LOCK #4420 S&G SEE DWG #PC1124.
- NOTE= STANDARD DEPTH 24".

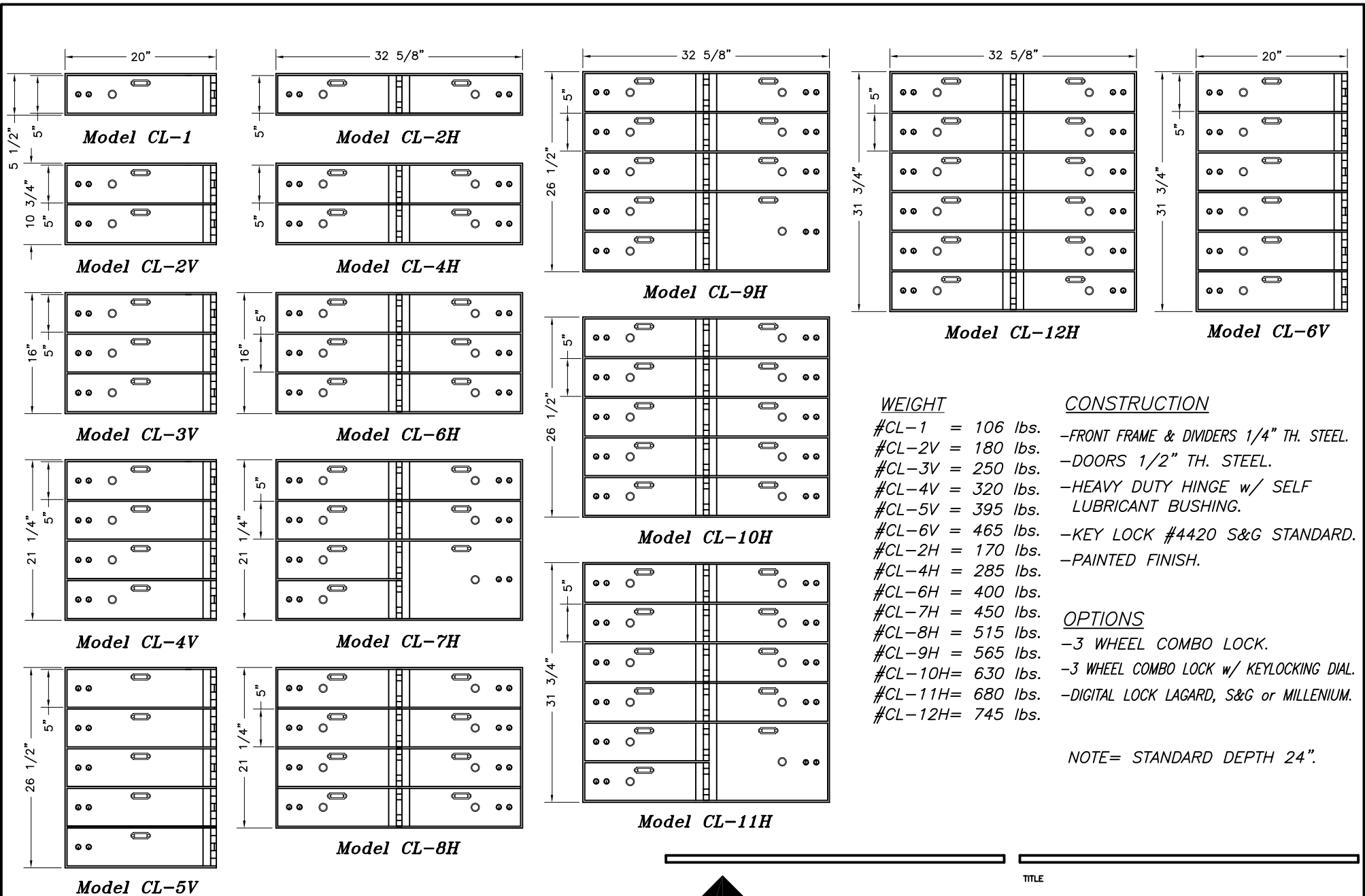


**SECURIFORT
INC**

TITLE

BULK LOCKERS

DRAWING NO	DRAWN BY	DATE		
PC 1104D	RM	17	06	04



WEIGHT

- #CL-1 = 106 lbs.
- #CL-2V = 180 lbs.
- #CL-3V = 250 lbs.
- #CL-4V = 320 lbs.
- #CL-5V = 395 lbs.
- #CL-6V = 465 lbs.
- #CL-2H = 170 lbs.
- #CL-4H = 285 lbs.
- #CL-6H = 400 lbs.
- #CL-7H = 450 lbs.
- #CL-8H = 515 lbs.
- #CL-9H = 565 lbs.
- #CL-10H = 630 lbs.
- #CL-11H = 680 lbs.
- #CL-12H = 745 lbs.

CONSTRUCTION

- FRONT FRAME & DIVIDERS 1/4" TH. STEEL.
- DOORS 1/2" TH. STEEL.
- HEAVY DUTY HINGE w/ SELF LUBRICANT BUSHING.
- KEY LOCK #4420 S&G STANDARD.
- PAINTED FINISH.

OPTIONS

- 3 WHEEL COMBO LOCK.
- 3 WHEEL COMBO LOCK w/ KEYLOCKING DIAL.
- DIGITAL LOCK LAGARD, S&G or MILLENIUM.

NOTE= STANDARD DEPTH 24".

1	17 05 05	MODIF ON CONSTRUC DETAILS.	RM
	NO	DATE	REVISION
			BY

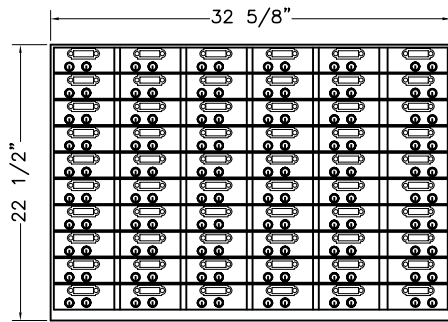


SECURIFORT
INC

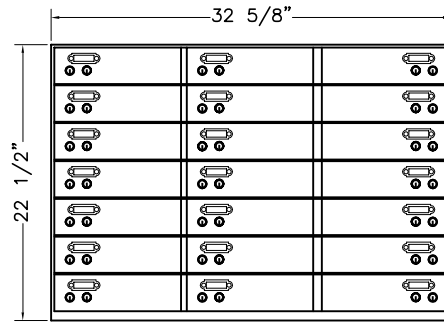
TITLE

TELLER LOCKERS

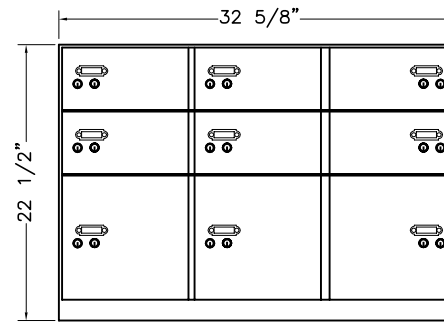
DRAWING NO	DRAWN BY	DATE
PC 1105	RM	21 06 04



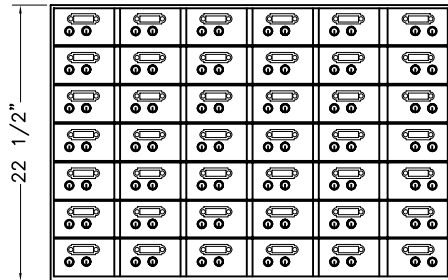
Box-60
60 @ 2x5



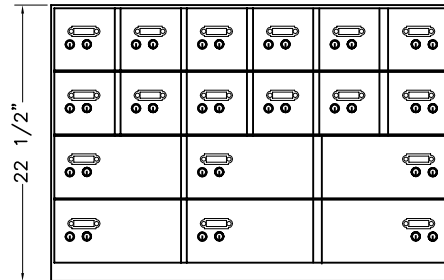
Box-21
21 @ 3x10



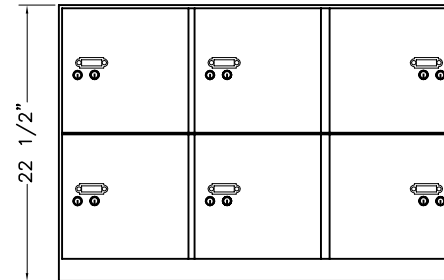
Box-9
6 @ 5x10 & 3 @ 10x10



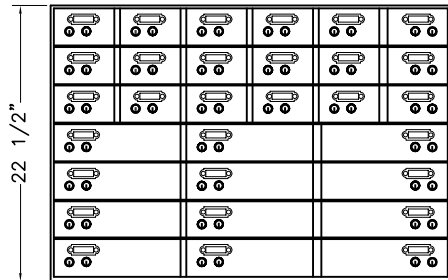
Box-42
42 @ 3x5



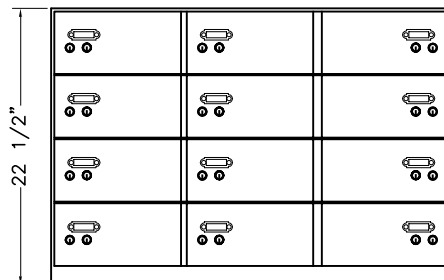
Box-18
12 @ 5x5 & 6 @ 5x10



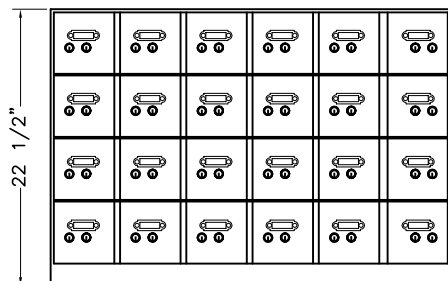
Box-6
6 @ 10x10



Box-30
18 @ 3x5 & 12 @ 3x10



Box-12
12 @ 5x10



Box-24
24 @ 5x5

- WEIGHT Model**
- #Box-60 = 675 lbs.
 - #Box-42 = 600 lbs.
 - #Box-30 = 560 lbs.
 - #Box-24 = 520 lbs.
 - #Box-21 = 550 lbs.
 - #Box-18 = 490 lbs.
 - #Box-12 = 460 lbs.
 - #Box-9 = 435 lbs.
 - #Box-6 = 410 lbs.

CONSTRUCTION

- BODY 1/4" TH. STEEL.
- DOORS 1/2" TH. STEEL.
- KEY LOCK #4420 S&G STANDARD.
- STEEL BOND BOXES.
- PAINTED FINISH.

	22 06 04	PC1109 REPLACES PC833.	RM
NO	DATE	REVISION	BY

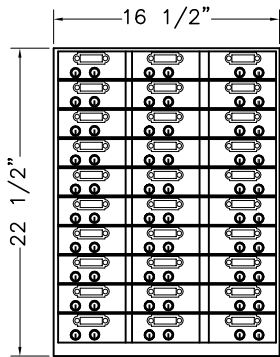
NOTE= STANDARD DEPTH 24"



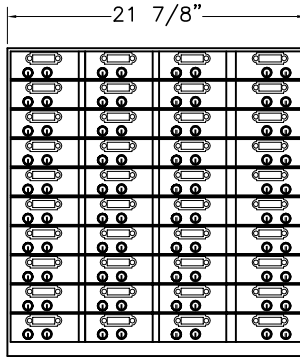
SECURIFORT
INC

TITLE
SAFE DEPOSIT BOXES

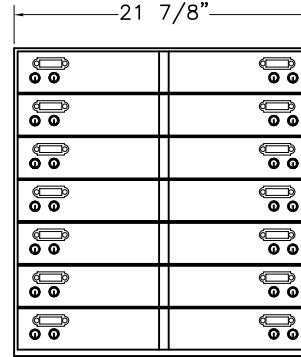
DRAWING NO	DRAWN BY	DATE
PC 1109	RM	22 06 04



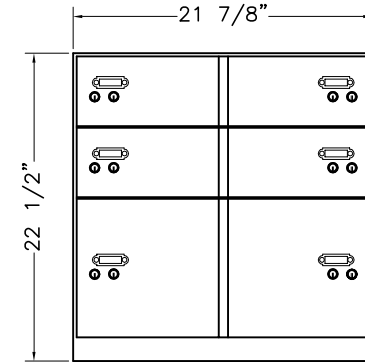
Box-30T
30 @ 2x5



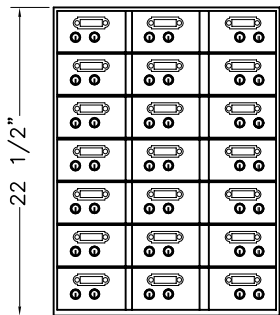
Box-40T
40 @ 2x5



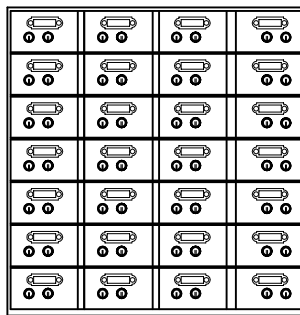
Box-14T
14 @ 3x10



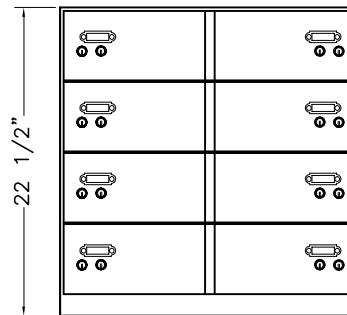
Box-6T
4 @ 5x10 & 2 @ 10x10



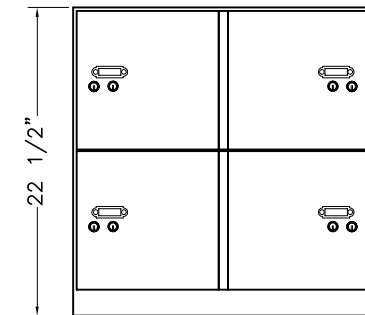
Box-21T
21 @ 3x5



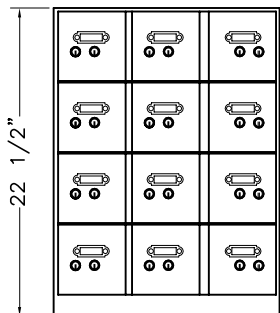
Box-28T
28 @ 3x5



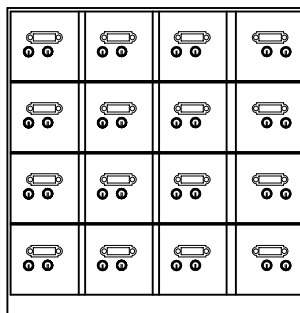
Box-8T
8 @ 5x10



Box-4T
4 @ 10x10



Box-12T
12 @ 5x5



Box-16T
16 @ 5x5

- WEIGHT Model #**
- Box-30T = 360 lbs.
 - Box-21T = 335 lbs.
 - Box-12T = 290 lbs.
 - Box-40T = 460 lbs.
 - Box-28T = 430 lbs.
 - Box-16T = 345 lbs.
 - Box-14T = 385 lbs.
 - Box-8T = 325 lbs.
 - Box-6T = 305 lbs.
 - Box-4T = 290 lbs.

NOTE= STANDARD DEPTH 24".



CONSTRUCTION

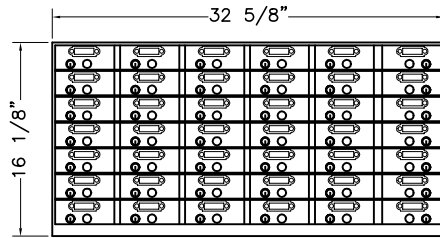
- BODY 1/4" TH. STEEL.
- DOORS 1/2" TH. STEEL.
- KEY LOCK #4420 S&G STANDARD.
- STEEL BOND BOXES.
- PAINTED FINISH.

TITLE

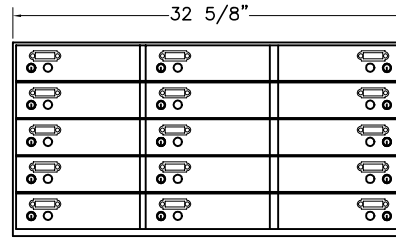
T SERIES BOXES

1	29 11 02	PC1110 REPLACES PC687R1	RM
	NO	DATE	REVISION
			BY

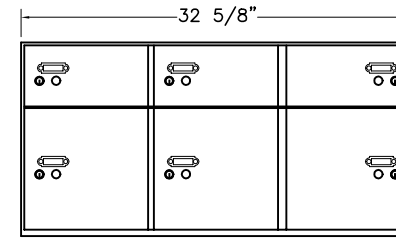
DRAWING NO	DRAWN BY	DATE
PC 1110	RM	22 06 04



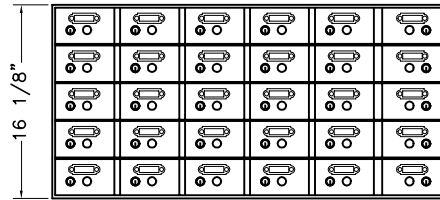
Box-42
42 @ 2x5



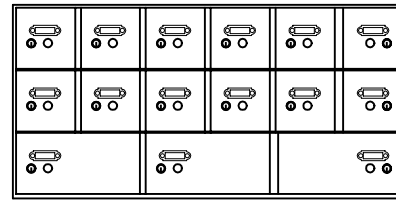
Box-15
3" x 10" Openings



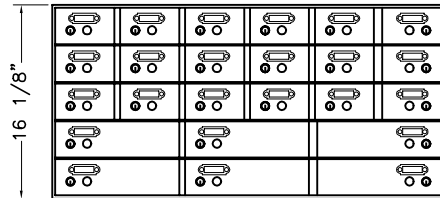
Box-6
3 @ 5x10 & 3 @ 10x10



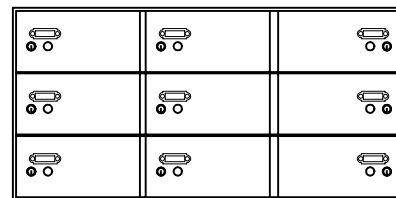
Box-30
30 @ 3x5



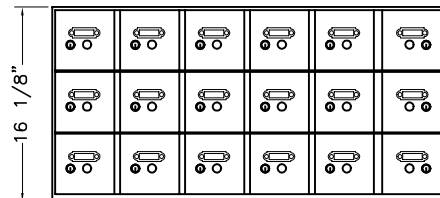
Box-15L
12 @ 5x5 & 3 @ 5x10



Box-24
18 @ 3x5 & 6 @ 3x10



Box-9
9 @ 5x10



Box-18
18 @ 5x5

WEIGHT Model #Box-42 = 500 lbs.
 #Box-30 = 455 lbs.
 #Box-24 = 435 lbs.
 #Box-18 = 400 lbs.
 #Box-15 = 410 lbs.
 #Box-15L = 385 lbs.
 #Box-9 = 355 lbs.
 #Box-6 = 345 lbs.

CONSTRUCTION

- BODY 1/4" TH. STEEL.
- DOORS 1/2" TH. STEEL.
- KEY LOCK #4420 S&G WITHOUT PREP SECTION (RENTER'S KEYS ONLY).
- STEEL BOND BOXES.
- PAINTED FINISH.

NOTE= STANDARD DEPTH 24"



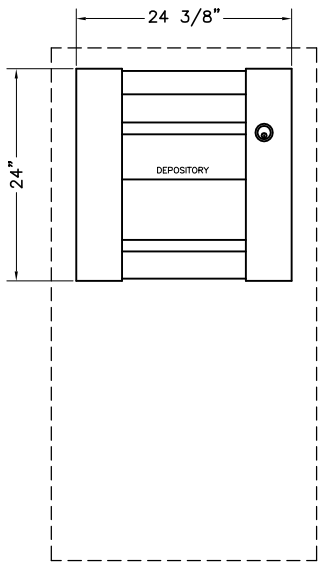
SECURIFORT
INC

TITLE

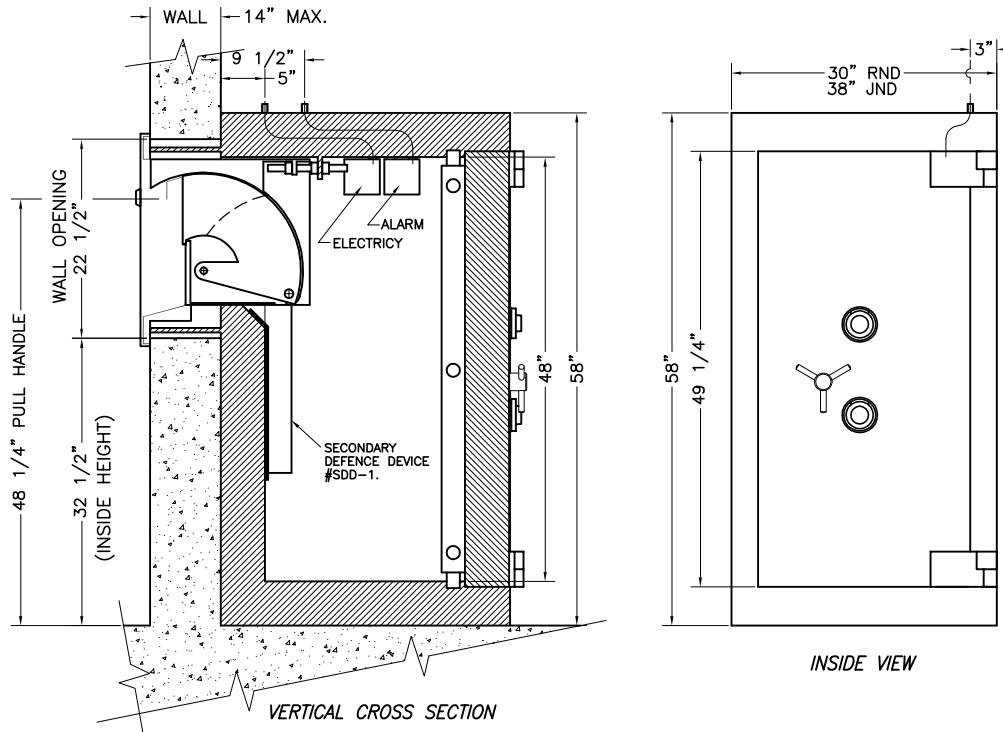
**SAFE DEPOSIT BOXES
SINGLE CUSTODY.**

1	23 06 04	PC1111 REPLACES PC838.	RM
NO	DATE	REVISION	BY

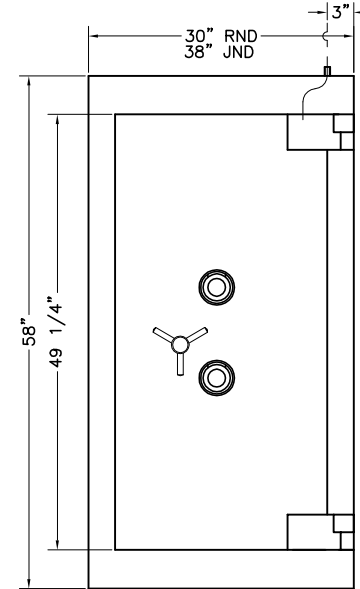
DRAWING NO	DRAWN BY	DATE
PC 1111	RM	23 06 04



OUTSIDE FASCIA



VERTICAL CROSS SECTION



INSIDE VIEW

NIGHT DEPOSITORY MODELS RND-C1 or C2
JND-C1 or C2

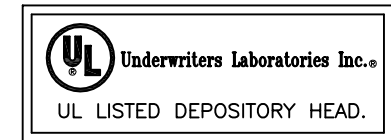
CHARACTERISTICS

- Unit for wallet deposits.
- The large capacity bag deposit compartment is exposed only when the required key has operated the lock in the depository frame.
- Anti-fishing device.
- Exterior fascia with stainless steel finish.
- Outside lighting system.
- The door and walls of receiving chest are 5" thick, steel & alloy.
- Door of receiving chest is equipped with 2-4 wheel combination locks GR2M with spyproof dial.
- Contacts for installation of alarm hook-up.
- Additional alarm protection on fascia.
- ULC listed night depository head, (see DWG #PB-451).

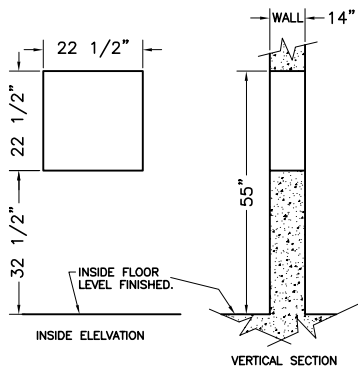
OPTIONAL EQUIPMENT

- △ Pre-wiring two circuits for alarm system to protect body and door of the receiving chest.
- 2 or 3 movements timelock.
- Clearing safe #CSTR (see DWG #PB-500).
- Wallets & envelopes functions.
- Customer engraving on outside fascia.
- 2-4 wheel combination lock (indirect drive).
- Head trap #SDD-1, (see DWG #PB-482).
- Extra head keys.

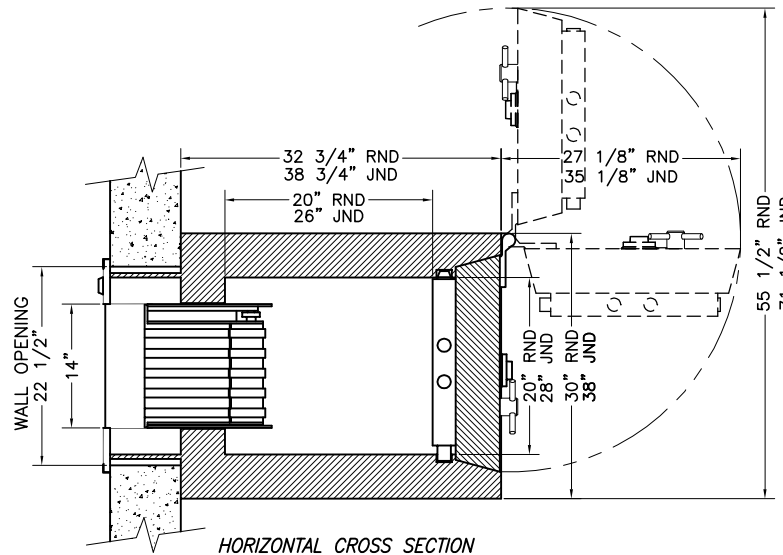
5	07 06 05	DOOR SWING WAS MODIFIED.	RM
4	30 08 01	DOOR SWING ADDED	RM
3	30 08 01	2 locks GR2M was 2-4 wheel	RM
2	07 04 99	ADD. (PRE WIRING) OPT. EQU.	RM
1	26 05 97	TXT ADDED	RM
NO	DATE	REVISION	BY



MODELS	weight C1	weight C2	Cubic Capacity
RND 50 head keys	3900 lbs.	4200 lbs.	11.1
JND 100 head keys	5260 lbs.	5500 lbs.	20.2



WALL OPENING



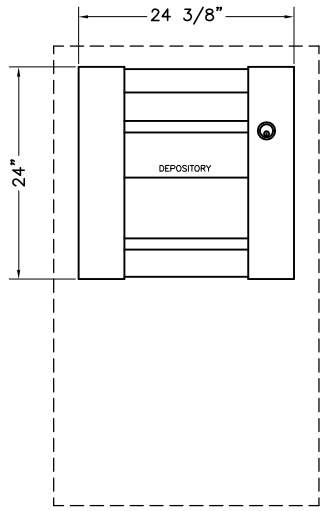
HORIZONTAL CROSS SECTION

6 SIDED TORCH & TOOL PROTECTION.

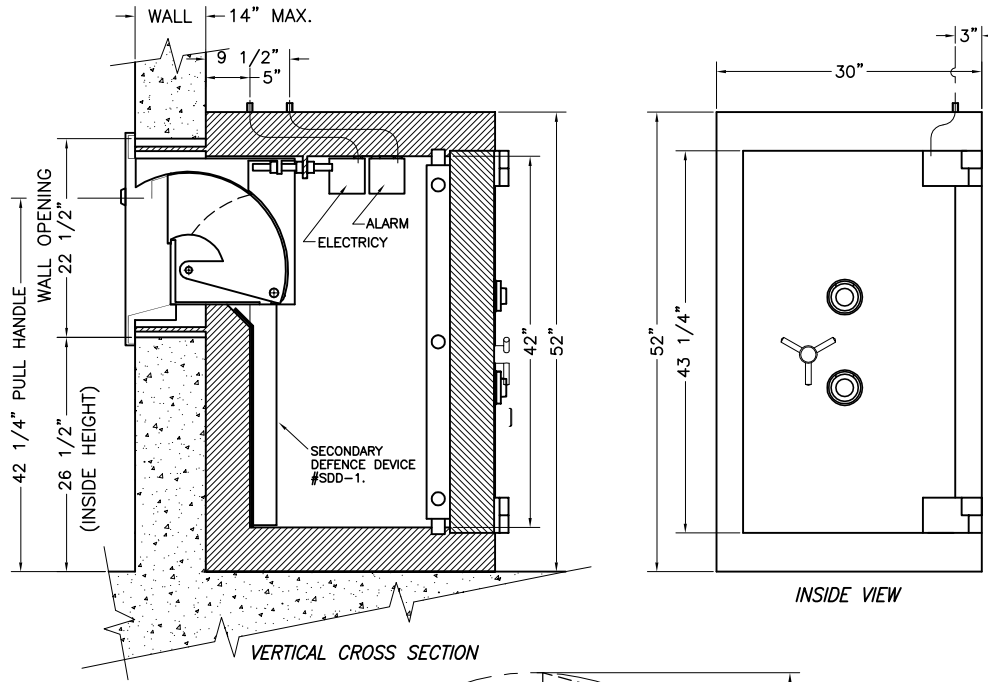


CLASS C1 (15 min.)
CLASS C2 (30 min.)

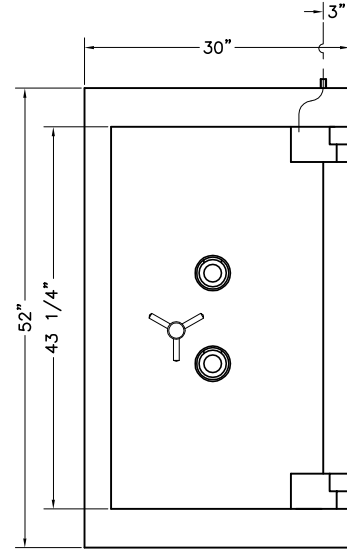
		TITLE NIGHT DEPOSITORY	
		APPLICATION ULC #S330-93. CLASS C1 & C2.	
DATE 18 02 97	DRAWN BY RM	APP ED BY	SCALE 3/32 = 1
PART NO	DRAWING NO PB 525		



OUTSIDE FASCIA



VERTICAL CROSS SECTION



INSIDE VIEW

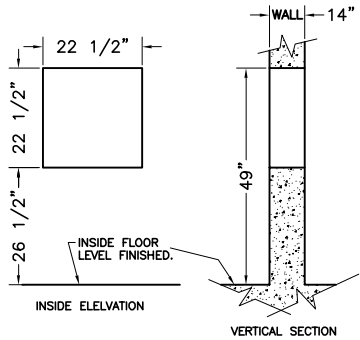
NIGHT DEPOSITORY MODELS SND-C1 or C2

CHARACTERISTICS

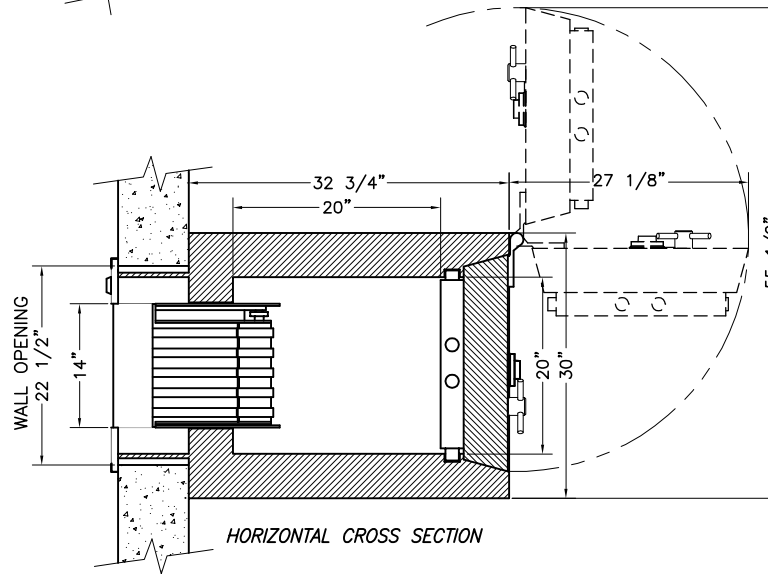
- Unit for wallet deposits.
- The large capacity bag deposit compartment is exposed only when the required key has operated the lock in the depository frame.
- Anti-fishing device.
- Exterior fascia with stainless steel finish.
- Outside lighting system.
- The door and walls of receiving chest are 5" thick, steel & alloy.
- Door of receiving chest is equipped with 2-4 wheel combination locks GR2M with spyproof dial.
- Contacts for installation of alarm hook-up.
- Additional alarm protection on fascia.
- ULC listed night depository head, (see DWG #PB-451).

OPTIONAL EQUIPMENT

- 1 - Pre-wiring two circuits for alarm system to protect body and door of the receiving chest.
- 2 or 3 movements timelock.
- Clearing safe #CSTR (see DWG #PB-500).
- Wallets & envelopes fonctions.
- Customer engraving on outside fascia.
- 2-4 wheel combination lock (indirect drive).
- Head trap #SDD-1, (see DWG #PB-482).
- Extra head keys.

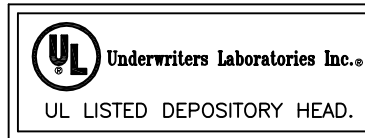


WALL OPENING



HORIZONTAL CROSS SECTION

6 SIDED TORCH & TOOL PROTECTION.



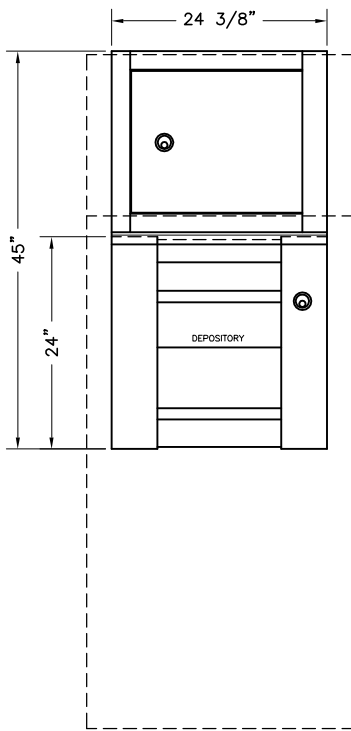
CLASS C1 (15 min.)
CLASS C2 (30 min.)

MODELS	weight C1	weight C2	cubic capacity
SND 25 head keys	3380 lbs.	3580 lbs.	5,9

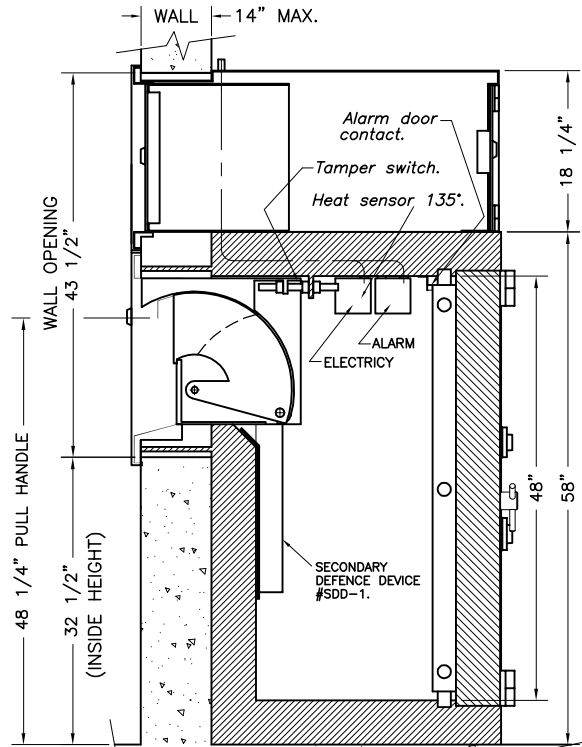
NO	DATE	REVISION	BY
4	08 06 05	DOOR SWING WAS MODIFIED.	RM
3	15 08 01	DOOR SWING ADDED	RM
2	15 08 01	2-3 wheel GR 2M was 2-4 wheel	RM
1	07 04 99	ADD. (PRE WIRING) OPT. EQU.	RM

DATE		DRAWN BY	APP ED BY	SCALE
10	10	97	RM	3/32 = 1
PART NO SND C1 & C2			DRAWING NO PB 549	

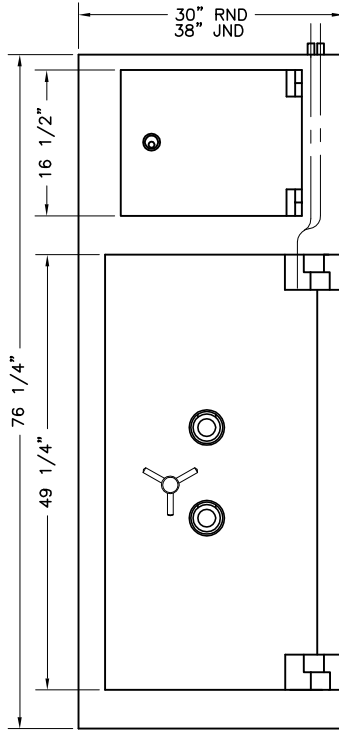
TITLE
NIGHT DEPOSITORY
APPLICATION
ULC #S330-93.
CLASS C1 & C2.



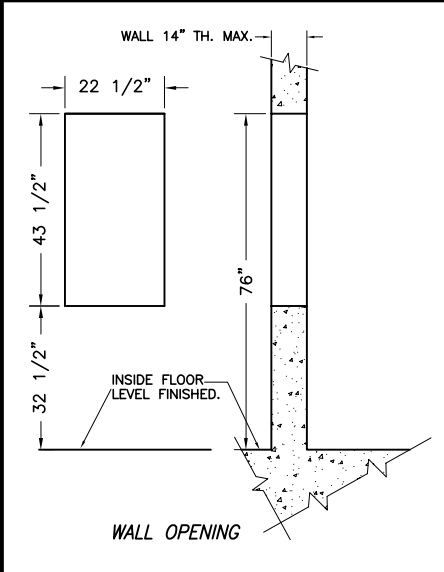
OUTSIDE FASCIA



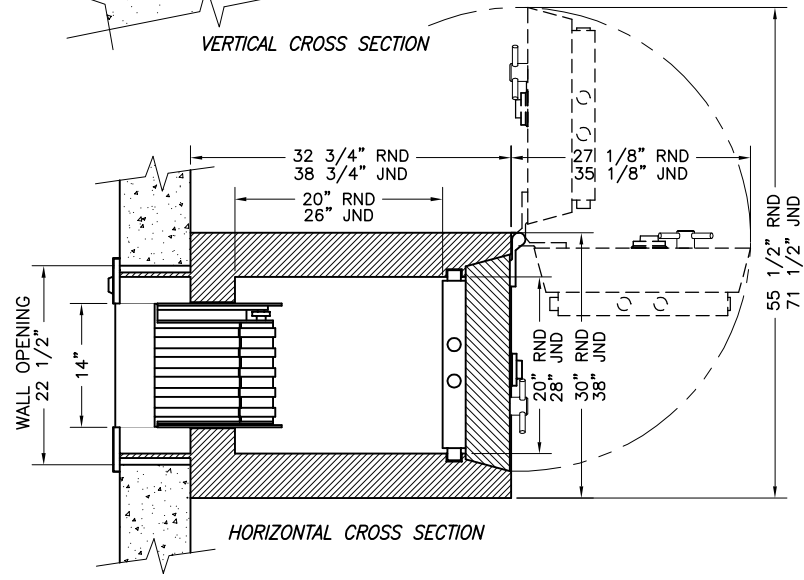
VERTICAL CROSS SECTION



INSIDE VIEW



WALL OPENING



HORIZONTAL CROSS SECTION

NIGHT DEPOSITORY MODELS RND-C1 or C2
JND-C1 or C2
w/ CLEARING SAFE.

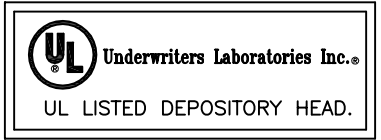
CHARACTERISTICS

- Unit for wallet deposits.
- The large capacity bag deposit compartment is exposed only when the required key has operated the lock in the depository frame.
- Anti-fishing device.
- Exterior fascia with stainless steel finish.
- Outside lighting system.
- The door and walls of receiving chest are 5" thick, steel & alloy.
- Door of receiving chest is equipped with 2-4 wheel combination locks GR2M with spyproof dial.
- Contacts for installation of alarm hook-up.
- Additional alarm protection on fascia.
- ULC listed night depository head, (see DWG #PB-451).

OPTIONAL EQUIPMENT

- Pre-wiring two circuits for alarm system to protect body and door of the receiving chest.
- 2 or 3 movements timelock.
- Wallets & envelopes fonctions.
- Customer engraving on outside fascia.
- 2-4 wheel combination lock (indirect drive).
- Head trap #SDD-1, (see DWG #PB-482).
- Extra head keys.

MODELS	weight C1	weight C2	Cubic Capacity
RND 50 head keys	4100 lbs.	4400 lbs.	11.1
JND 100 head keys	5500 lbs.	5750 lbs.	20.2



NO	DATE	REVISION	BY
4	09 06 05	DOOR SWING WAS MODIFIED.	RM
3	14 08 01	DOOR SWING ADDED	RM
2	14 08 01	2 locks GR2M was 2-4 wheel	RM
1	07 04 99	ADD. (PRE WIRING) OPT. EQU.	RM

SECURIFORT INC.

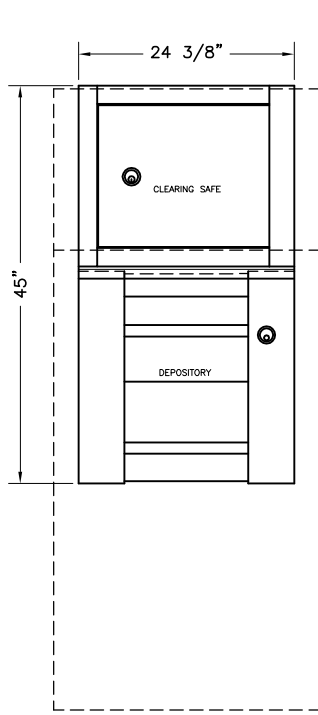
TITLE: NIGHT DEPOSITORY c/w CLEARING SAFE.

APPLICATION: ULC #S330-93. CLASS C1 & C2.

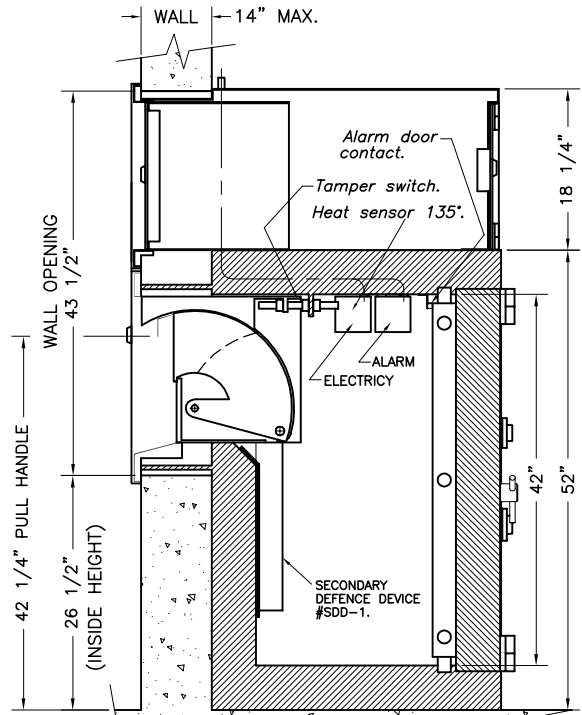
DATE: 24 09 98 DRAWN BY: RM APP ED BY: SCALE: 3/32 = 1

PART NO: DRAWING NO: **PB 592**

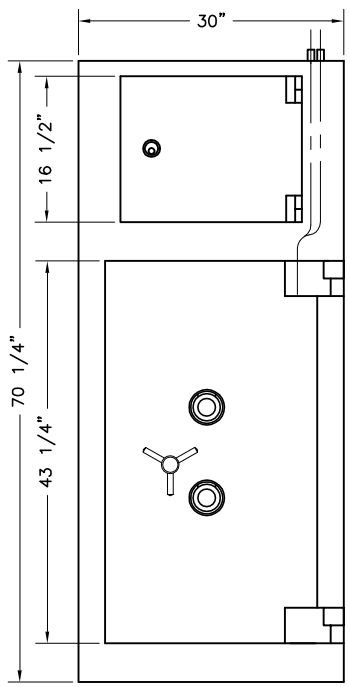
CLASS C1 (15 min.)
CLASS C2 (30 min.)



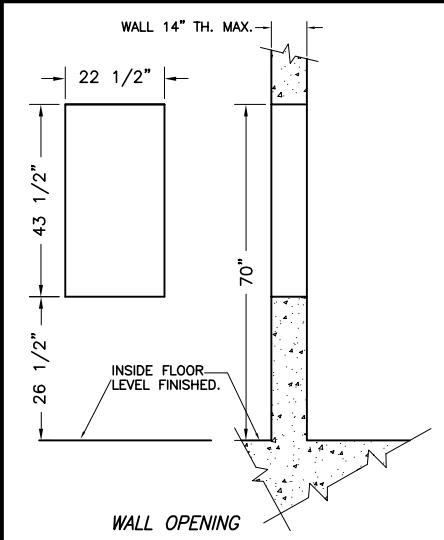
OUTSIDE FASCIA



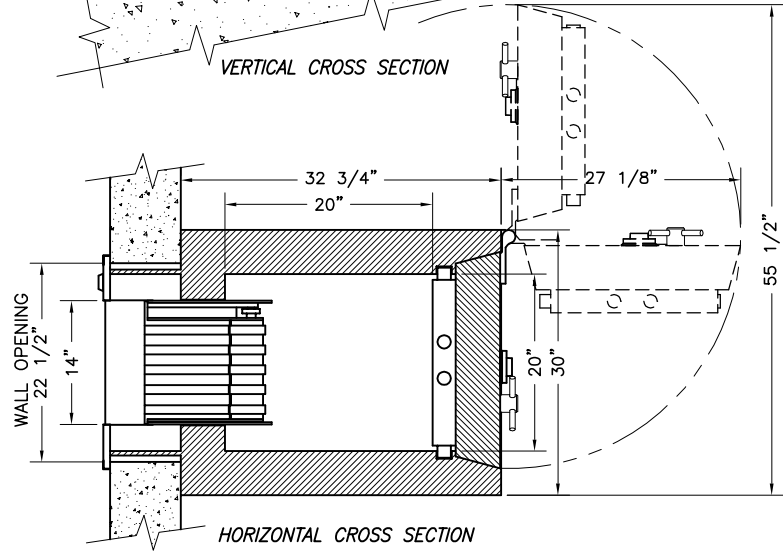
VERTICAL CROSS SECTION



INSIDE VIEW



WALL OPENING



HORIZONTAL CROSS SECTION

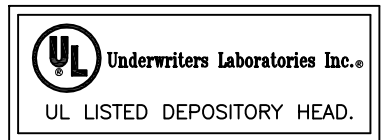
NIGHT DEPOSITORY MODELS SND-C1 or C2 w/ CLEARING SAFE.

CHARACTERISTICS

- Unit for wallet deposits.
- The large capacity bag deposit compartment is exposed only when the required key has operated the lock in the depository frame.
- Anti-fishing device.
- Exterior fascia with stainless steel finish.
- Outside lighting system.
- The door and walls of receiving chest are 5" thick, steel & alloy.
- Door of receiving chest is equipped with 2-4 wheel combination locks GR2M with spyproof dial.
- Contacts for installation of alarm hook-up.
- Additional alarm protection on fascia.
- ULC listed night depository head, (see DWG #PB-451).

OPTIONAL EQUIPMENT

- △ - Pre-wiring two circuits for alarm system to protect body and door of the receiving chest.
- 2 or 3 movements timelock.
- Wallets & envelopes fonctions.
- Customer engraving on outside fascia.
- 2-4 wheel combination lock (indirect drive).
- Head trap #SDD-1, (see DWG #PB-482).
- Extra head keys.



MODELS	weight C1	weight C2	Cubic Capacity
SND 25 head keys	3580 lbs.	3780 lbs.	5,9

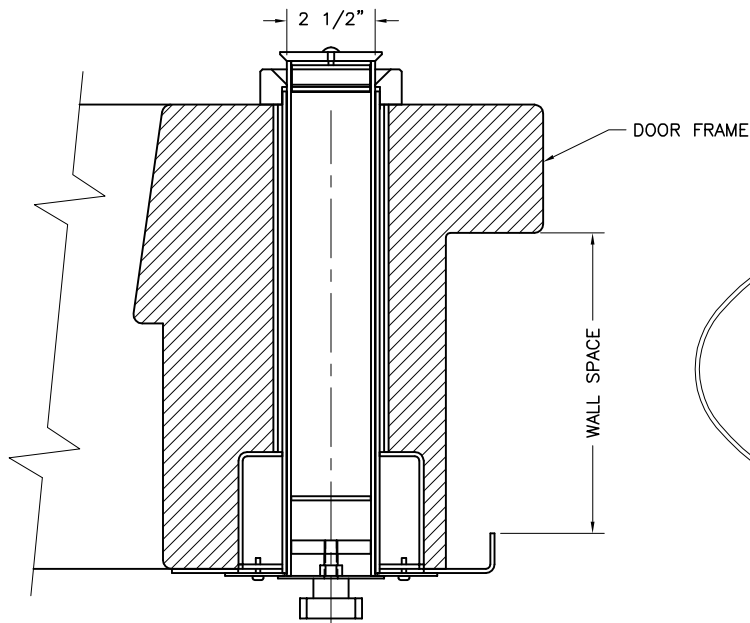
6 SIDED TORCH & TOOL PROTECTION.



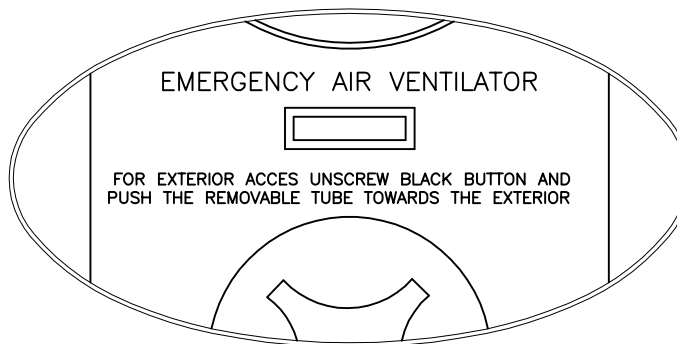
CLASS C1 (15 min.)
CLASS C2 (30 min.)

NO	DATE	REVISION	BY
4	07 06 05	DOOR SWING WAS MODIFIED.	RM
3	30 08 01	DOOR SWING ADDED	RM
2	30 08 01	2 LOCKS GR2M WAS 2-4 WHEEL	RM
1	07 04 99	ADD. (PRE WIRING) OPT. EQU.	RM

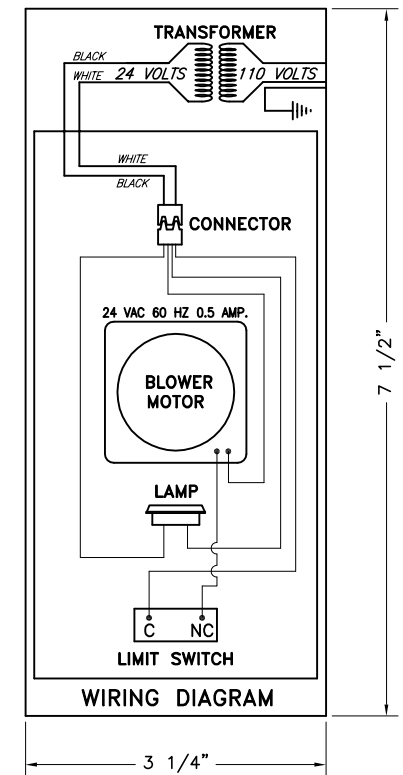
		TITLE NIGHT DEPOSITORY c/w CLEARING SAFE.	
		APPLICATION ULC #S330-93. CLASS C1 & C2.	
DATE	DRAWN BY	APP ED BY	SCALE
28 09 98	R M		3/32 = 1
PART NO	DRAWING NO		
SND C1 & C2	PB 593		



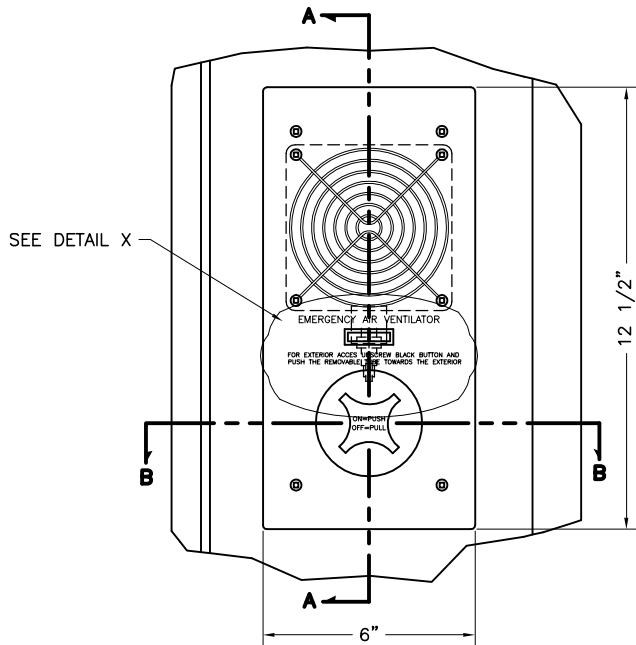
SECTION BB



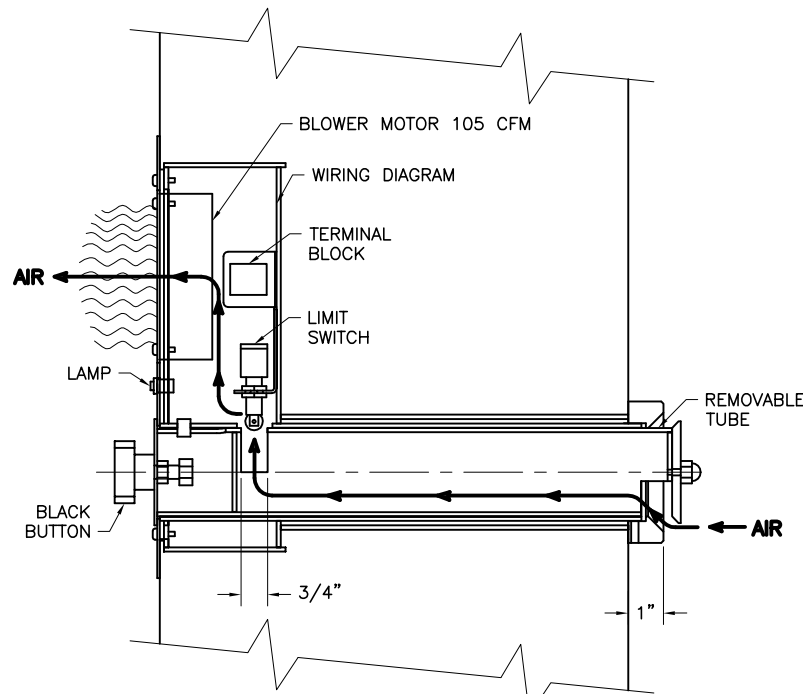
DETAIL X



WIRING DIAGRAM



ELEVATION INSIDE VAULT



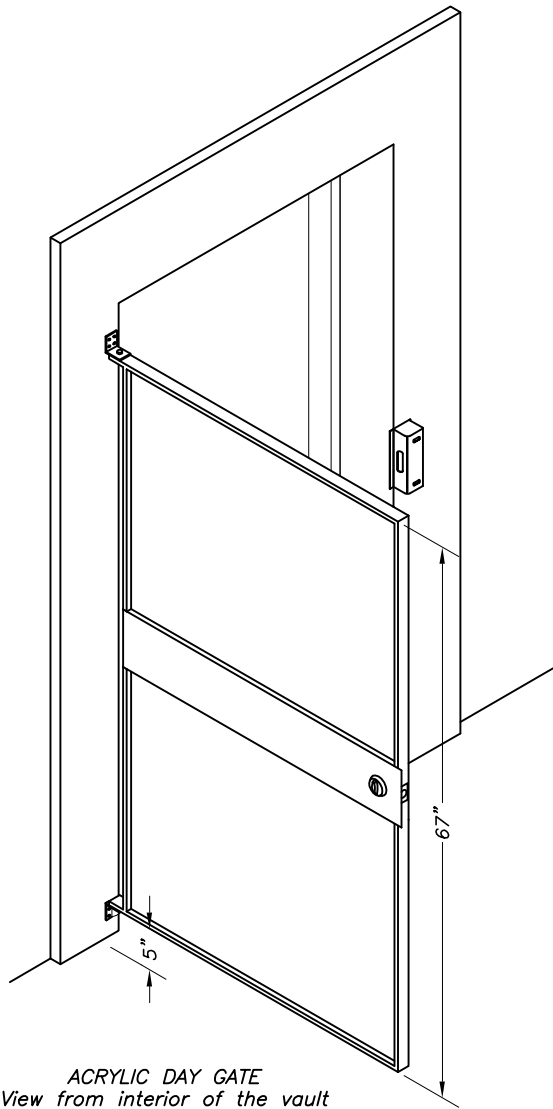
SECTION AA



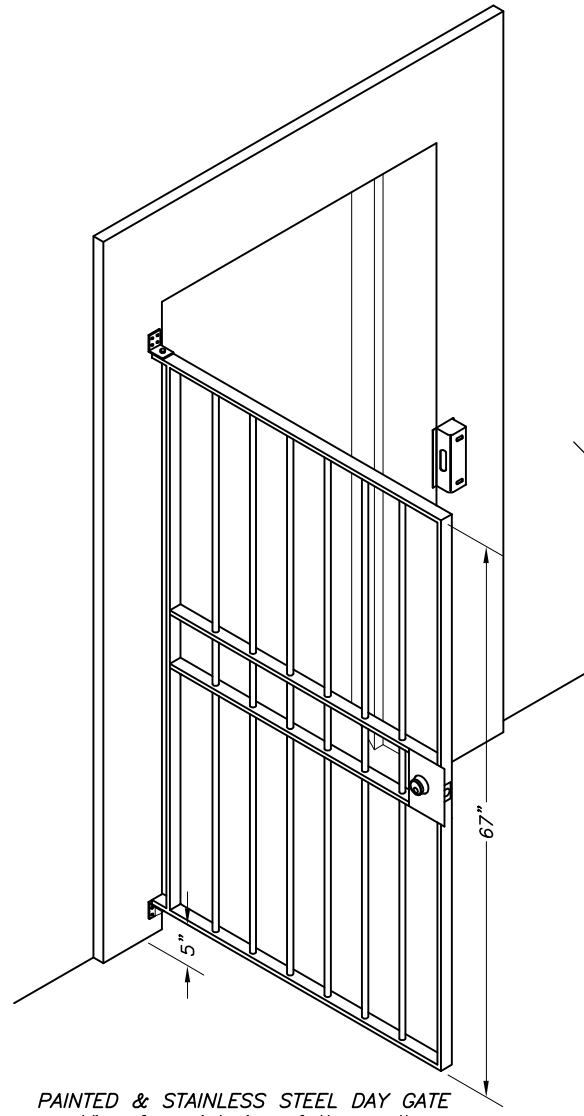
**SECURIFORT
INC**

EMERGENCY VAULT VENTILATOR

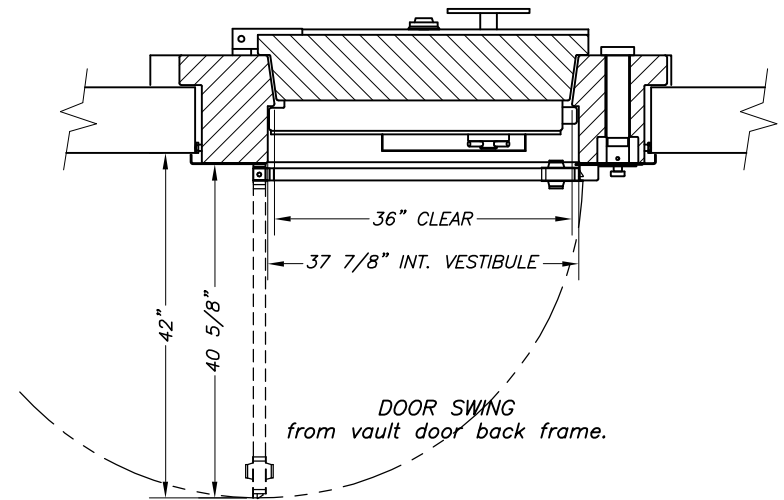
DRAWING NO	DRAWN BY	DATE
PB671	CV	17 12 04
ITEM NO	AC-VEN-01	



ACRYLIC DAY GATE
View from interior of the vault



PAINTED & STAINLESS STEEL DAY GATE
View from interior of the vault



CHARACTERISTICS

- One SCHLAGE keylock model #B250PD6 w/ key control on outside only and thumbturn inside.
- Hinges fitted with self lubricant bronze bushing.
- Stainless steel center escutcheon.
- Choice of 2 acrylic tints, smoke brown & opaque black.
- Aluminium frame construction.
- Approx. Weight= 55 lbs.

CHARACTERISTICS

- One SCHLAGE keylock model #B252PD6 w/ key control on both sides.
- Hinges fitted with self lubricant bronze bushing.
- Approx. Weight= 75 lbs. (Painted model).
85 lbs. (Stainless steel model).



SECURIFORT
INC

Vault Door DAY GATE

36 x 78 Clear Open..

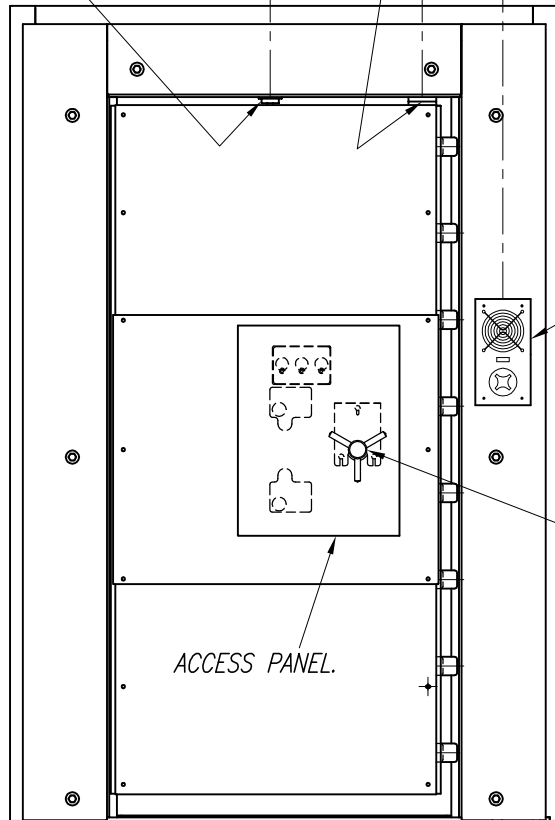
DATE			DRAWN BY	DRAWING NO
17	12	04	RM	PB 535 R1

ACRYLIC MODEL
PAINTED MODEL
S/S MODEL

CONDUITS FOR OPTIONAL HANDLE & COMB. LOCK SENSOR & HEAT & MAGNETIC DOOR SENSOR ON TOP OF THE BACK FRAME.

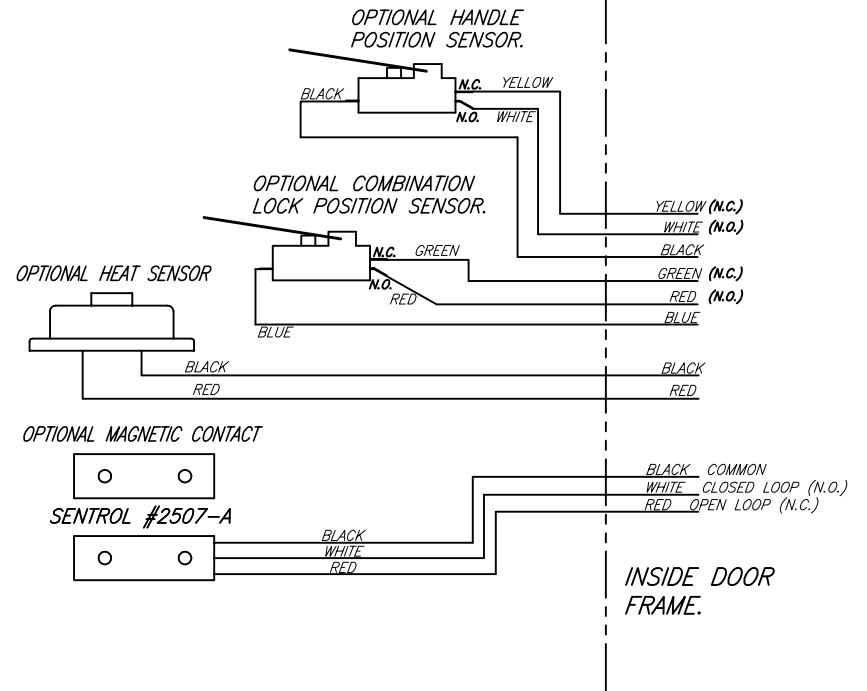
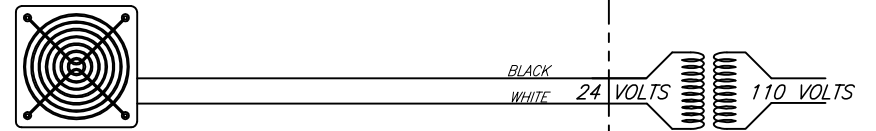
OPTIONAL HEAT SENSOR (ADEMCO 504).

OPTIONAL DOOR CONTACT (SENTROL 2507-A).



INSIDE VIEW
DAY GATE OMITTED

OPTIONAL VAULT VENTILATOR.



1) OPTIONAL HANDLE POSITION SENSOR

This function is used principally to prevent the tampering of the emergency handle; that could be done when the door is open (day time). If that happens, a signal would be immediately transmitted to the alarm central once the alarm is on.

2) OPTIONAL COMBINATION LOCK SENSOR

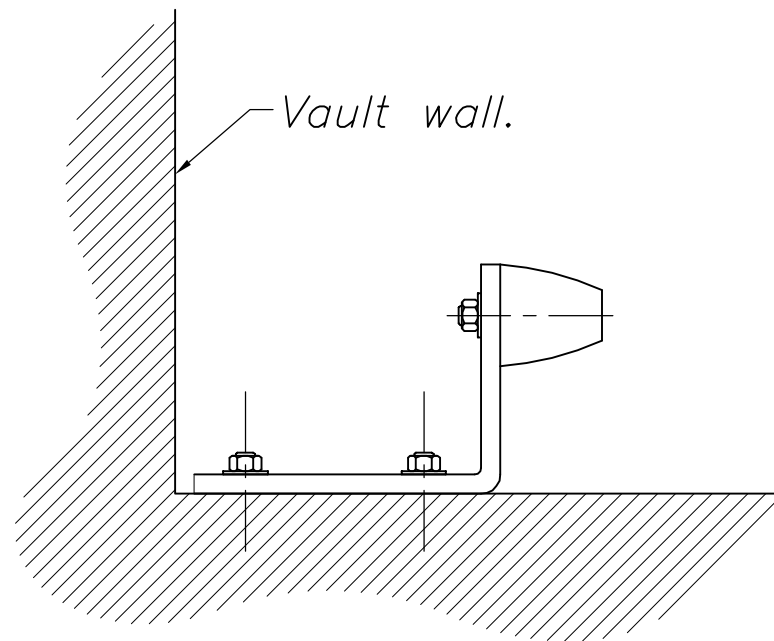
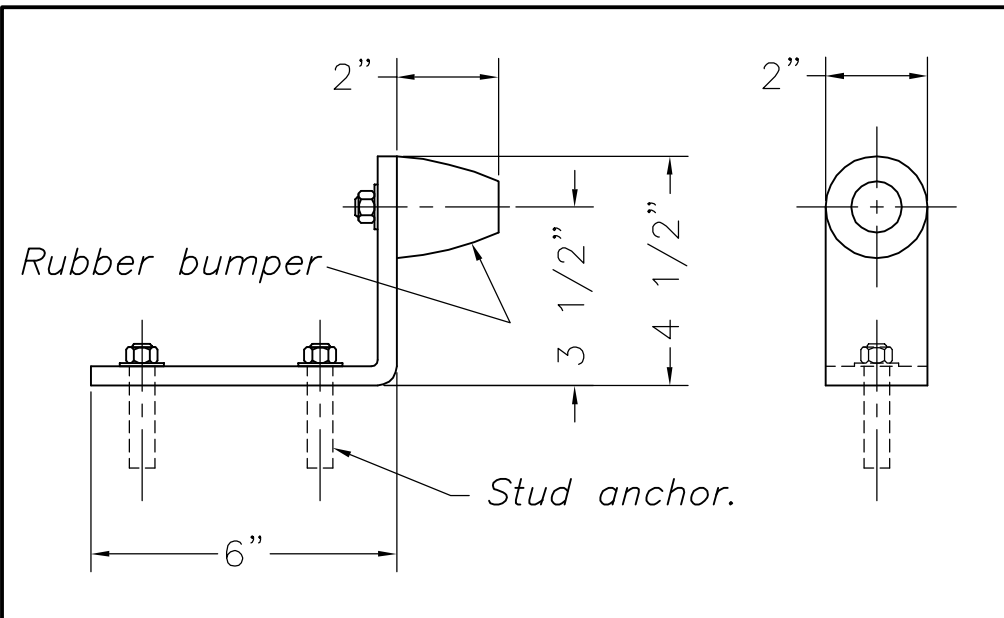
This function allows a signal to be transmitted to the alarm central if the vault door is not locked-up properly (at closing time).



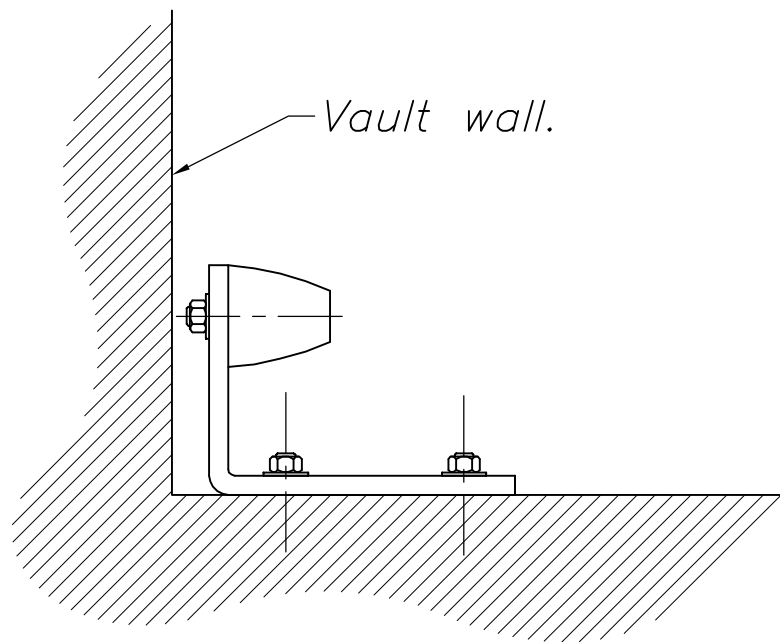
**VAULT DOOR
Alarm Wiring Schematic.**

NO	DATE	REVISION	BY
5	29 06 10	OPTIONAL ALARM WAS STD ITEMS.	RM
4	19 01 10	REDRAW	RM
3	22 07 04	NEW SENSOR CONNECTION.	RM
2	15 11 02	TRANSFO ADDED ON VENT..	RM
1	12 03 99	TEXT #1 & #2 ADDED	RM

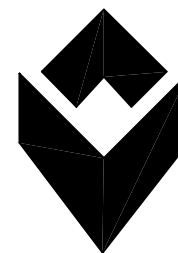
DRAWING NO	DRAWN BY	DATE
PB 591 R5	RM	16 12 04



TO BE INSTALLED FROM THE WALL.



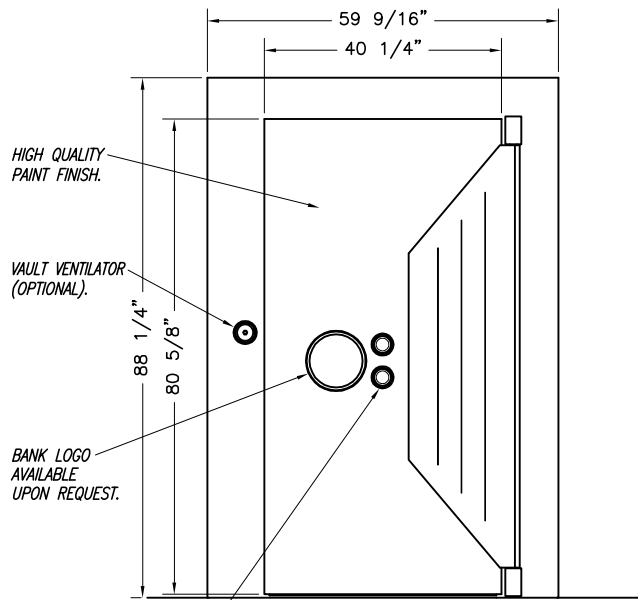
TO BE INSTALLED NEAR THE WALL.



SECURIFORT
INC

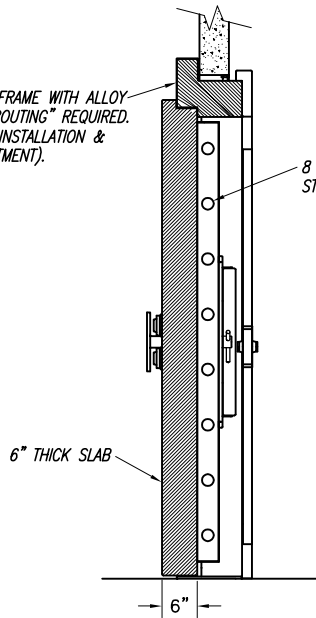
DOOR STOPPER

DRAWING NO	DRAWN BY	DATE		
UF-1761	RM	30	11	04

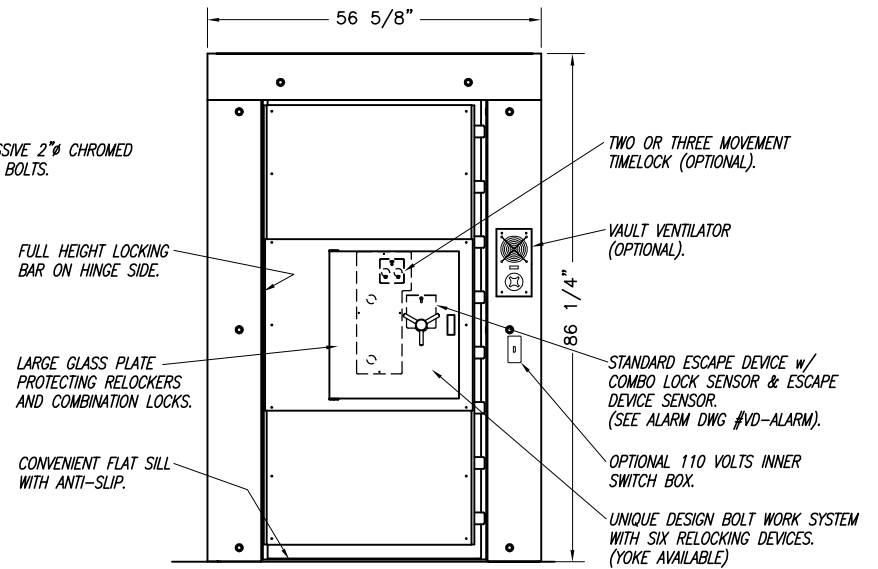


2-4 WHEEL COMBINATION LOCKS, GROUP 1.

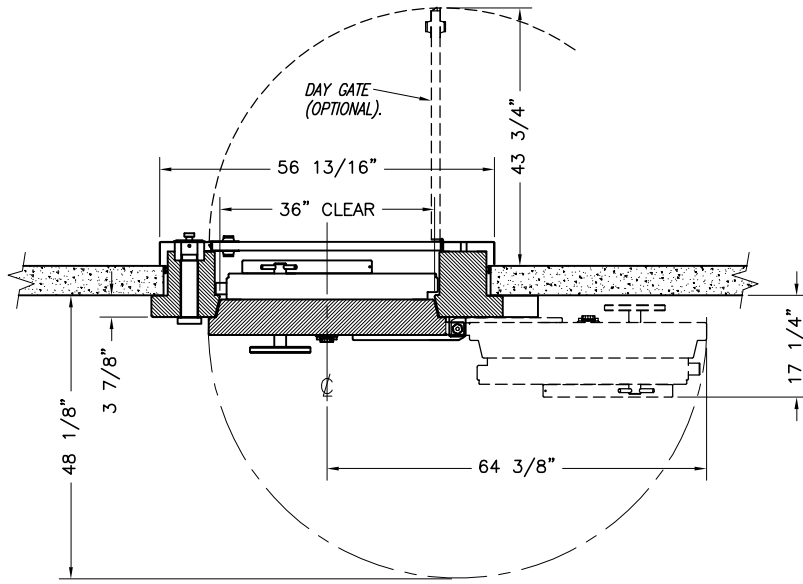
DOOR FRAME WITH ALLOY "NO GROUTING" REQUIRED. (EASY INSTALLATION & ADJUSTMENT).



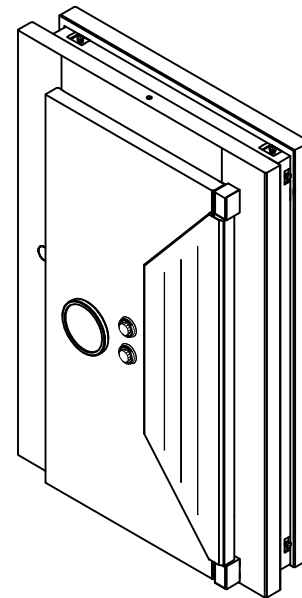
VERTICAL SECTION



INSIDE VIEW
DAY GATE OMITTED



HORIZONTAL SECTION
(DOOR SWING)



TOTAL APPROX. WEIGHT = 4325 lbs.



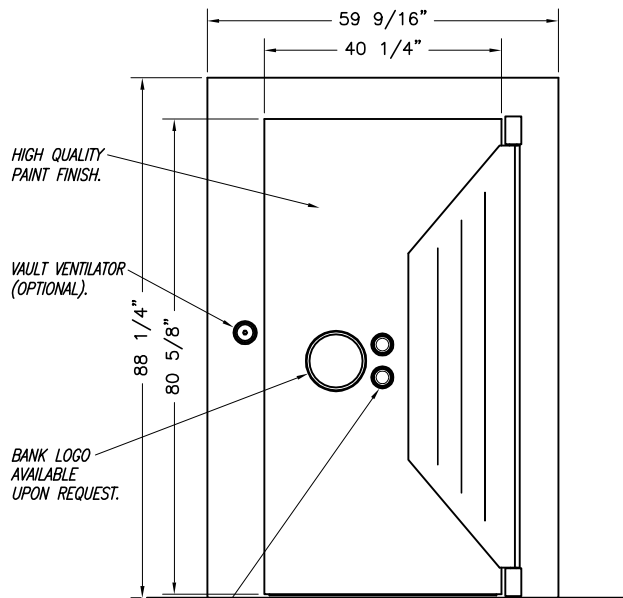
SECURIFORT
INC



Underwriters Laboratories Inc.®
Listed

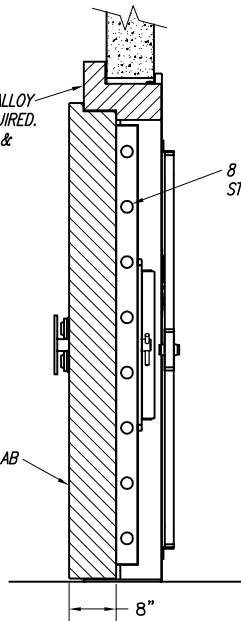
***PAINTED Class 1
VAULT DOOR***

DRAWING NO	DRAWN BY	DATE		
	RM	29	06	09
VD-A078036-UL1N-01				

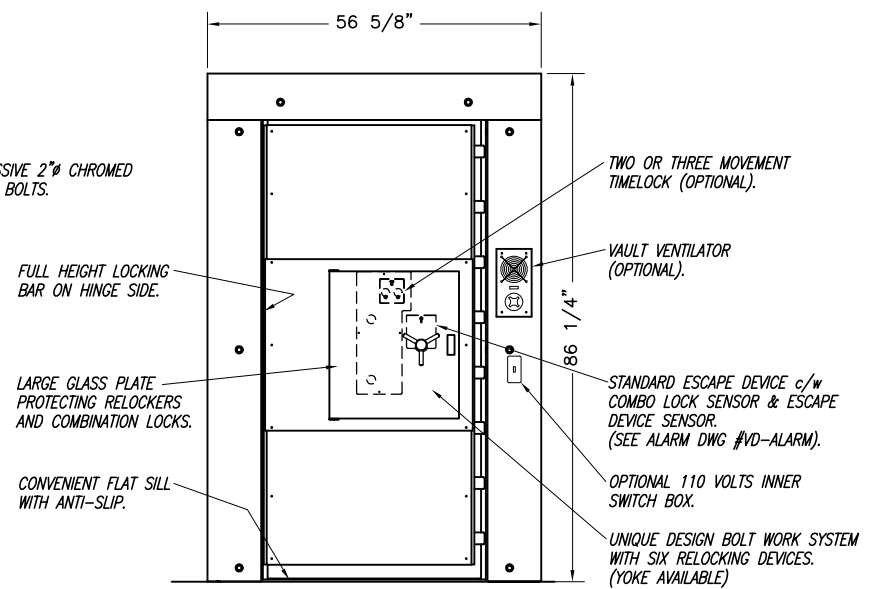


2-4 WHEEL COMBINATION LOCKS, GROUP 1.

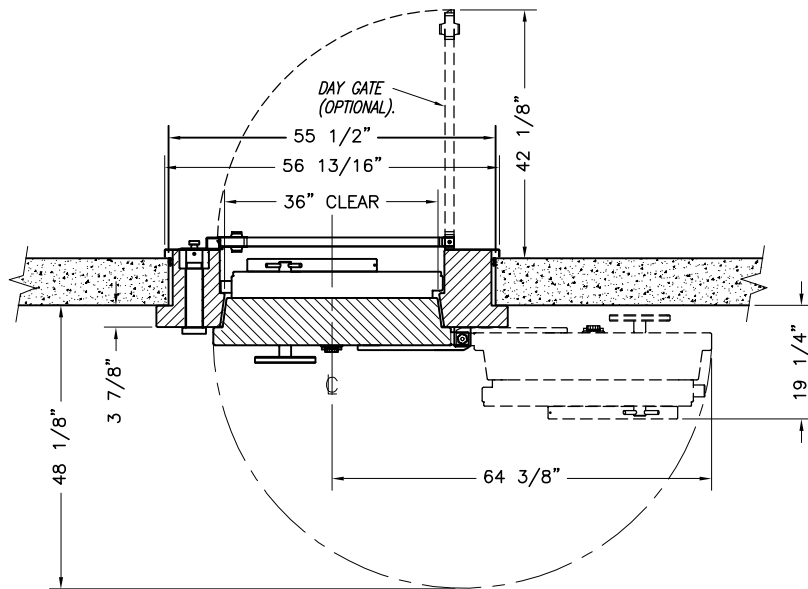
DOOR FRAME WITH ALLOY "NO GROUTING" REQUIRED. (EASY INSTALLATION & ADJUSTMENT).



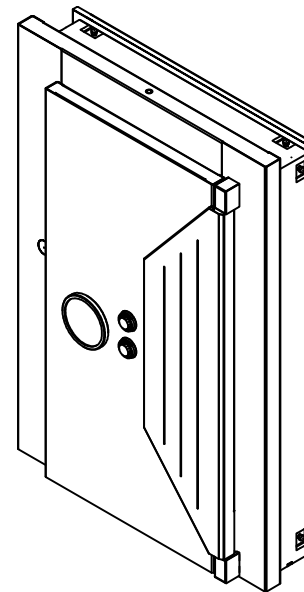
VERTICAL SECTION



INSIDE VIEW
DAY GATE OMITTED



HORIZONTAL SECTION
(DOOR SWING)



TOTAL WEIGHT = 5300 lbs.



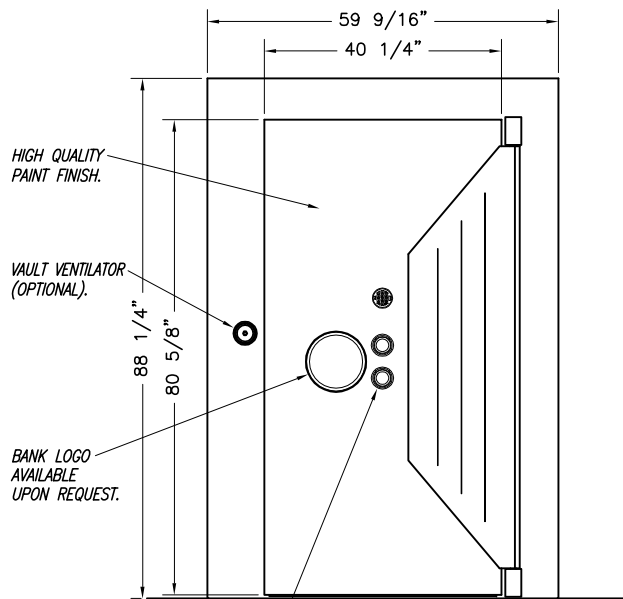
SECURIFORT
INC



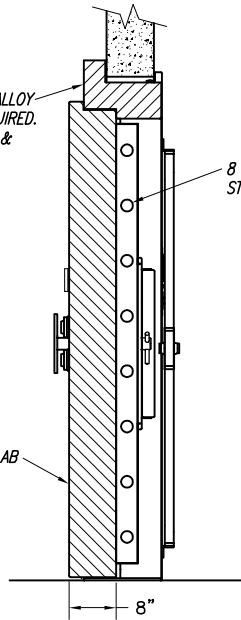
Underwriters Laboratories Inc.®
Listed

***PAINTED Class 2
VAULT DOOR***

DRAWING NO	DRAWN BY	DATE		
	RM	11	03	09
VD-A078036-UL2N-01				



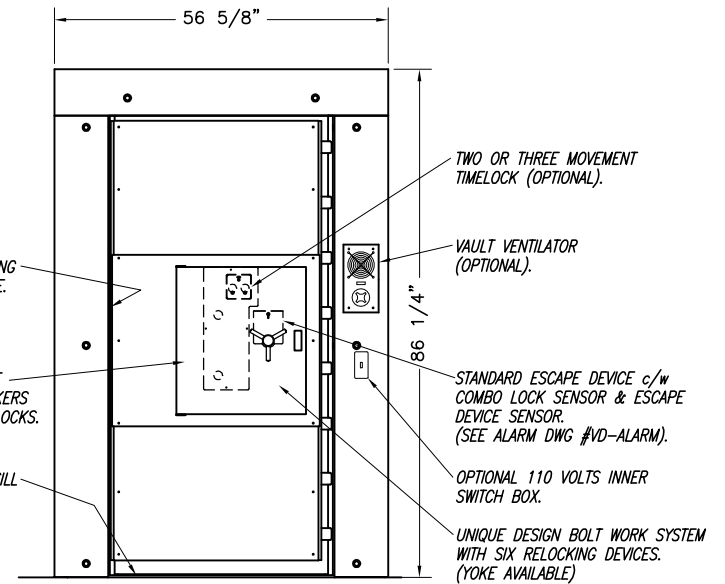
DOOR FRAME WITH ALLOY "NO GROUTING" REQUIRED. (EASY INSTALLATION & ADJUSTMENT).



FULL HEIGHT LOCKING BAR ON HINGE SIDE.

LARGE GLASS PLATE PROTECTING RELOCKERS AND COMBINATION LOCKS.

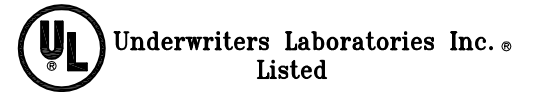
CONVENIENT FLAT SILL WITH ANTI-SLIP.



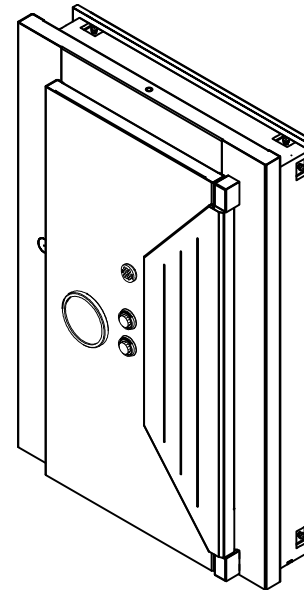
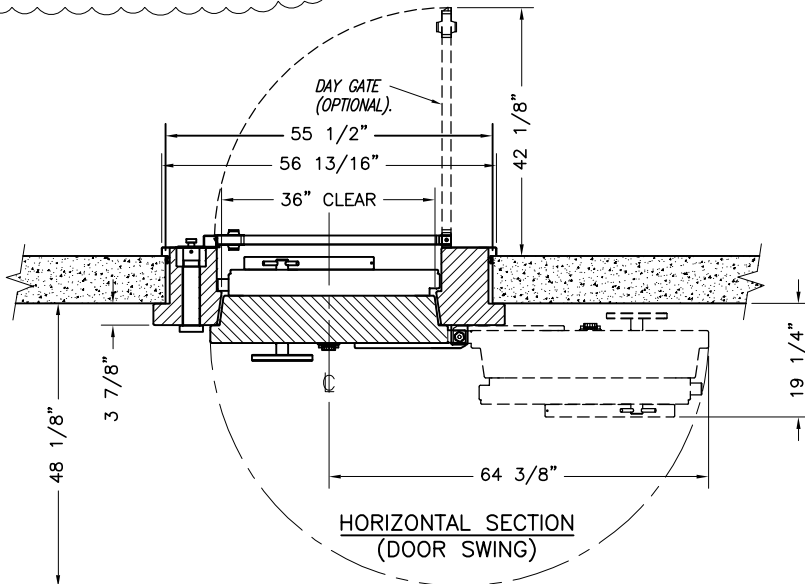
INSIDE VIEW
DAY GATE OMITTED

DOOR SECURED BY BOLT WORK SYSTEM WITH TWO (YOKED) S&G 6500 SERIES GROUP 1, 4 WHEEL COMBINATION LOCKS WITH SPYPROOF DIALS & ONE LAGARD #4300-SB AUDIT FUNCTION DIGITAL COMBINATION LOCK / #3125 FIXED KEYPAD / #4002 LARGE BATTERY PACK WITH ALARM INTERFACE.

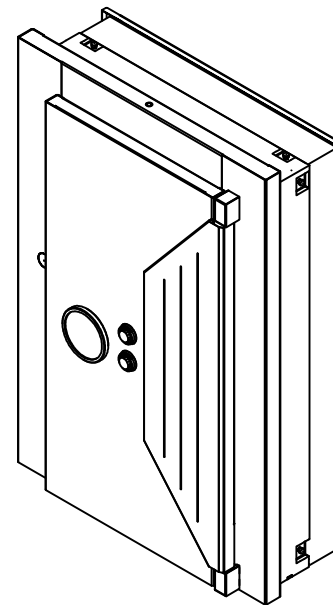
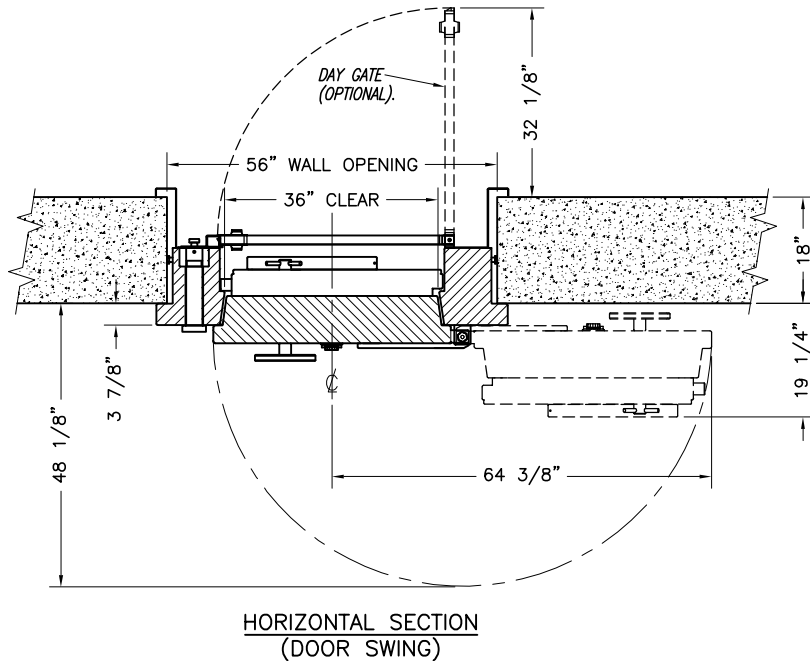
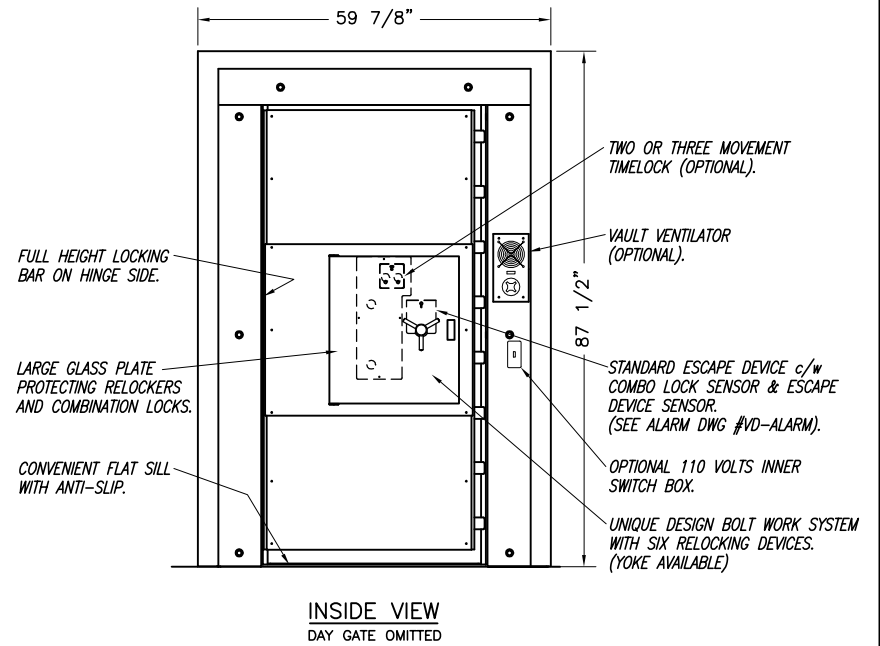
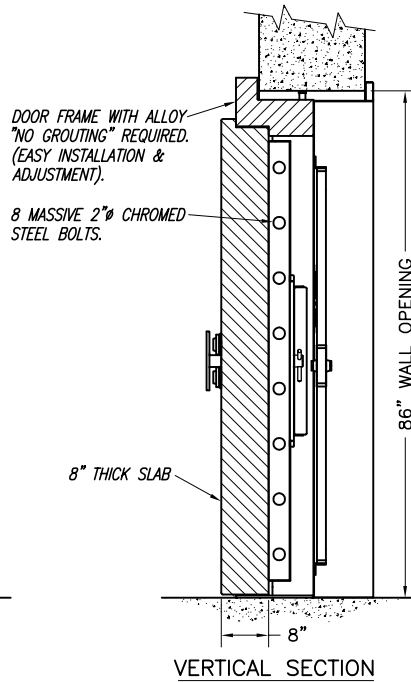
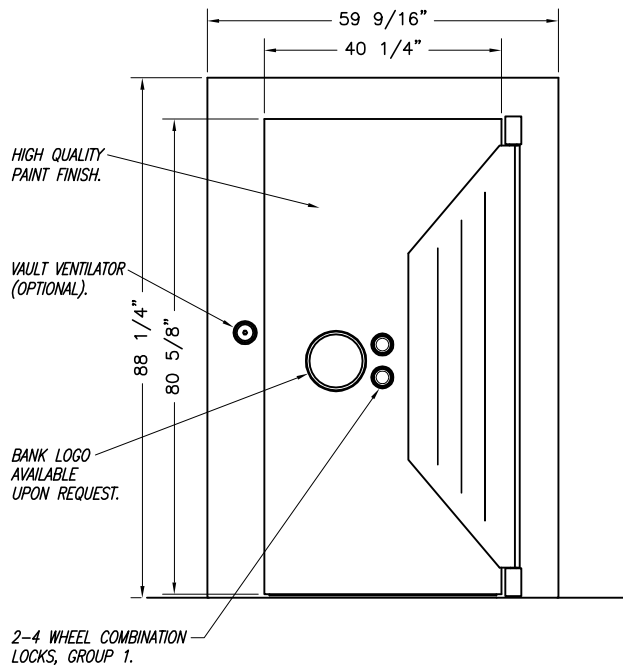
TOTAL WEIGHT = 5300 lbs.



***PAINTED Class 2
VAULT DOOR w/
Digital lock***



DRAWING NO VD-A078036-UL2N-01-DIG	DRAWN BY	DATE		
	RM	10	12	09



TOTAL WEIGHT = 5300 lbs.

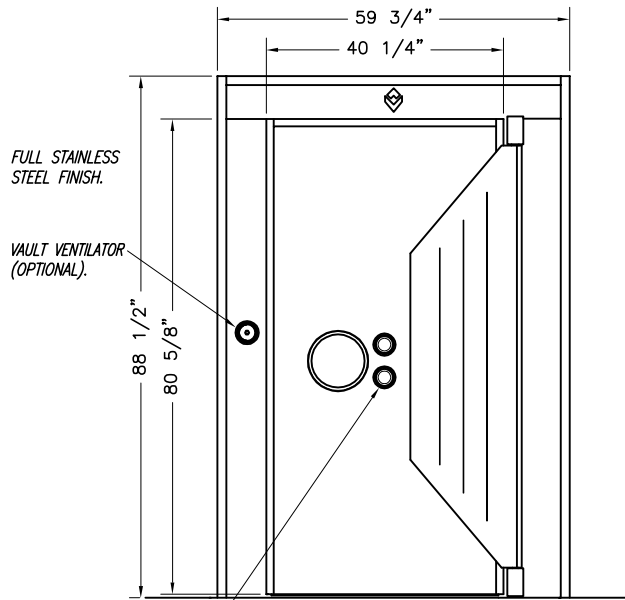


UL Underwriters Laboratories Inc.®
Listed

***PAINTED Class 2
VAULT DOOR
for 18" th. Wall***

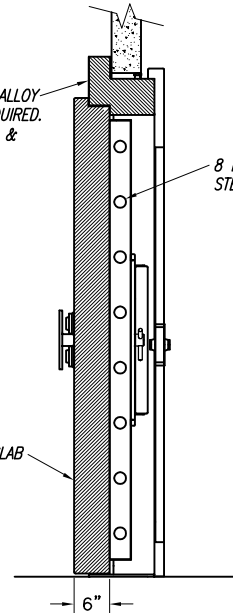
DRAWING NO	DRAWN BY	DATE		
	RM	23	09	09
VD-A078036-UL2N-02				

1	18 01 10	OUTSIDE FRAME DIM. WAS REDUCE.	RM
NO	DATE	REVISION	BY

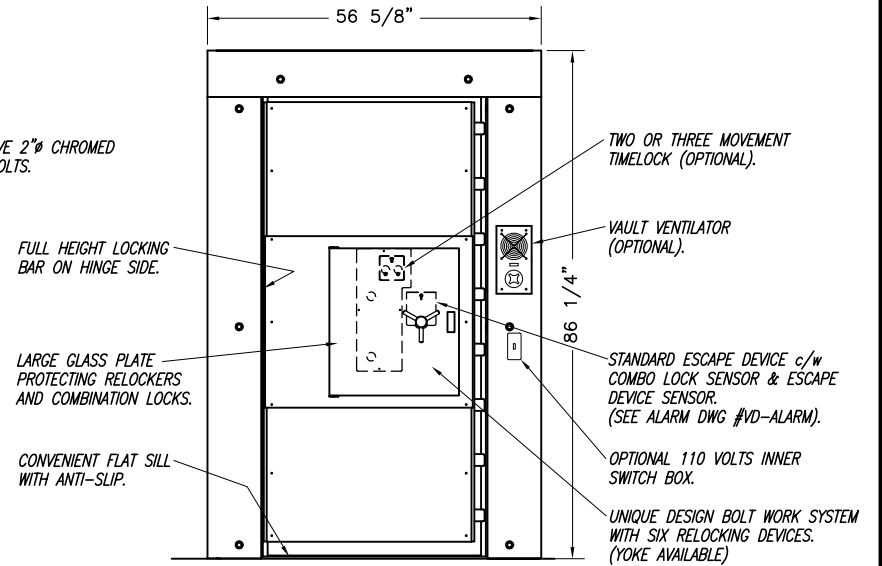


2-4 WHEEL COMBINATION LOCKS, GROUP 1.

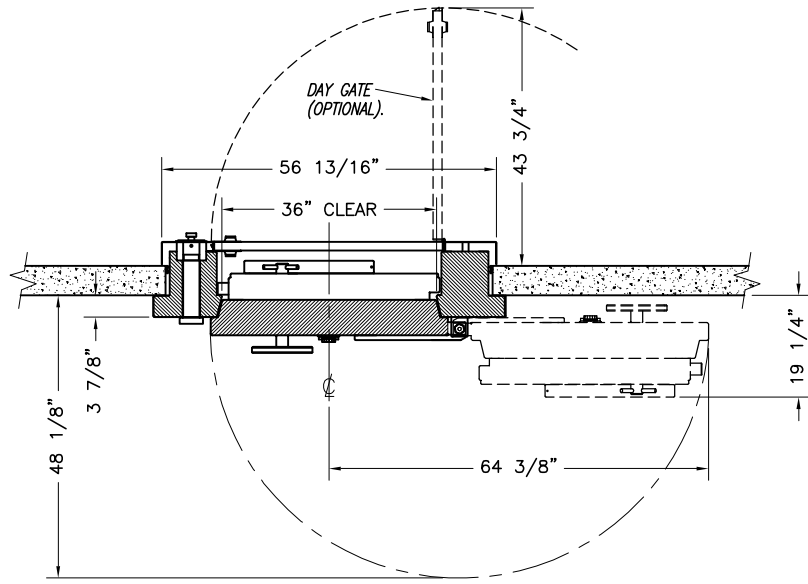
DOOR FRAME WITH ALLOY "NO GROUTING" REQUIRED. (EASY INSTALLATION & ADJUSTMENT).



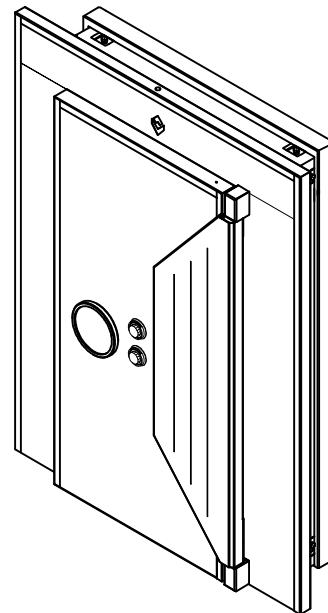
VERTICAL SECTION



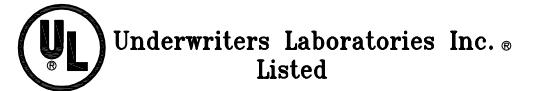
INSIDE VIEW
DAY GATE OMITTED



HORIZONTAL SECTION
(DOOR SWING)



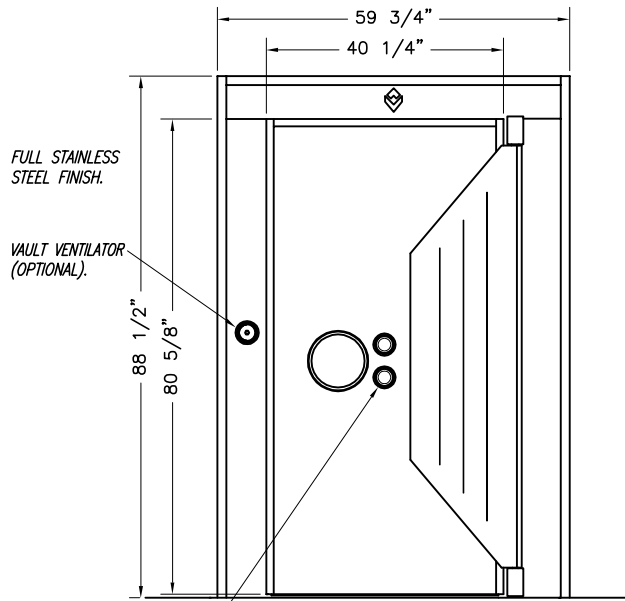
TOTAL APPROX. WEIGHT = 4500 lbs.



**FULL STAINLESS STEEL
Class 1 VAULT DOOR**

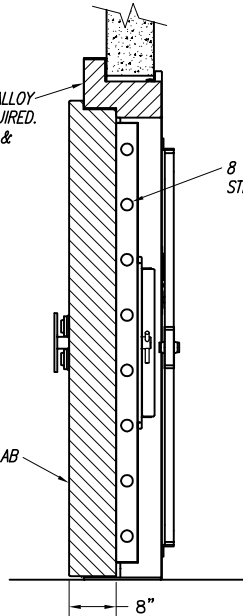
DRAWING NO	DRAWN BY	DATE		
	RM	29	06	09
VD-B078036-UL1N-01				

1	22 09 09	OUTSIDE FRAME DIM. WAS REDUCE.	RM
NO	DATE	REVISION	BY



2-4 WHEEL COMBINATION LOCKS, GROUP 1.

DOOR FRAME WITH ALLOY "NO GROUTING" REQUIRED. (EASY INSTALLATION & ADJUSTMENT).

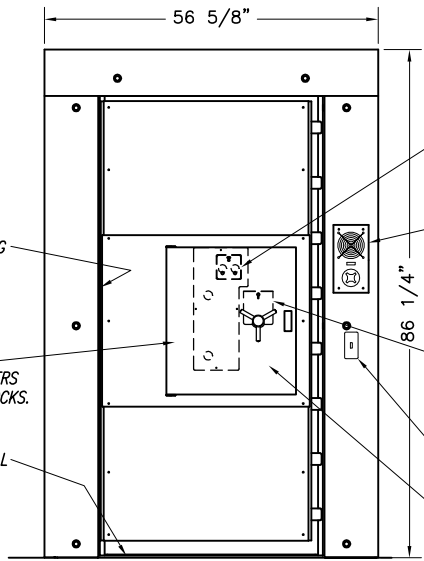


VERTICAL SECTION

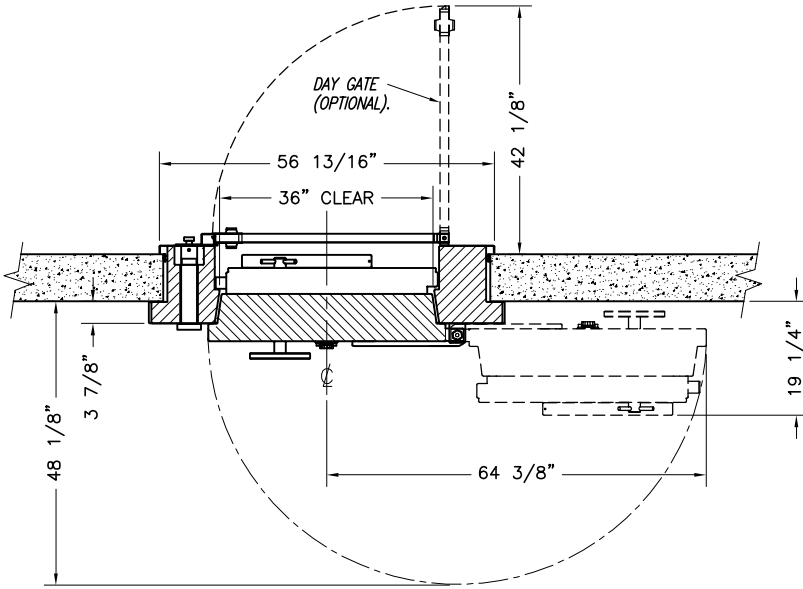
FULL HEIGHT LOCKING BAR ON HINGE SIDE.

LARGE GLASS PLATE PROTECTING RELOCKERS AND COMBINATION LOCKS.

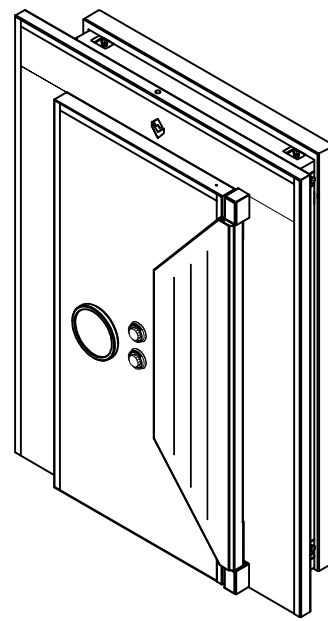
CONVENIENT FLAT SILL WITH ANTI-SLIP.



INSIDE VIEW
DAY GATE OMITTED



HORIZONTAL SECTION
(DOOR SWING)



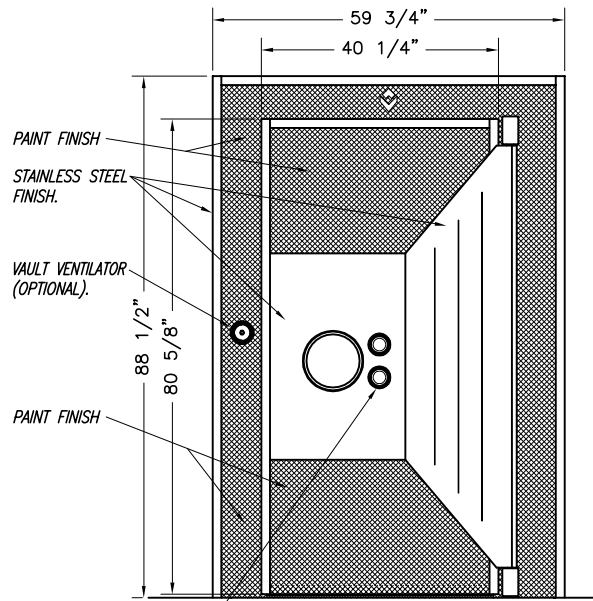
TOTAL APPROX. WEIGHT = 5500 lbs.



**FULL STAINLESS STEEL
Class 2 VAULT DOOR**

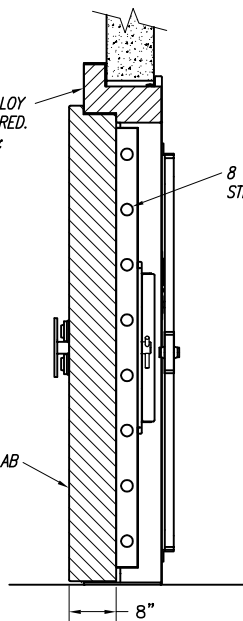
DRAWING NO	DRAWN BY	DATE		
	RM	22	09	09
VD-B078036-UL2N-01				

1	22 09 09	OUTSIDE FRAME DIM. WAS REDUCE.	RM
NO	DATE	REVISION	BY

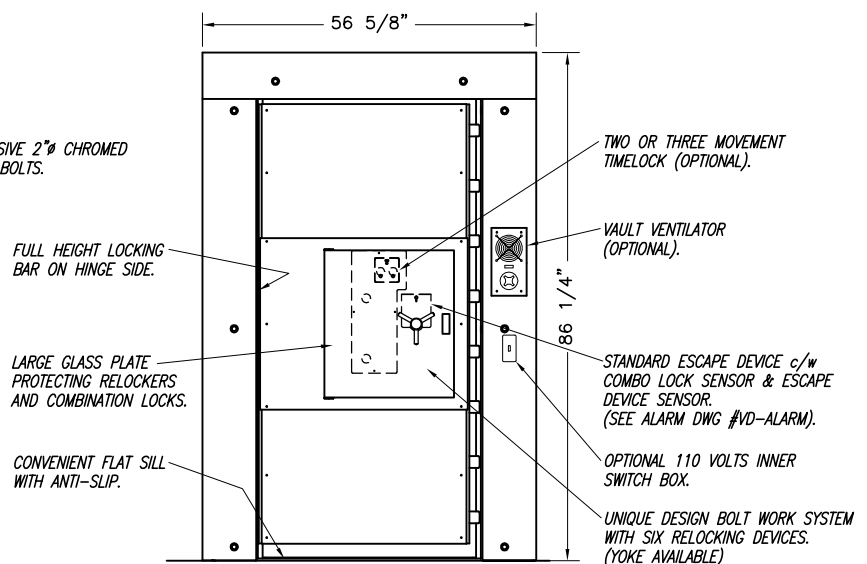


2-4 WHEEL COMBINATION LOCKS, GROUP 1.

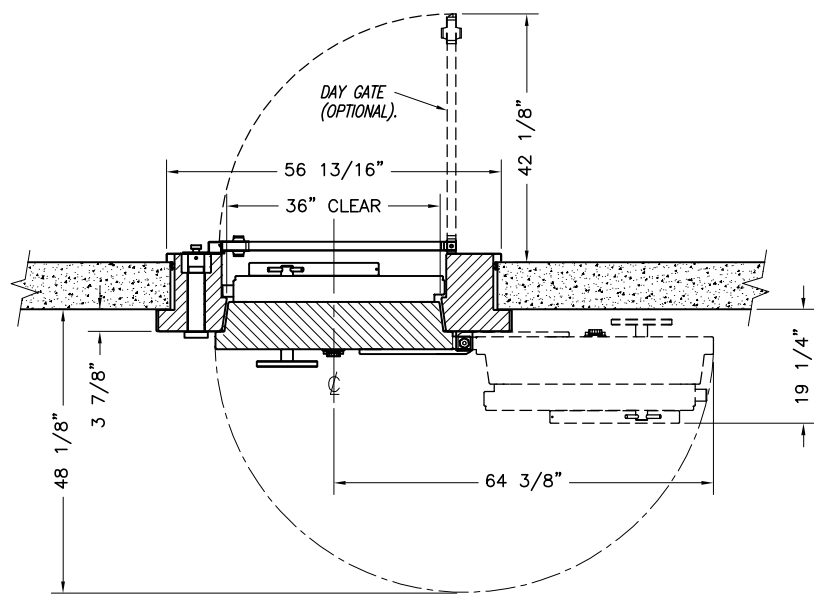
DOOR FRAME WITH ALLOY "NO GROUTING" REQUIRED. (EASY INSTALLATION & ADJUSTMENT).



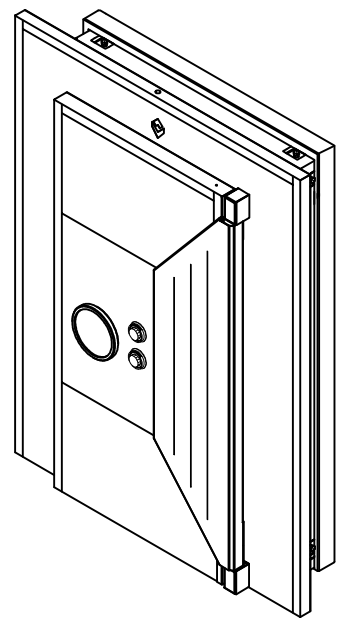
VERTICAL SECTION



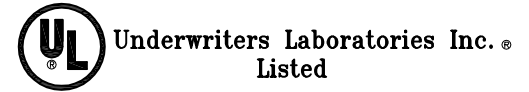
INSIDE VIEW
DAY GATE OMITTED



HORIZONTAL SECTION
(DOOR SWING)

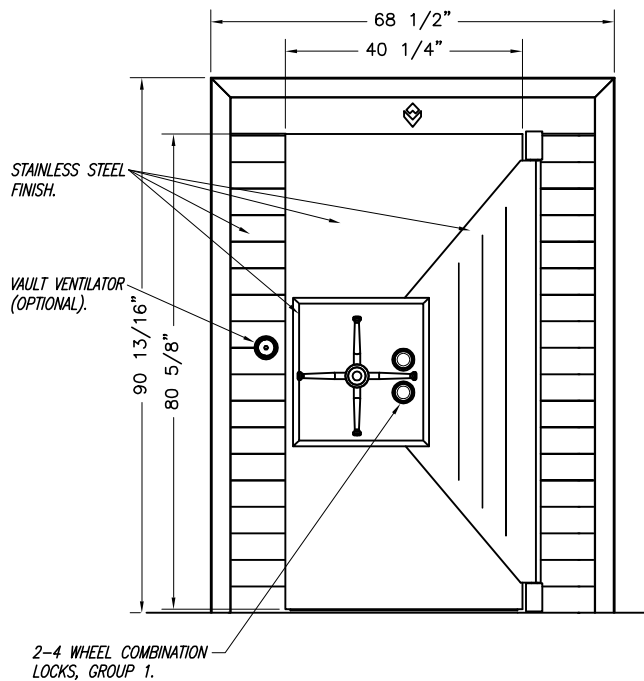


TOTAL APPROX. WEIGHT = 5400 lbs.

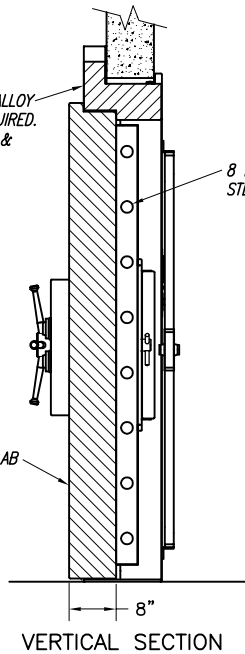


STAINLESS STEEL ESCUTCHEON
Class 2 VAULT DOOR

DRAWING NO	DRAWN BY	DATE		
	RM	01	09	09
VD-C078036-UL2N-01				



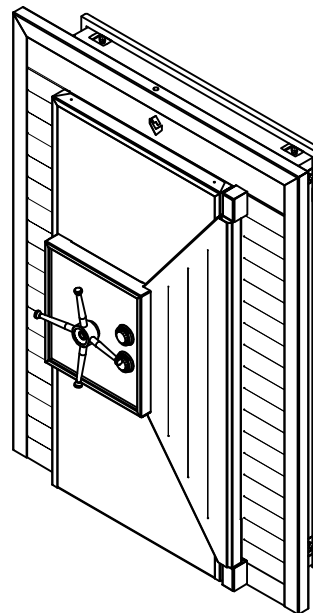
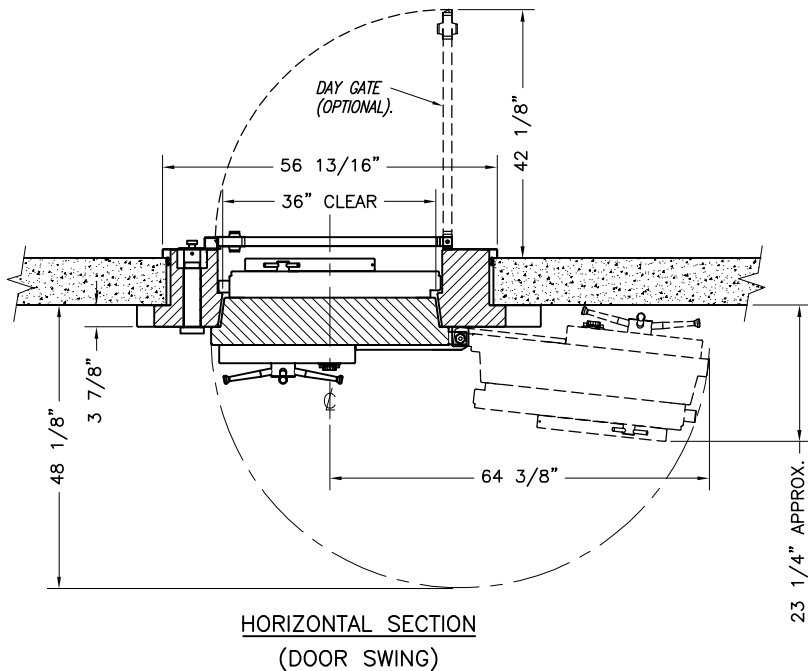
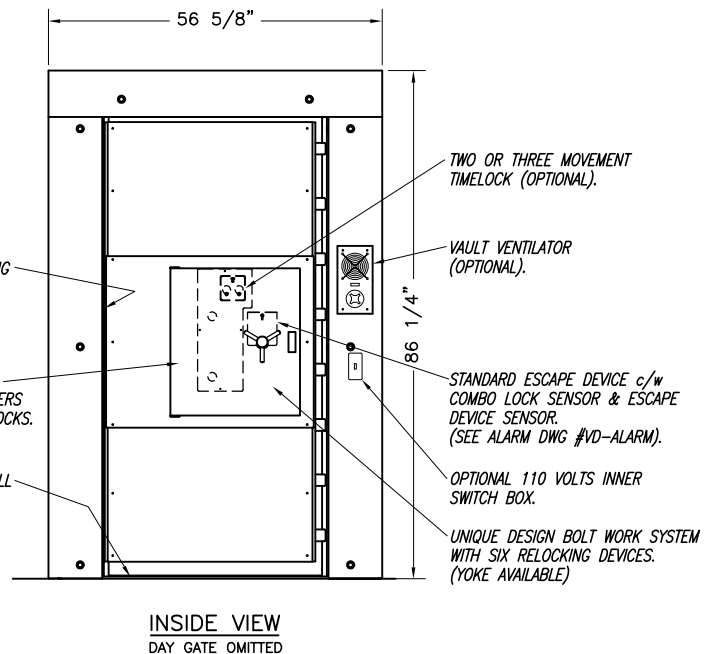
DOOR FRAME WITH ALLOY "NO GROUTING" REQUIRED. (EASY INSTALLATION & ADJUSTMENT).



FULL HEIGHT LOCKING BAR ON HINGE SIDE.

LARGE GLASS PLATE PROTECTING RELOCKERS AND COMBINATION LOCKS.

CONVENIENT FLAT SILL WITH ANTI-SLIP.



TOTAL APPROX. WEIGHT = 5500 lbs.



SECURIFORT
INC

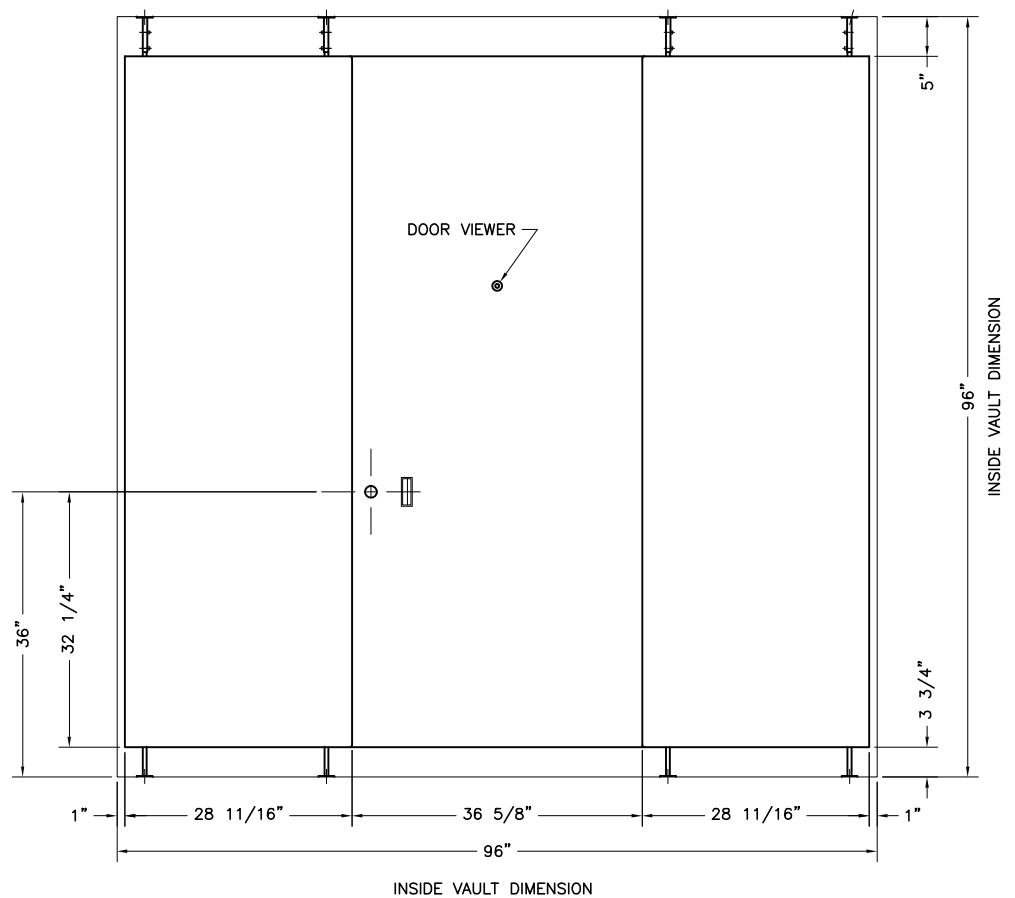
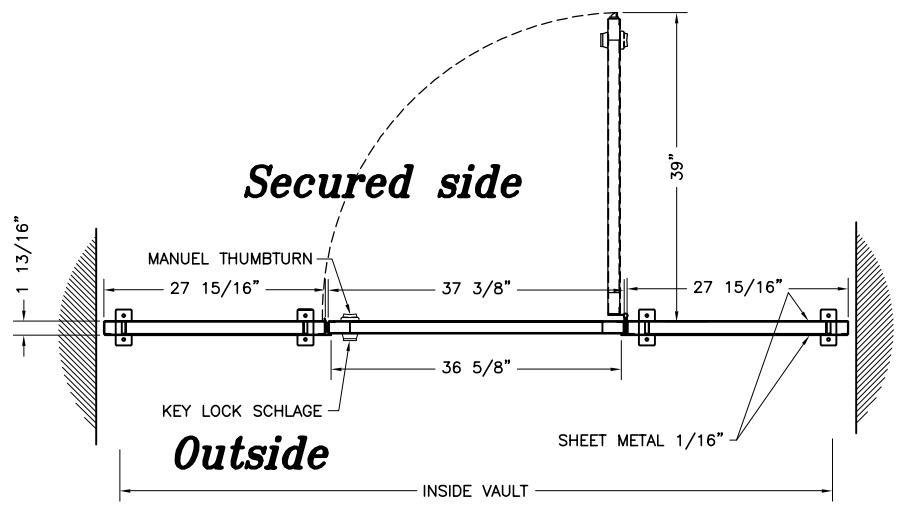


Underwriters Laboratories Inc.®
Listed

FULL STAINLESS STEEL
Class 2 VAULT DOOR
Executive Series

DRAWING NO	DRAWN BY	DATE		
	RM	22	09	09
VD-D078036-UL2N-01				

△			
△	1	19 01 10	5" was 8" clear space on top. RM
NO	DATE	REVISION	BY



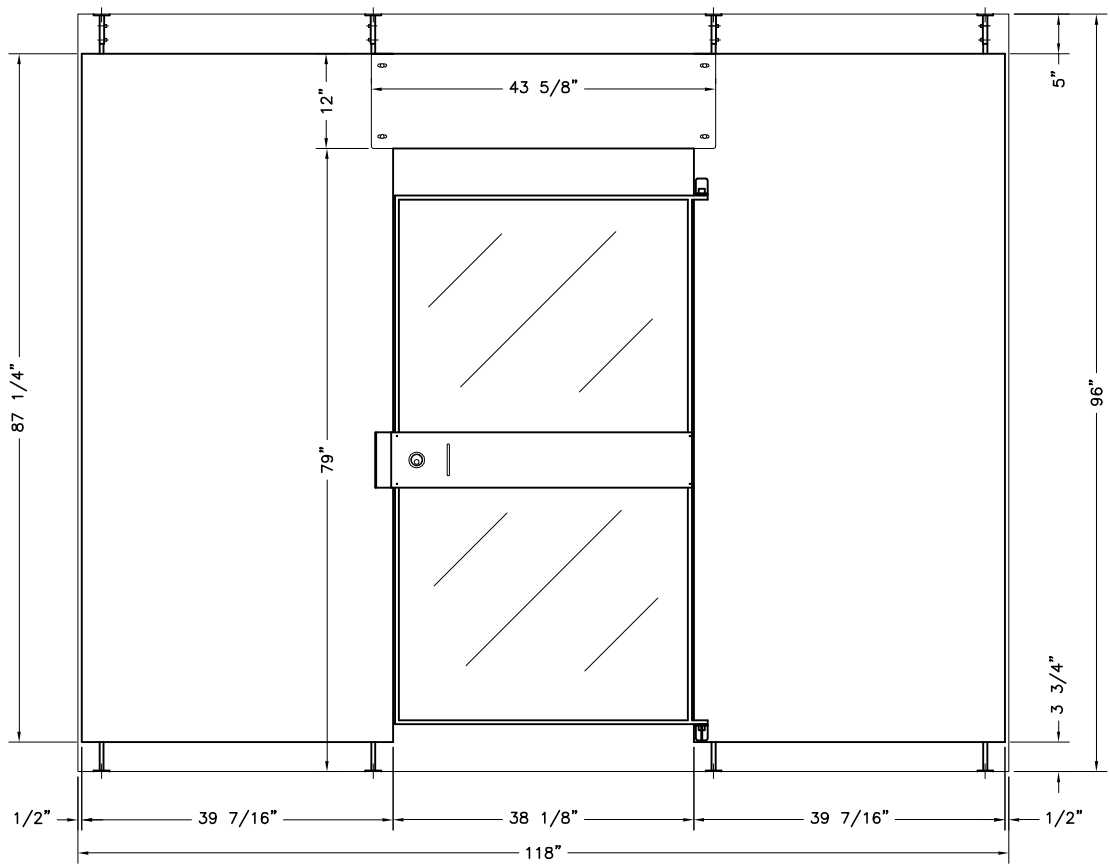
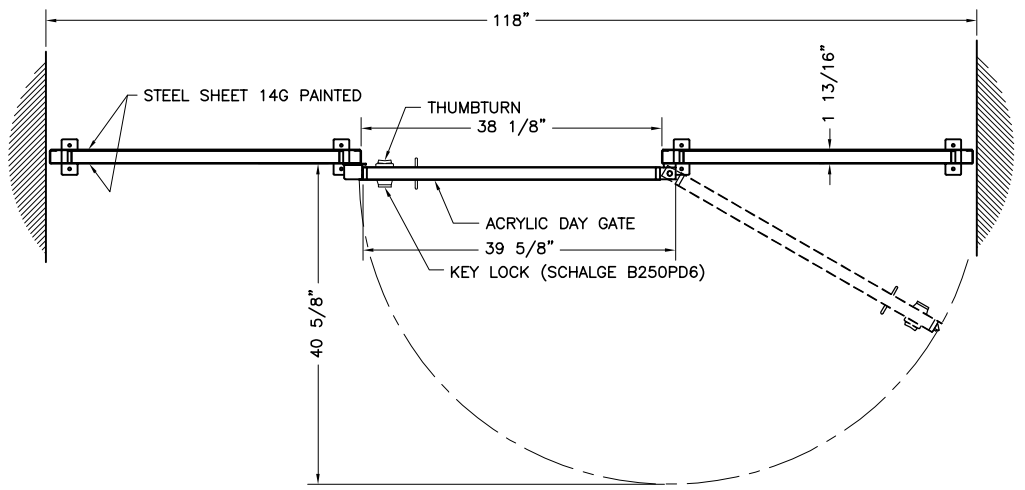
APPROX. TOTAL WEIGHT: 450 LBS



VAULT PARTITION WITH STEEL DOOR

DRAWING NO	DRAWN BY	DATE
PB697	JM	30 08 07
VP-A-096096-ZRI		

1	19 01 10	5" was 8" clear space on top.	RM
NO	DATE	REVISION	BY



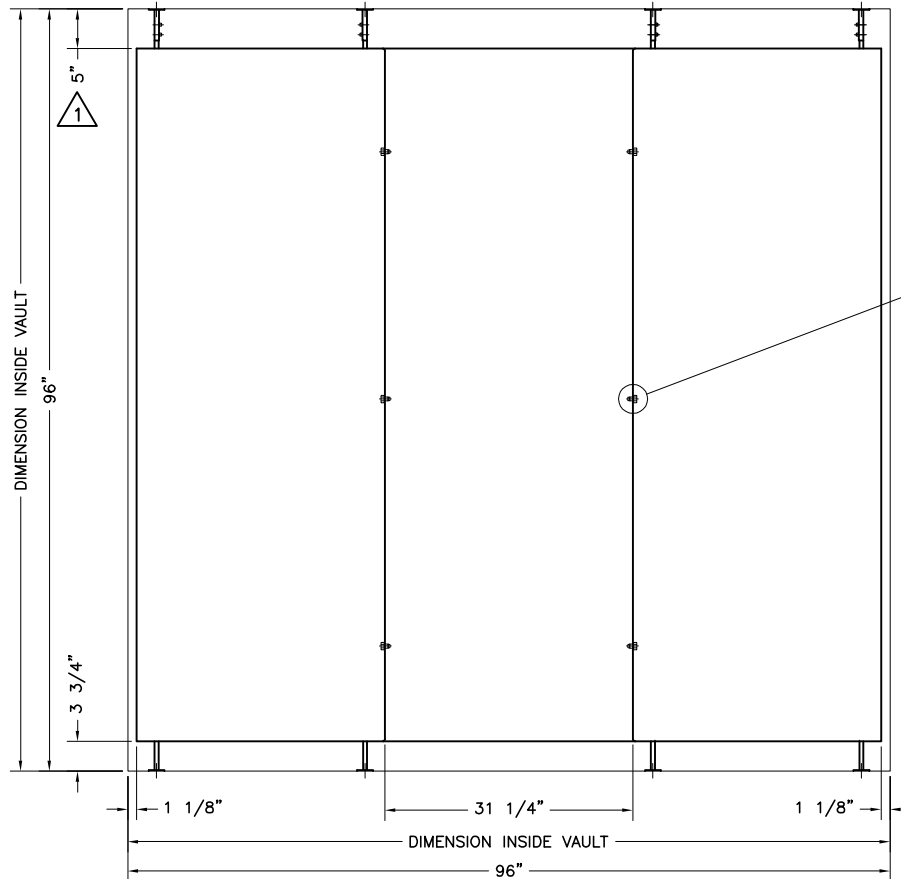
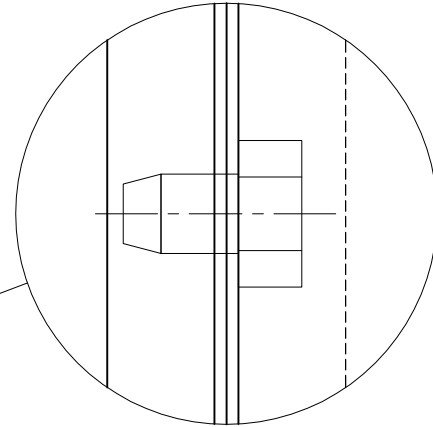
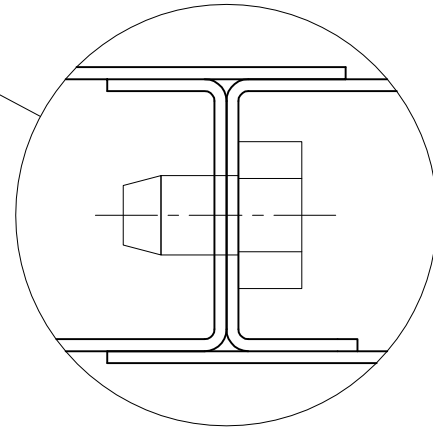
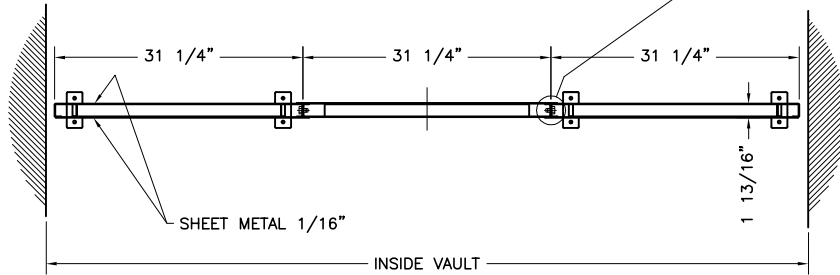
APPROX. TOTAL WEIGHT: 475 LBS



STEEL VAULT PARTITION WITH ACRYLIC DAY GATE

DRAWING NO	PB691	DRAWN BY	RM	DATE	02	09	08
DRAWING NO	VP-B-096118-ZR0-01						

1	25 05 09	5" was 8" clear space on top.	RM
NO	DATE	REVISION	BY



TOTAL APPROX. WEIGHT: 450 LBS



SECURIFORT
INC

***VAULT PARTITION
WITHOUT DOOR***

DRAWING NO	DRAWN BY	DATE
	JM	11 01 07
ITEM NO		
VP-E-096096A-DXX		