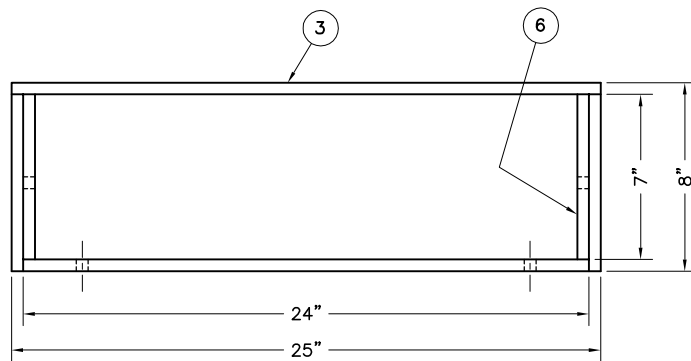
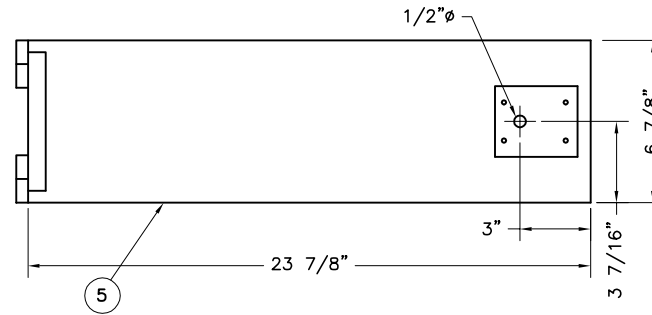
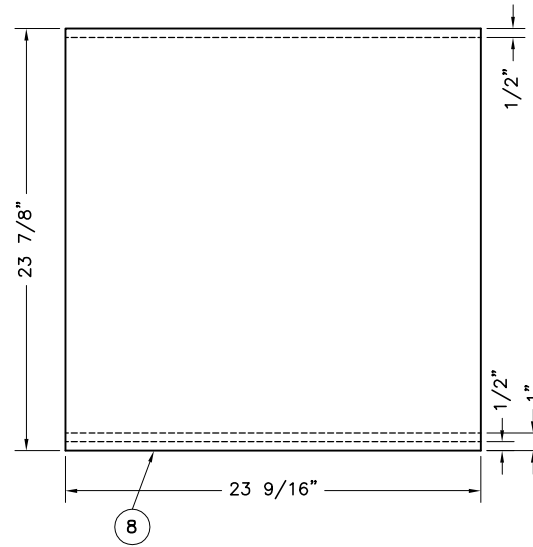
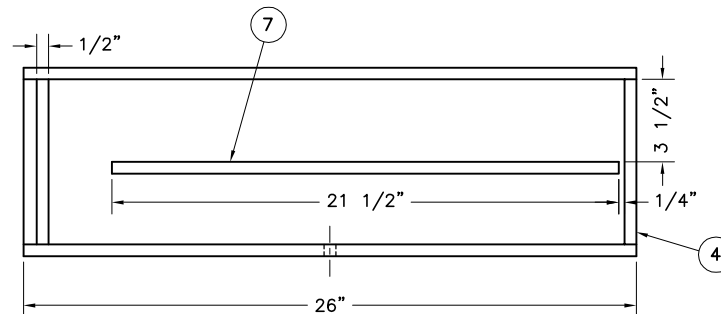


HORIZONTAL SECTION



ELEVATION



VERTICAL SECTION

#LO-HHA01-082526-E01

ITEM	QTY	DESCRIPTION
1	1	HRS PL 1/2 X 23 15/16 x 26
2	2	HRS PL 1/2 X 7 1/2 X 26
3	1	HRS PL 1/2 X 25 X 26
4	1	HRS PL 1/2 X 6 15/16 X 23 15/16
5	1	HRS 1/2 X 6 7/8 X 23 7/8
6	2	HRS 1/2 X 1/2 X 7
7	2	HRS 1/2 X 1/2 X 21 1/2
8	1	HRS PL 14G X 23 9/16 X 23 7/8
	1	HRS 1/4 X 1 X 6 7/8
	1	SA 3/4 X 3/4 X 1/8 X 5 7/8
	2	HINGE P-1044
	1	PL LOCK P-803

UNSPECIFIED LIMITS	
FRACTIONS	+/- 1/32"
ANGLES	+/- X
DECIMALS	+/- X

		TITLE	
		CASIER	
DATE 17 9 00		APPLICATION	
		VILLE DE MONTREAL	
PART NO X		APP ED BY	SCALE
			1/4" = 1"
		DRAWING NO	
		CL 117	