

Depository Safe

BUILT WITH BANK LEVEL ALLOY

(60 MINUTES FIRE RESISTIVE)

5	22 03 04	ANCHOR BASE ADDED.	RM
4	22 08 03	#SSP17-DEP MODEL ADDED	RM
3	24 07 03	SHELVES ADDED	RM
2	15 06 00	REDRAW	RM
1	19 04 99	ADD 60# ON WEIGHT	RM
NO	DATE	REVISION	BY

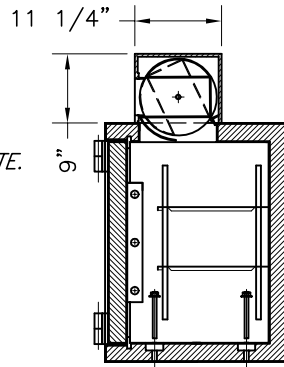
CONSTRUCTION

BODY & DOOR 2 1/2" THICK INCLUDING 1/4" MILD STEEL & 2 1/4" OF 11500 psi CONCRETE.

FINISH

HIGH QUALITY PAINT WITH ANTI-RUST TREATMENT.

-LIFE TIME WARRANTY HINGES.



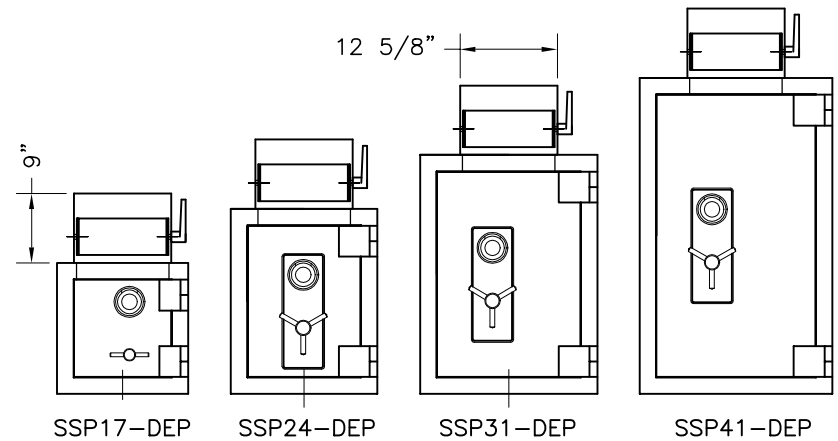
VERTICAL SECTION
SSP31-DEP

ROTARY HOPPER

- BODY 3/8" THICK OF SOLID STEEL.
- CLEAR DEPOSIT OPENING: 4 3/4" H. X 11 3/8" W. X 8" D.

MECHANISM

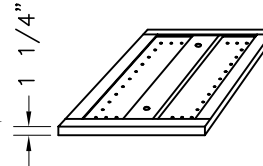
- MECHANISM WITH 1"Ø MASSIVE STAINLESS STEEL BOLTS AND 2 AUTOMATIC RELOCKING SYSTEMS.
- LOCK PROTECTED BY A 3/8" TH. HARD PLATE.
- S&G GR2 3 WHEEL COMBO LOCK.



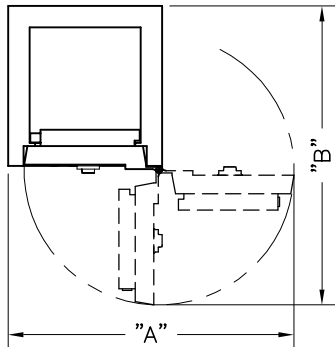
MODELS	DOOR SWING DIMENSIONS	
	"A"	"B"
SSP17-DEP	31"	34 1/4"
SSP24-DEP	34"	40"
SSP31-DEP	42"	44"
SSP41-DEP	46"	49 1/2"
SSP53-DEP	45 1/2"	49 1/2"
SSP65-DEP	45 1/2"	49 1/2"

OPTIONS

- INTERIOR COMPARTMENTS
- ELECTRONIC LOCK.
- SPECIAL DIMENSIONS.
- RELOCKING DEVICE w/ ARMOR GLASS.
- ANCHOR BASE 1 1/4"H OR 12"H FOR WOOD FLOOR.
- 2 ANCHOR HOLES 3/4"Ø, OPTIONAL ON MODELS #SSP41-DEP & UP STANDARD ON MODELS #SSP17-DEP, SSP24-DEP & SSP31-DEP.



**HIGH SECURITY PRODUCTS
BANKING AND COMMERCIAL
WITH ROTARY HOPPER**



MODELS	INSIDE DIMENSIONS			OUTSIDE DIMENSIONS			CLEAR OPEN		OVERALL DEPTH	SHELF QTY	WEIGHT
	HEIGHT	WIDTH	DEPTH	HEIGHT	WIDTH	DEPTH	HEIGHT	WIDTH			
SSP17-DEP	12"	12"	12"	26"	17"	19 1/4"	10 3/4"	10 3/4"	21 1/8"	0	455 lbs
SSP24-DEP	19"	14"	16 1/2"	33"	19"	23 3/4"	17 3/4"	12 3/4"	25 5/8"	1	640 lbs
SSP31-DEP	26"	18"	16 1/2"	40"	23"	23 3/4"	24 3/4"	16 3/4"	25 5/8"	2	870 lbs
SSP41-DEP	36"	20"	20"	50"	25"	27 1/4"	34 3/4"	18 3/4"	29 1/8"	3	1220 lbs
SSP53-DEP	48"	20"	20"	62"	25"	27 1/4"	46 3/4"	18 3/4"	29 1/8"	3	1510 lbs
SSP65-DEP	60"	20"	20"	74"	25"	27 1/4"	58 3/4"	18 3/4"	29 1/8"	4	1750 lbs



**CLASS 2 SAFE
SUPER-PRO**

DATE	DRAWN BY	DRAWING NO
14 09 98	RM	PC 410C-A R4