

13 09 01	2MODELS ADDED #4934-26 & 6529-20	RM
01 06 99	CLASS 4 & 5 WAS TRTL-30	RM
22 09 97	YOKE OPTION DETAIL ADDED	RM
05 02 97	MODEL #6534-20 ADDED	RM
NO	DATE	REVISION
		BY

# The Ultimate in Burglary Safe

## PROTECTION AGAINST TORCH-TOOL-EXPLOSIVE

### FINISH

HIGH QUALITY PAINT FINISH (COLOR OF YOUR CHOICE) PEBBLE STYLE.

### SHELF

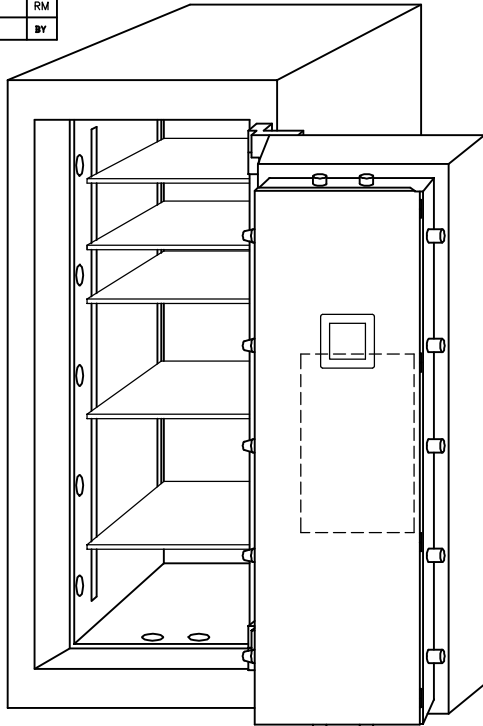
HEAVY DUTY ADJUSTABLE AND REMOVABLE SHELVES.

### CONSTRUCTION

FIRE AND BURGLAR 5" TH. PROVEN TORCH AND TOOL ALLOY MATERIAL.

### BOLT CHAMBER

UP TO FOURTEEN BOLT HOLES BUILT IN BODY FOR BETTER BURGLAR PROTECTION AND EXPLOSIVE ATTACK, WITH MAXIMUM SPACE UTILISATION.



### HINGES

HIGH QUALITY DESIGN FITTED WITH COPPER BUSHING ALLOWING TO OPEN UP TO 280°.

### BOLTWORK

- THREE WAY MECHANISM WITH TWO TOP AND BOTTOM 1 1/2" Ø BOLTS.
- UP TO NINE MOVABLE AND FIVE FIX 1 1/2" Ø BOLTS.
- SIX RELOCKING DEVICES MECHANICAL / THERMIC.
- LARGE GLASS PLATE SECURING COMBINATION LOCKS AND RELOCKING DEVICES.

### LOCKS

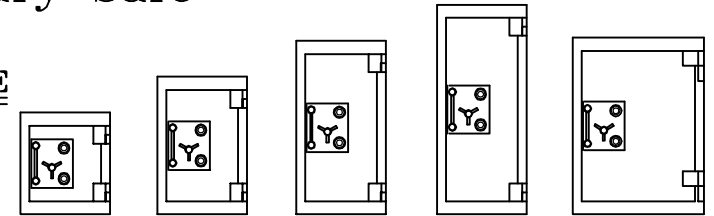
- DOOR FITTED WITH :
- (2) THREE WHEEL GROUP 1 COMBINATION LOCKS.
  - OR - (1) GROUP 1 COMBINATION LOCK AND 1 KEY-OP LOCK.

### OPTIONS

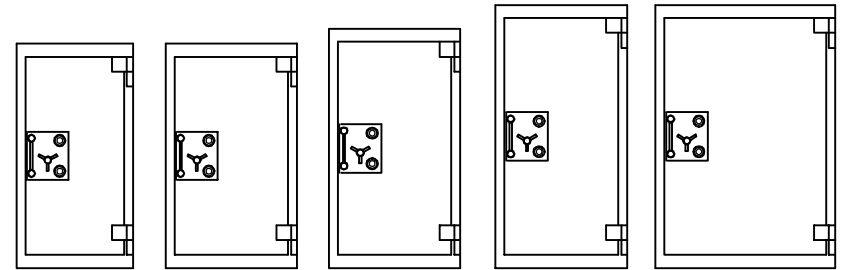
- ⚠ YOKE (Not available for 2420-20 model).
- ONLY AVAILABLE WITH (2) FOUR WHEEL GROUP 1 (INDIRECT DRIVE) COMBINATION LOCKS.

### TIMELOCK

- TWO OR THREE MOVEMENTS AS SPECIFIED.



**2420** 5.56 cu.ft.  
**3620** 8.33 cu.ft.  
**4820** 11.11 cu.ft.  
**6020** 13.89 cu.ft.  
**4934** 25.07 cu.ft.



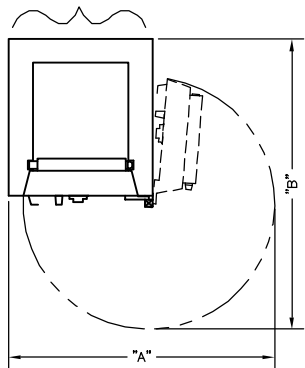
**6529** 21.81 cu.ft.  
**6534** 25.58 cu.ft.(20" D.)  
33.25 cu.ft.(26" D.)  
**7034** 35.81 cu.ft.  
**7834** 39.9 cu.ft.  
**7850** 58.68 cu.ft.

SPECIAL SIZE AVAILABLE ON REQUEST.

NOTE : MANUFACTURED CERTIFIED SECURIFORT SAFE BUILT TO ULC S324-93 STANDARDS.

### SIZE

FOUR DIFFERENT WIDTHS AVAILABLE  
20" - 29" - 34" - 50".



MODELS	DOOR SWING DIMENSIONS		INSIDE DIMENSIONS			OUTSIDE DIMENSIONS			OVERALL DEPTH	WEIGHT Class 4	WEIGHT Class 5	SHELVES QTY
	"A"	"B"	HEIGHT	WIDTH	DEPTH	HEIGHT	WIDTH	DEPTH				
2420-20	55 1/2"	60 3/4"	24"	20"	20"	34"	30"	32 3/4"	35 1/4"	2225 lbs	2450 lbs	2
3620-20	55 1/2"	60 3/4"	36"	20"	20"	46"	30"	32 3/4"	35 1/4"	2875 lbs	3150 lbs	3
4820-20	55 1/2"	60 3/4"	48"	20"	20"	58"	30"	32 3/4"	35 1/4"	3500 lbs	3850 lbs	4
6020-20	55 1/2"	60 3/4"	60"	20"	20"	70"	30"	32 3/4"	35 1/4"	4150 lbs	4550 lbs	5
4934-26	83"	81"	49"	34"	26"	59"	44"	38 3/4"	41 3/4"	5695 lbs	6075 lbs	4
6529-20	73"	70"	65"	29"	20"	75"	39"	32 3/4"	35 3/4"	5205 lbs	5680 lbs	5
6534-20	83"	75"	65"	34"	20"	75"	44"	32 3/4"	35 3/4"	5770 lbs	6275 lbs	5
6534-26	83"	81"	65"	34"	26"	75"	44"	38 3/4"	41 3/4"	6475 lbs	7075 lbs	5
7034-26	83"	81"	70"	34"	26"	80"	44"	38 3/4"	41 3/4"	6870 lbs	7500 lbs	6
7834-26	83"	81"	78"	34"	26"	88"	44"	38 3/4"	41 3/4"	7450 lbs	8125 lbs	6
7850-26	115"	95 3/4"	78"	50"	26"	88"	60"	38 3/4"	41 3/4"	9400 lbs	10225 lbs	6



**SENTINEL SAFE**  
Class 4 & 5.

DATE	DRAWN BY	DRAWING NO
30 09 96	RM	PB 505